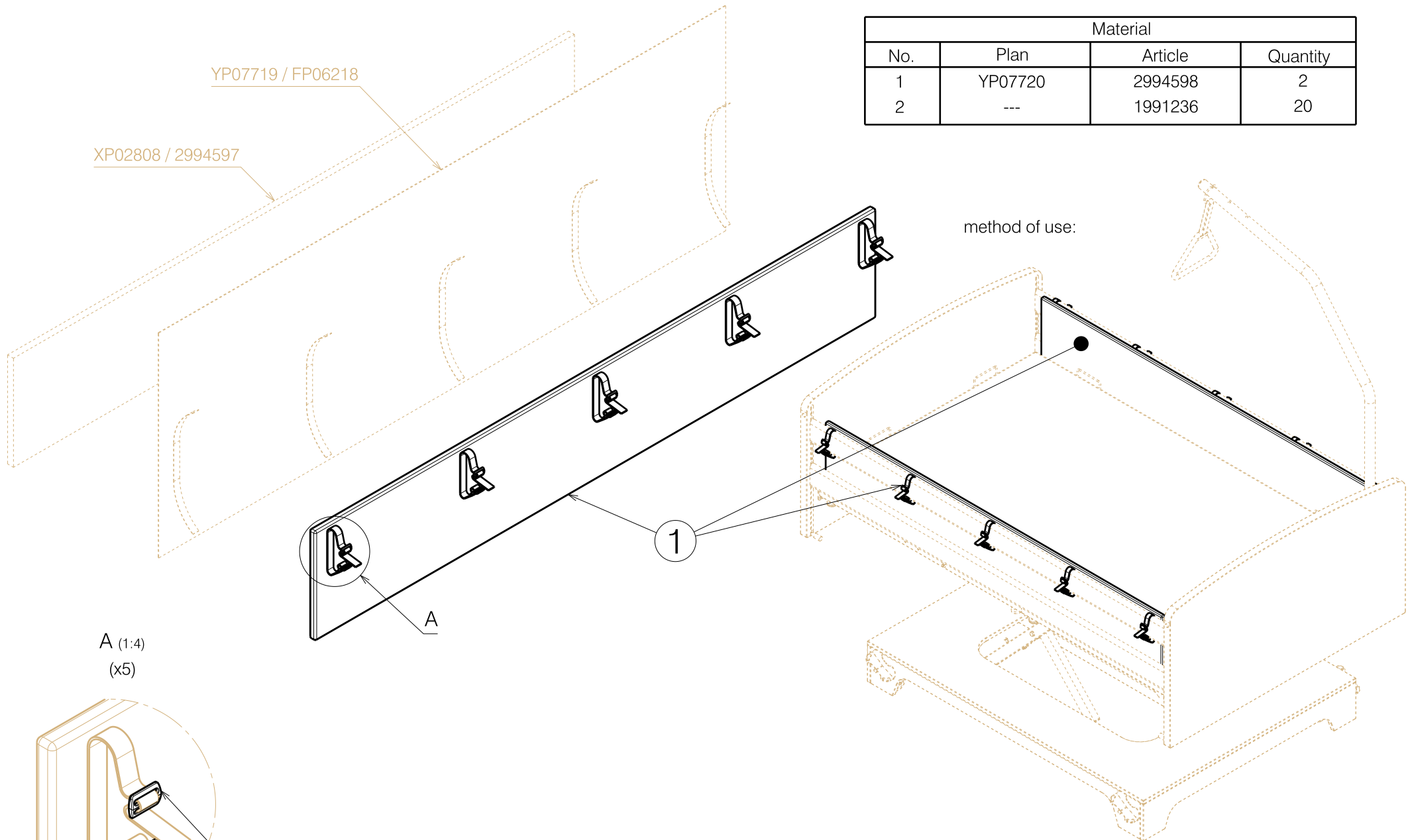
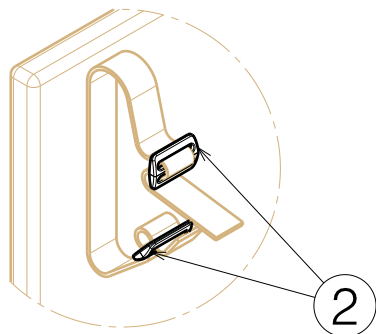


| Material | | | |
|----------|---------|---------|----------|
| No. | Plan | Article | Quantity |
| 1 | YP07720 | 2994598 | 2 |
| 2 | --- | 1991236 | 20 |



A (1:4)
(x5)



EP00456 / A

| ONE SIDE PROTECTION CUSHION FOR WOODEN SIDE RAILS | | | | Plan No. |
|--|------------|------------|------------|-------------|
| | | | | EP00456 / A |
| Scale: 1:12 | Drafted | Verified | Confirmed | |
| Date | 25/09/2019 | 25/09/2019 | 25/09/2019 | |
| Initials | AZ | TK | TK | |