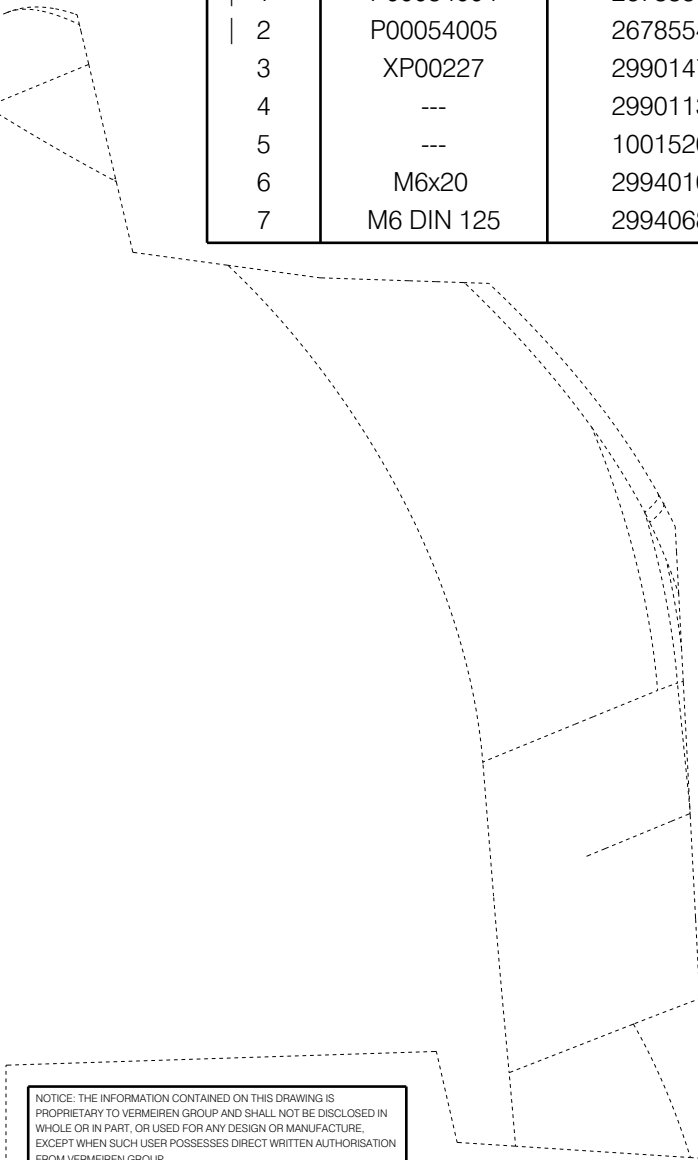
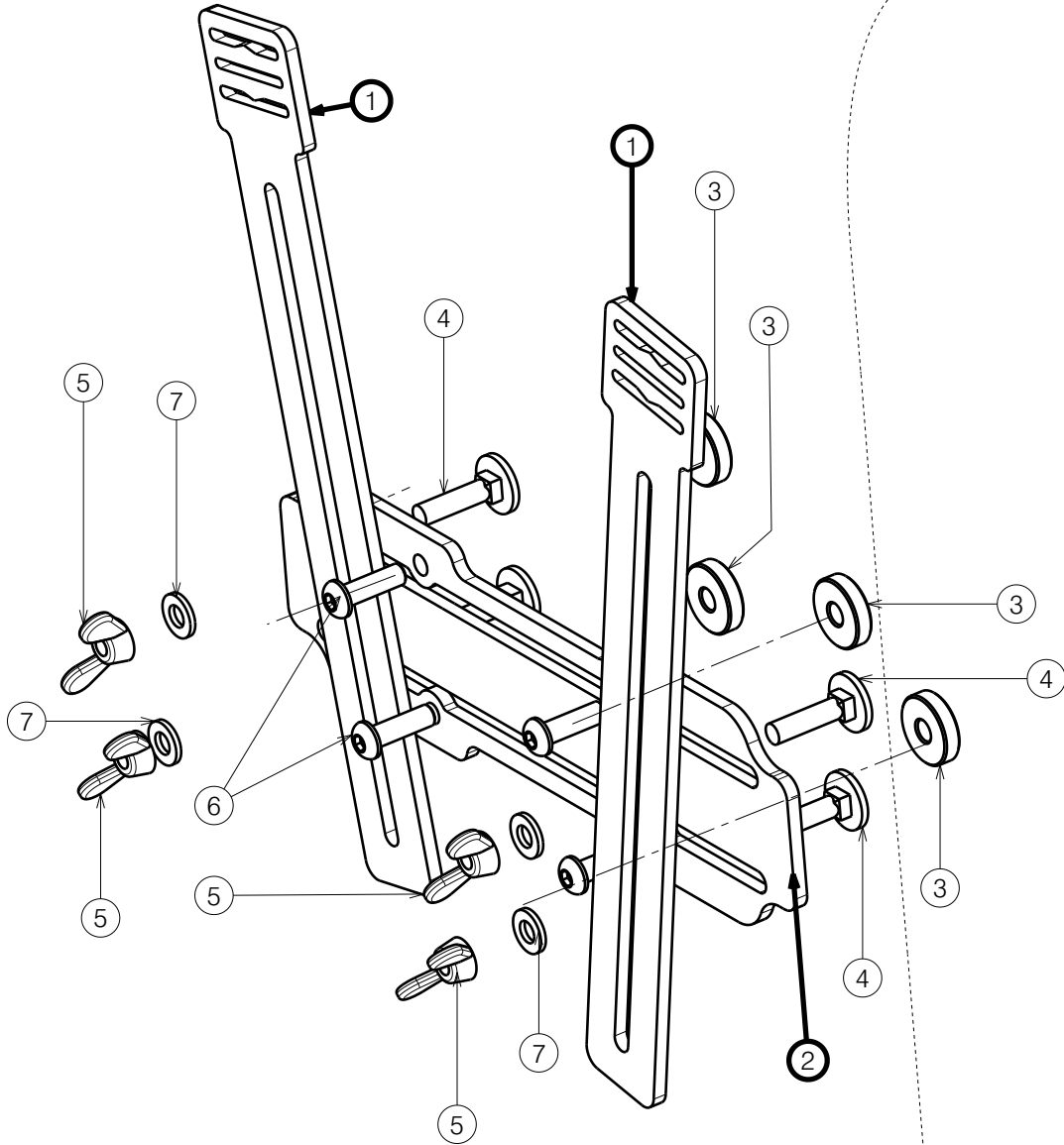



Bill of Material			
No.	Plan	Article	Quantity
1	P00054004	2678354	2
2	P00054005	2678554	1
3	XP00227	2990147	4
4	---	2990113	4
5	---	1001520	4
6	M6x20	2994010	4
7	M6 DIN 125	2994068	4



NOTICE: THE INFORMATION CONTAINED ON THIS DRAWING IS PROPRIETARY TO VERMEIREN GROUP AND SHALL NOT BE DISCLOSED IN WHOLE OR IN PART, OR USED FOR ANY DESIGN OR MANUFACTURE, EXCEPT WHEN SUCH USER POSSESSES DIRECT WRITTEN AUTHORISATION FROM VERMEIREN GROUP.

NEOFLEX FASTENING SYSTEM				---
				Plan No. E00064900/B.1
Scale: 1:2	Drafted	Verified	Confirmed	
Date	07.03.2023	10/01/2024	10/01/2024	
Initials	AS	PM	AS	