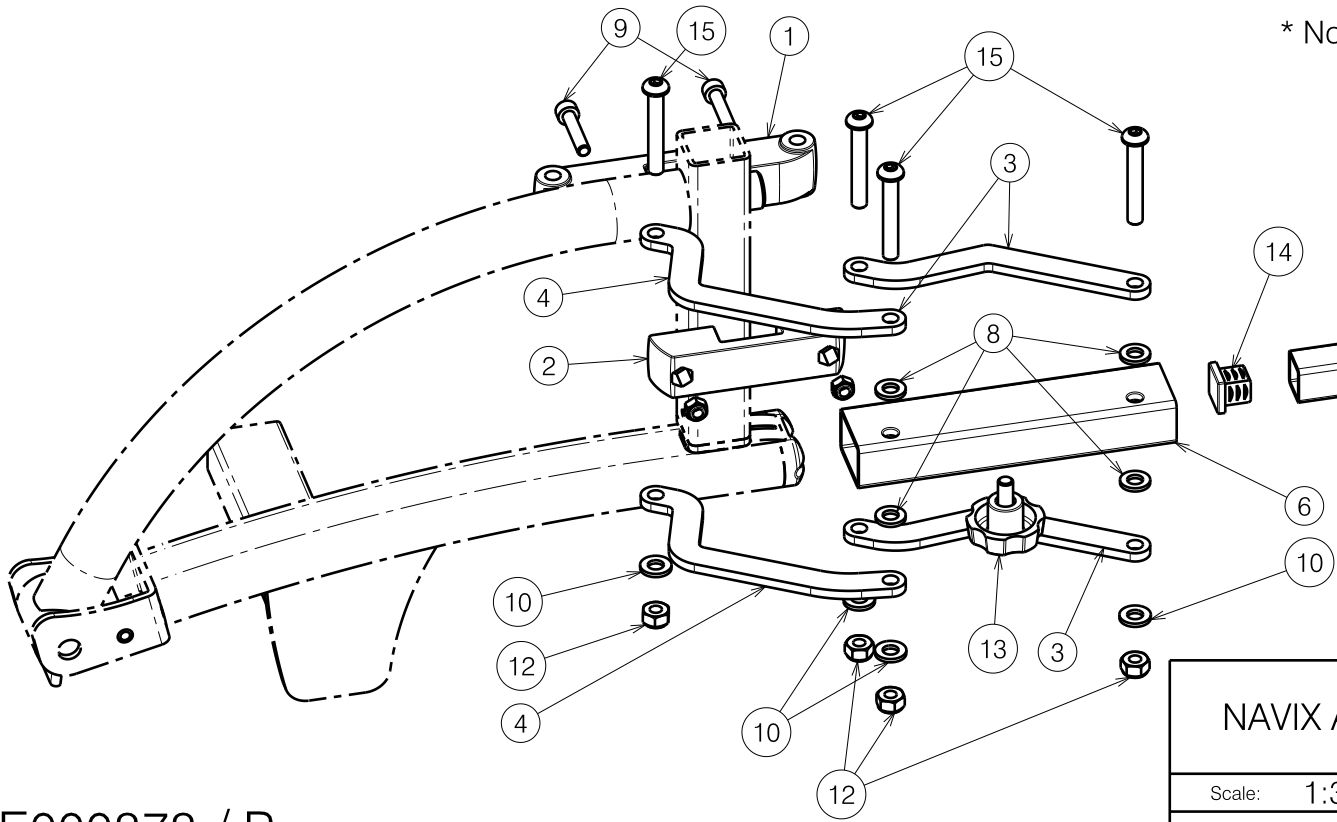
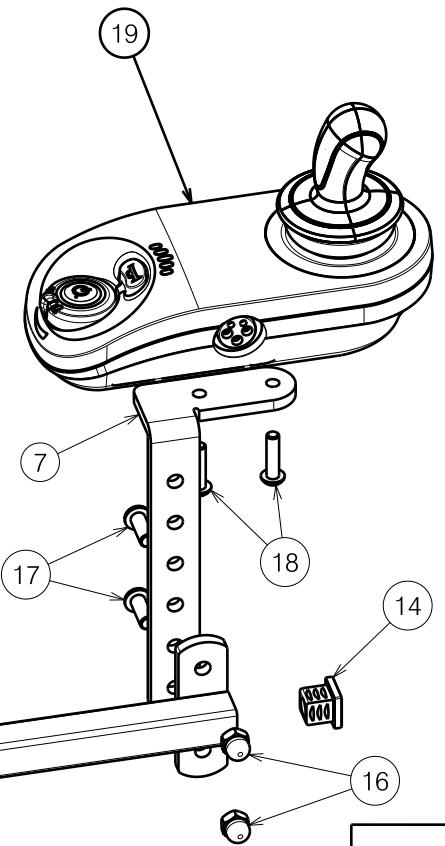


Material							
No.	Plan	Article	Quantity	No.	Plan	Article	Quantity
1	X004963	1907439	1	13	M6X10	1003658	1
2	X004964	1907440	1	14	---	1005899	2
3	Y017951	1762654	2	15	M6X40 ISO7380	1006111	4
4	Y017957	1762754	2	16	M6	1008492	2
5	Y017953	1762354	1	17	M6X16 ISO7380	1008459	2
6	Y017960	1762454	1	18	M5X20 ISO7380	1998368	2
7	Y019870	1787954 (R)	1	19	Drive only	1909020	1
	Y019871	1787854 (L)	1		Drive only, conv. joy.	1910700	1
8	M6 DIN 125A	1000973	4		SE39	1912296	1
9	M5X25 DIN 912	1001490	2		SE19 ACT5	1912305	1
10	M6 DIN125A	1001564	4		LCD+Joystick	1913523	1
11	M5 DIN985	1001679	2	20*	1 m	1900922	1
12	M6 DIN985	1001680	4				



* Not depicted

2991997

E000878 / B

NAVIX ADJUSTABLE LYNX CONTROLLER				Plan No. E000878 / B
Scale: 1:3	Drafted	Verified	Confirmed	
Date	21/05/2013	02/07/2021	02/07/2021	
Initials	SD	SD	PJ	