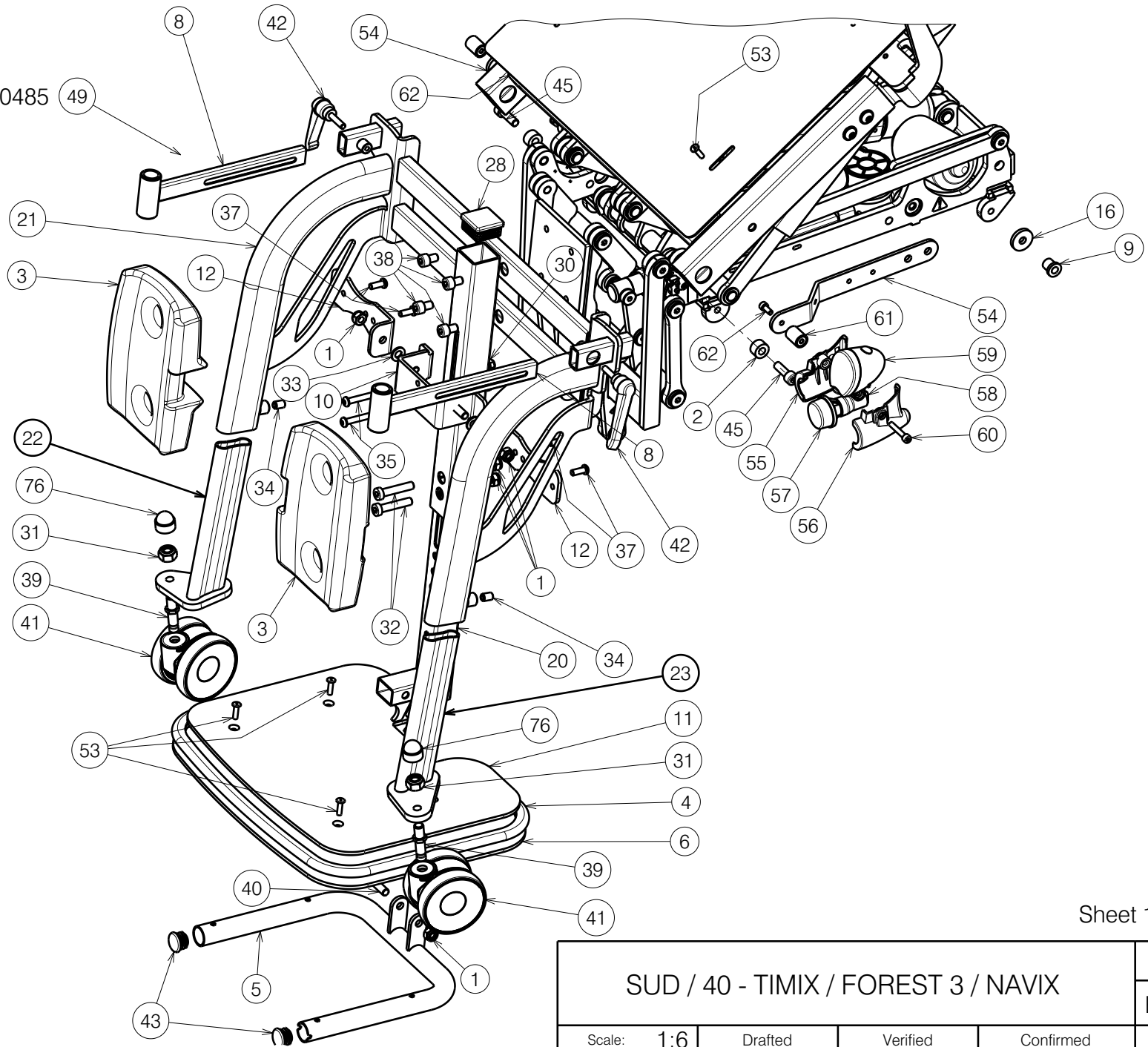



Knee support E000485

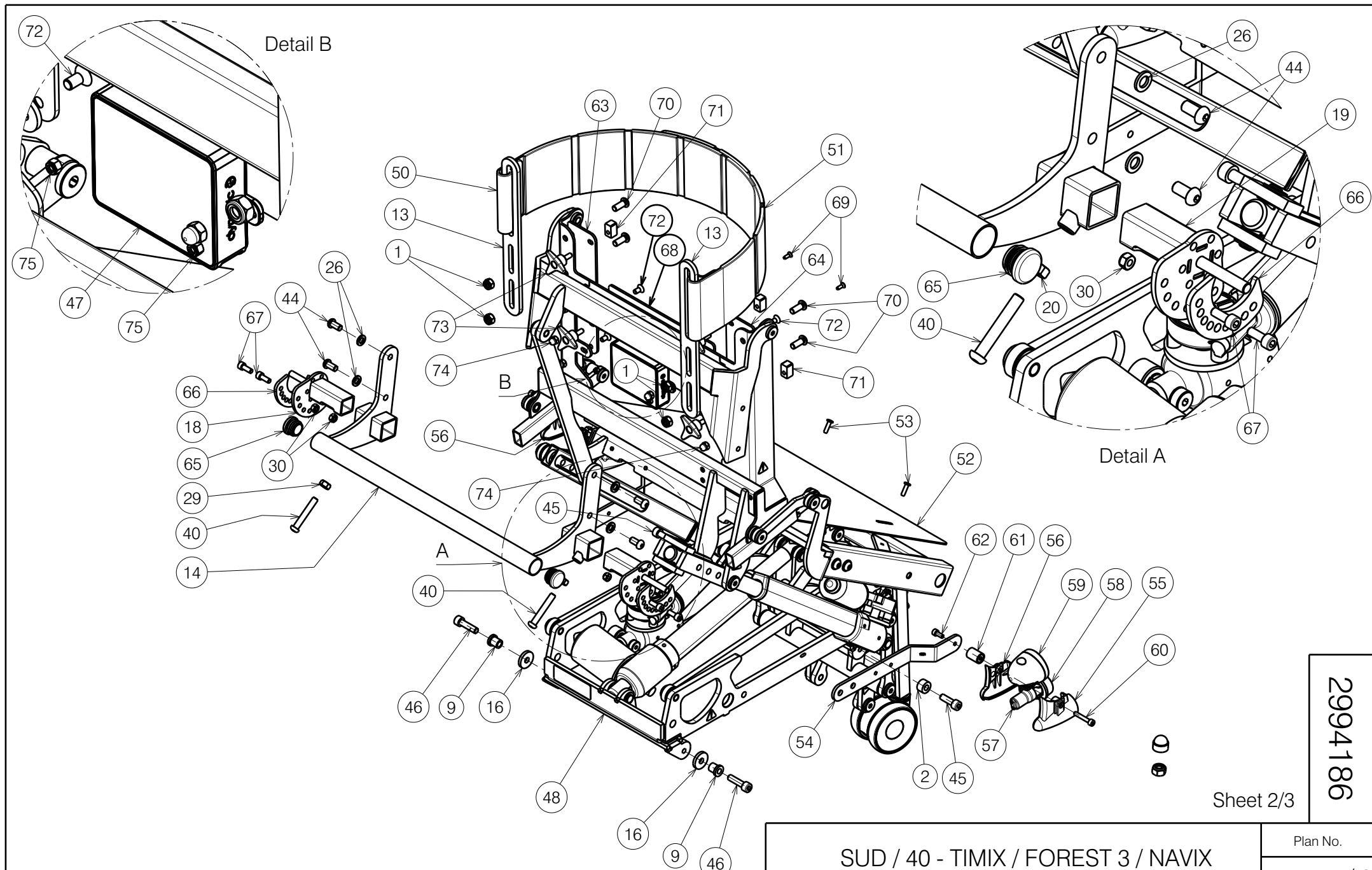


Sheet 1/3

2994186

E001117 / G


SUD / 40 - TIMIX / FOREST 3 / NAVIX				Plan No. E001117 / G
Scale: 1:6	Drafted	Verified	Confirmed	
Date	23/10/2018	11/07/2022	11/07/2022	
Initials	SD	SD	PJ	



2994186

Sheet 2/3

E001117 / G

SUD / 40 - TIMIX / FOREST 3 / NAVIX				Plan No.
				E001117 / G
Scale: 1:5	Drafted	Verified	Confirmed	
Date	23/10/2018	11/07/2022	11/07/2022	
Initials	SD	SD	PJ	


Material											
No.	Plan	Article	Quantity	No.	Plan	Article	Quantity	No.	Plan	Article	Quantity
1	X001016	1001682	9	41	Φ75	1918369	2	70	M8x20 ISO7380	1992349	4
2	X003329	1996776	2	42	M6x25	1902933	2	71	X002239	1494600	4
3	X004785	1905949	2	43	Φ22	1990648	2	72	M6x12 DIN7991	1908566	4
4	4mm	1906976	1	44	M8x16 ISO7380	1991858	4	73	M6x15	1009932	4
5	Y013036	1699554	1	45	X001813	1001499	2	74	M6 DIN986	1008492	4
6	Y013807	1699754	1	46	M8X30 DIN912	1992581	2	75	M4 DIN985	1001678	2
7	XP00099	2990067	2	47	ACT 2	1912304	1	76	M10	1006355	2
8	Y014362	1703100	2	48	---	1914907	1				
9	X003403	1617400	2	49	E000485	1903194	1				
10	Y018160	1776854	1	50	X005862	1915518	1				
11	Y017773	1755754	1	51	X005863	1915519	1				
12	Y018367	1778154	2	52	Y020905	2007754	1				
13	Y020081	1794154	2	53	Φ4.8x17	1001586	8				
14	Y022964	2053254	1	54*	Y020906	2007854	2				
16	X004048	1902685	2	55*	X004942	1907377	2				
18	Y023362	2055154	1	56*	X004943	1907376	2				
19	Y023363	2055254	1	57*	---	1991679	2				
20	Y022062	2023054	1	58*	---	1991680	2				
21	Y020119	1793354	1	59*	---	1907340	2				
22	Y020138	1793654	1	60*	M5X30 DIN912	1903983	2				
23	Y020139	1793554	1	61*	---	1910745	2				
26	M8 DIN125	1001556	8	62*	M5X12 DIN912	1001489	2				
28	---	1001618	1	63	P00029441	2082254	1				
29	M8 DIN934	1001671	2	64	P00028002	2082354	1				
30	M6 DIN985	1001680	6	65	Φ25	1001608	2				
31	M10 DIN985	1001683	2	66	Y020143	2002854	2				
32	M8X40 DIN7984	1003066	2	67	M6x16 DIN912	1001492	4				
33	M8 DIN125	1003199	2	68	P00027997	2081954	1				
34	M8x12 DIN916	1004885	2	69	M4X12 DIN7991	1908087	2				
35	M6x50 ISO7380	1006997	2								
36	M6x20 ISO7380	1006999	2								
37	M6x16 ISO7380	1008459	6								
38	M8X12 DIN91	1008963	4								
39	---	2992514	2								
40	M8x50 ISO7380	1902483	3								

* Optional Lighting

Sheet 3/3

2994186

E001117 / G

SUD / 40 - TIMIX / FOREST 3 / NAVIX				Plan No.
				E001117 / G
Scale: 1:5	Drafted	Verified	Confirmed	
Date	23/10/2018	11/07/2022	11/07/2022	
Initials	SD	SD	PJ	