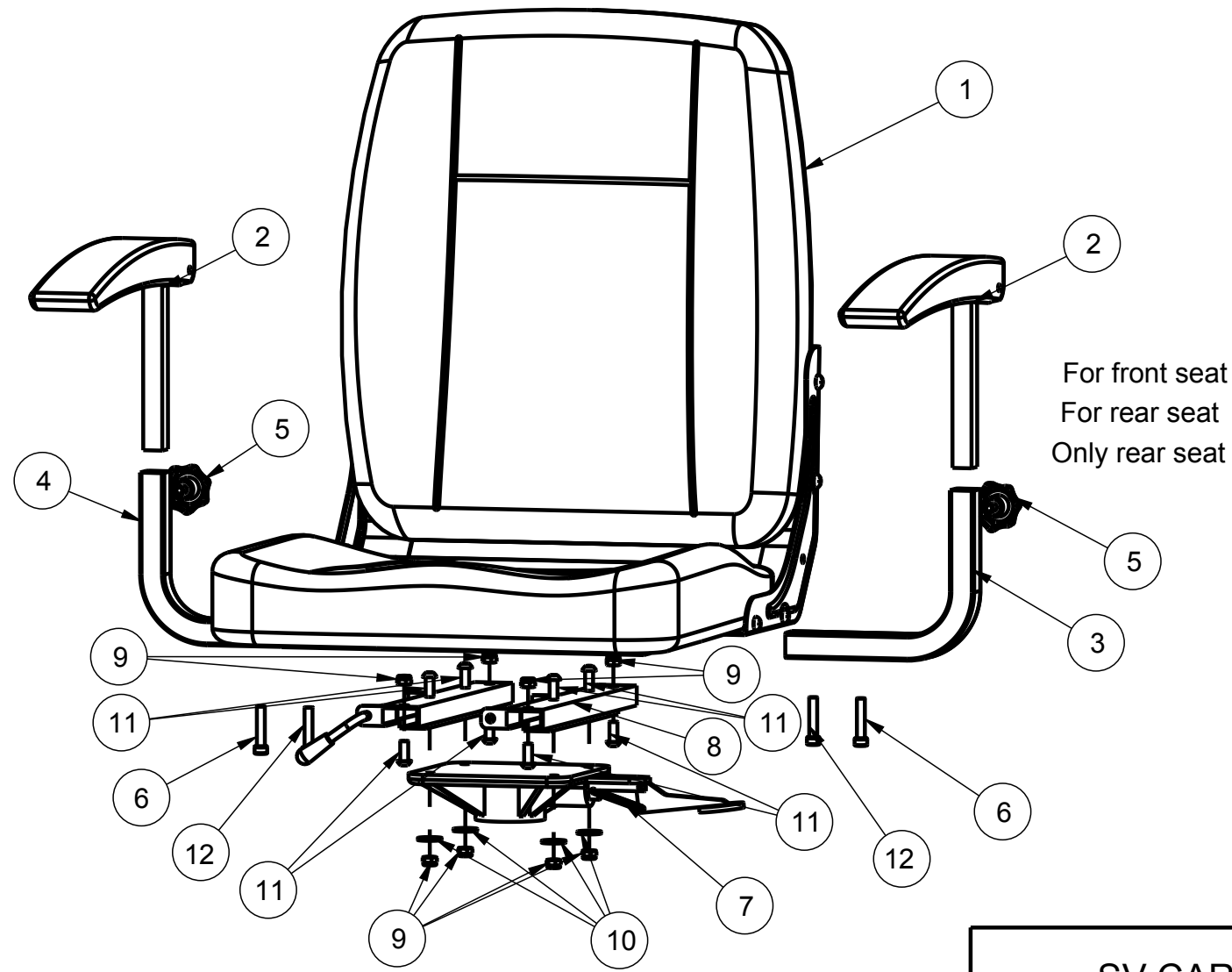


Material

No.	Plan	Article	Number
1	---	3991509	1
2	---	3991519(L) 3991585(R)	1 1
3	YC01219	1C39804	1
4	YC01217	1C39704	1
5	---	3991520	2
6	---	1003066	2
7	---	3990635	1
8	---	3990634	1
9	---	1001682	8
10	---	3991101	4
11	---	1001499	8
12	---	1003066	2
	---	1009569	2
*13	YC01252	1C40304	1



For front seat  
For rear seat  
Only rear seat

\*YC01252 not depicted

EC00208/A

<b>SV CARPO LIMO SEAT</b>				Plan No.
				EC00208/A
Scale:3:20	Drafted	Verified	Confirmed	
Date	07/01/2014	07/01/2014	07/01/2014	
Init.	JC	JC	TG	