
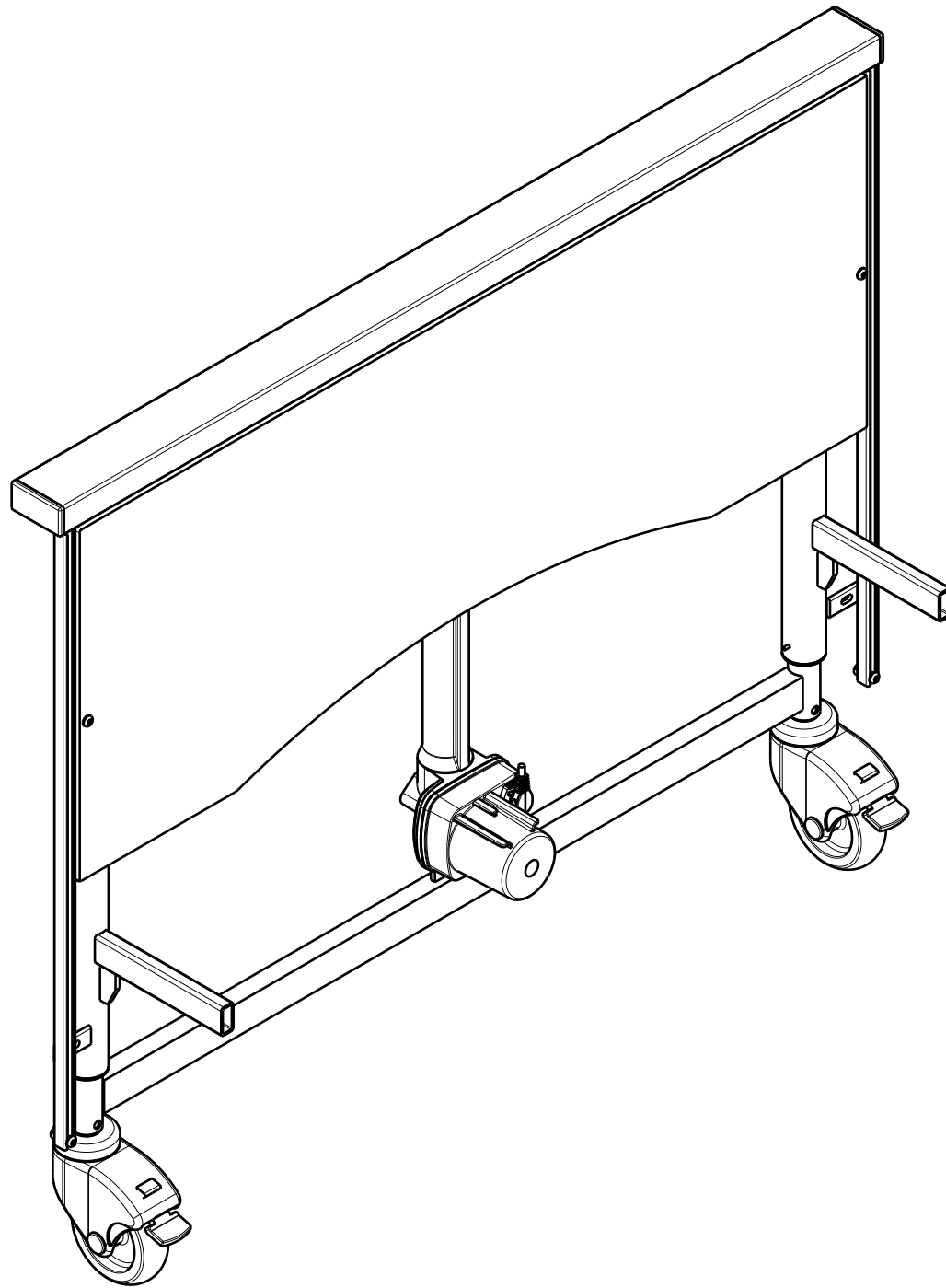


NOTICE: THE INFORMATION CONTAINED ON THIS DRAWING IS PROPRIETARY TO VERMEIREN GROUP AND SHALL NOT BE DISCLOSED IN WHOLE OR IN PART, OR USED FOR ANY DESIGN OR MANUFACTURE, EXCEPT WHEN SUCH USER POSSESSES DIRECT WRITTEN AUTHORISATION FROM VERMEIREN GROUP.

FRONT/REAR PANEL CLUB				---
				Plan No. E00045307/D1.1
Scale: 1:6	Drafted	Verified	Confirmed	
Date	2022-10-11	2024-02-06	2024-02-06	
Initials	OY	PM	AZ	



No.	Plan	Article	Qty
1	P00031445	2650437	1
2	P00036728	2650337	1
3*	P00038021 ---*	2995533 1903974*	2 2*
4	P00036722	2995560	1
5	M10x40 ISO7380	1992592	1
6	X002822	1995716	2
7	M12 DIN127A	1001572	2
8	M6x20 ISO7380	1006999	4
9	M12x30 DIN912	1009318	2
10	Motor LA24	1918547	1
11	3x8 DIN7343	1993130	4
12	Cap 30x60	2990295	2
13	M6x12	1008492	2
14	M10 DIN985	1001683	2
15	Wheel D100	1001252	2
16	M10x45 ISO7380	1908848	1
17	D20XD10,5X8	1991841	1

\* - use to end of stock

NOTICE: THE INFORMATION CONTAINED ON THIS DRAWING IS PROPRIETARY TO VERMEIREN GROUP AND SHALL NOT BE DISCLOSED IN WHOLE OR IN PART, OR USED FOR ANY DESIGN OR MANUFACTURE, EXCEPT WHEN SUCH USER POSSESSES DIRECT WRITTEN AUTHORISATION FROM VERMEIREN GROUP.

				---
FRONT/REAR PANEL CLUB				Plan No.
				2/2 E00045307/D1.1
Scale: 1:6	Drafted	Verified	Confirmed	
Date	2022-10-11	2024-02-06	2024-02-06	
Initials	OY	PM	AZ	