

Isometric view
Scale: 1:7

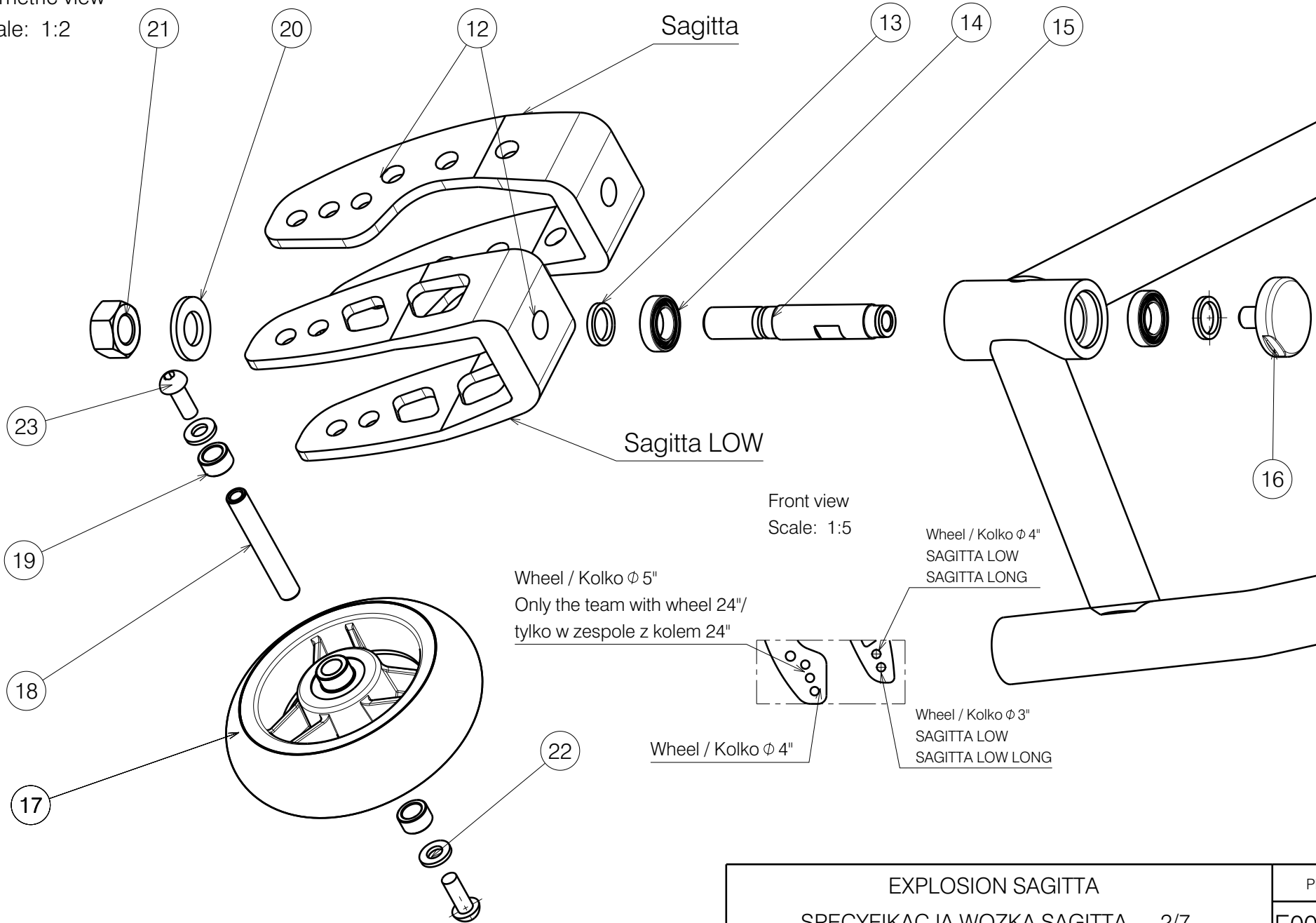
E000481/L

EXPLOSION SAGITTA				Plan No.
SPECYFIKACJA WOZKA SAGITTA 1/7				E000481/L
Scale	1:7	Drafted	Verified	Confirmed
Date	31/07/2008	30/03/2023	30/03/2023	
Init.	RM	PM	AS	



Isometric view

Scale: 1:2



Front view
Scale: 1:5

Wheel / Kolko Φ 4"
SAGITTA LOW
SAGITTA LONG

Wheel / Kolko Φ 3"
SAGITTA LOW
SAGITTA LOW LONG

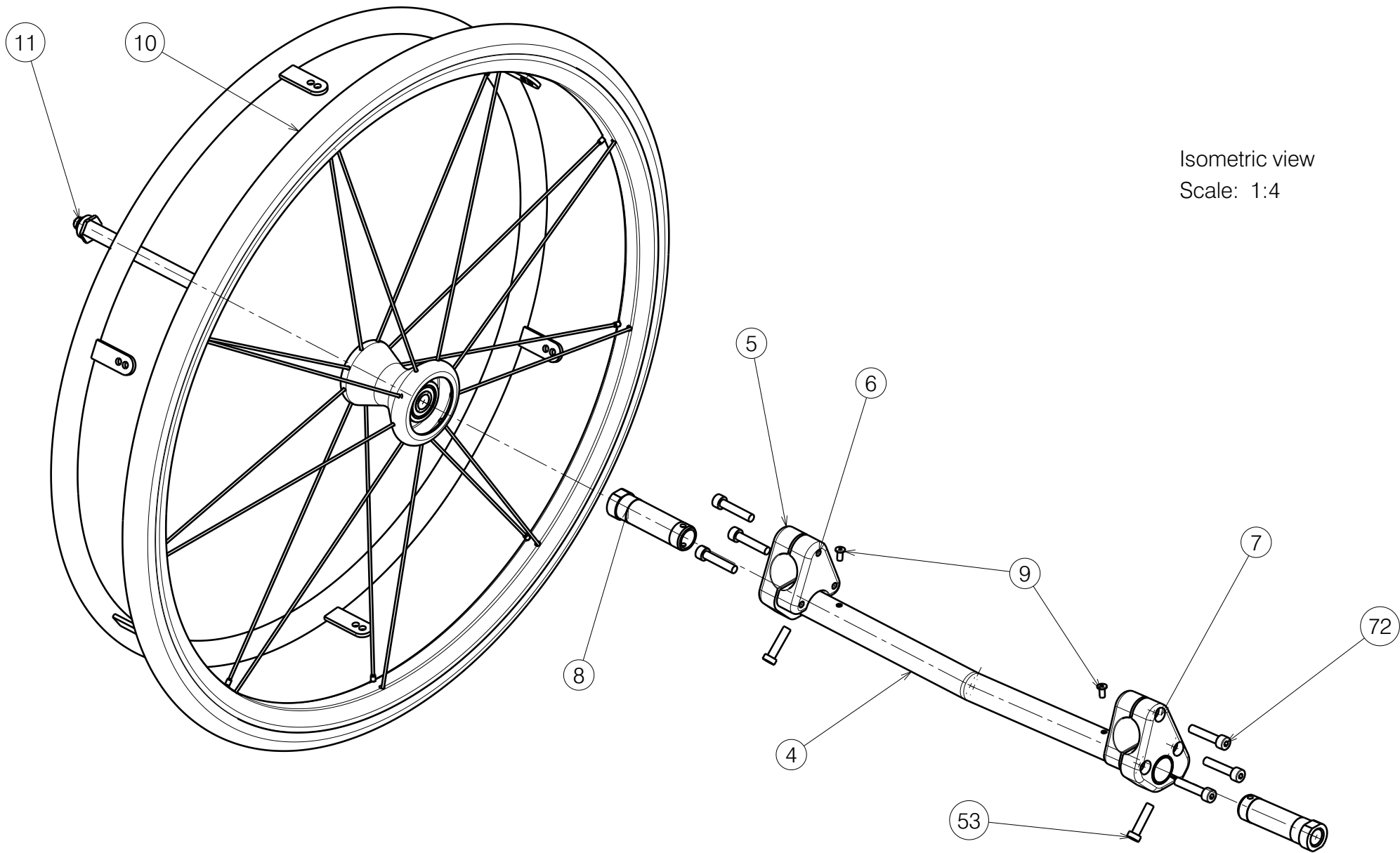
Wheel / Kolko Φ 4"

Wheel / Kolko Φ 5"
Only the team with wheel 24"/
tylko w zespole z kołem 24"

E000481 /L

EXPLOSION SAGITTA				Plan No.
SPECYFIKACJA WOZKA SAGITTA 2/7				E000481 /L
Scale	1:2	Drafted	Verified	Confirmed
Date	31/07/2008	30/03/2023	30/03/2023	
Init.	RM	PM	AS	





Isometric view
Scale: 1:4

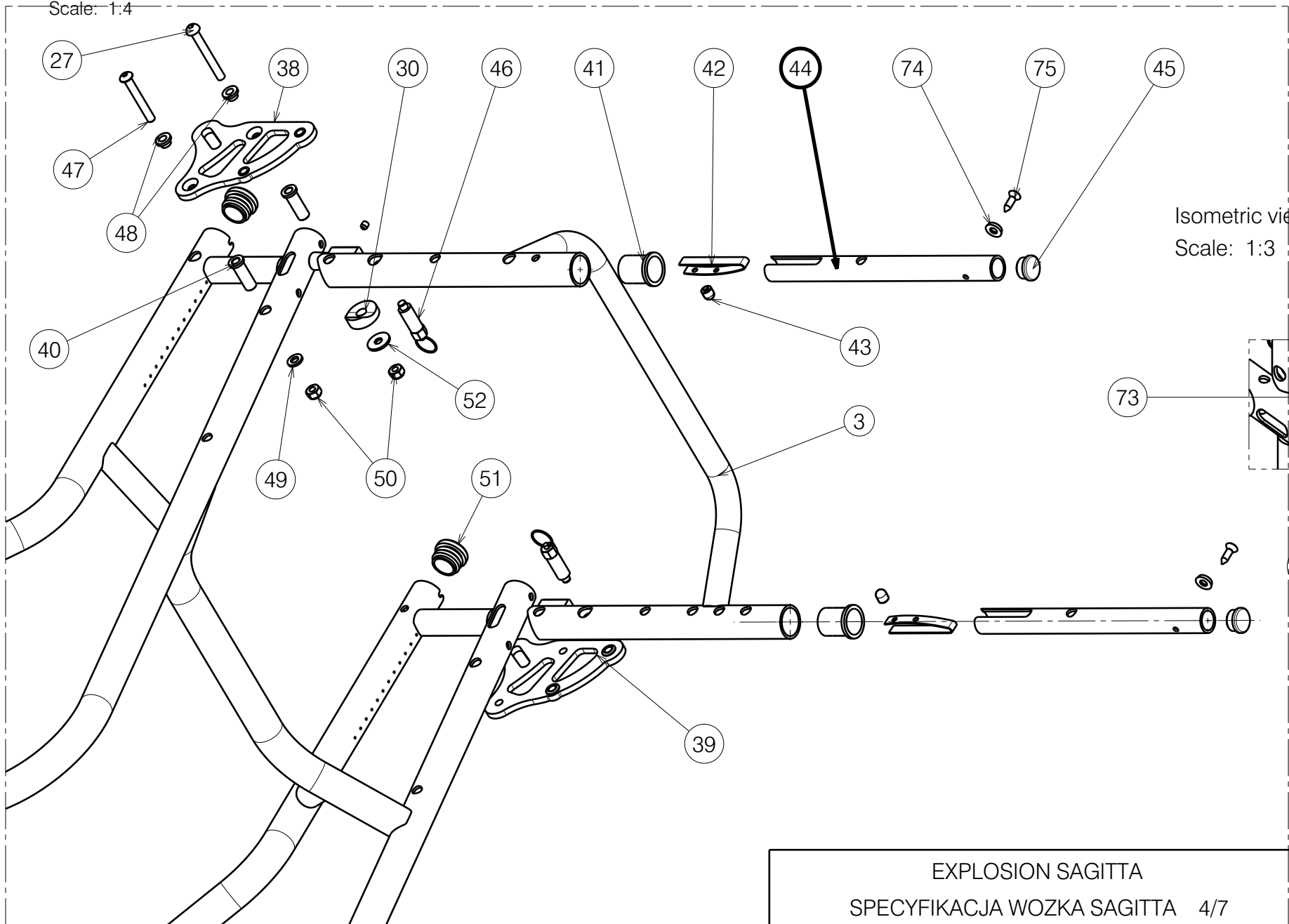
E000481/L

EXPLOSION SAGITTA				Plan No. E000481/L
SPECYFIKACJA WOZKA SAGITTA 3/7				
Scale	1:4	Drafted	Verified	Confirmed
Date	31/07/2008	30/03/2023	30/03/2023	30/03/2023
Init.	RM	PM	AS	



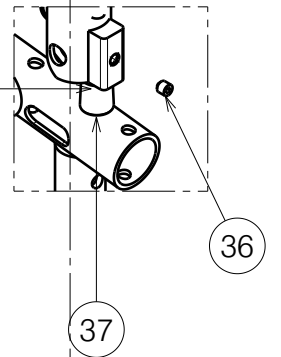
Isometric view

Scale: 1:4



Isometric view

Scale: 1:3



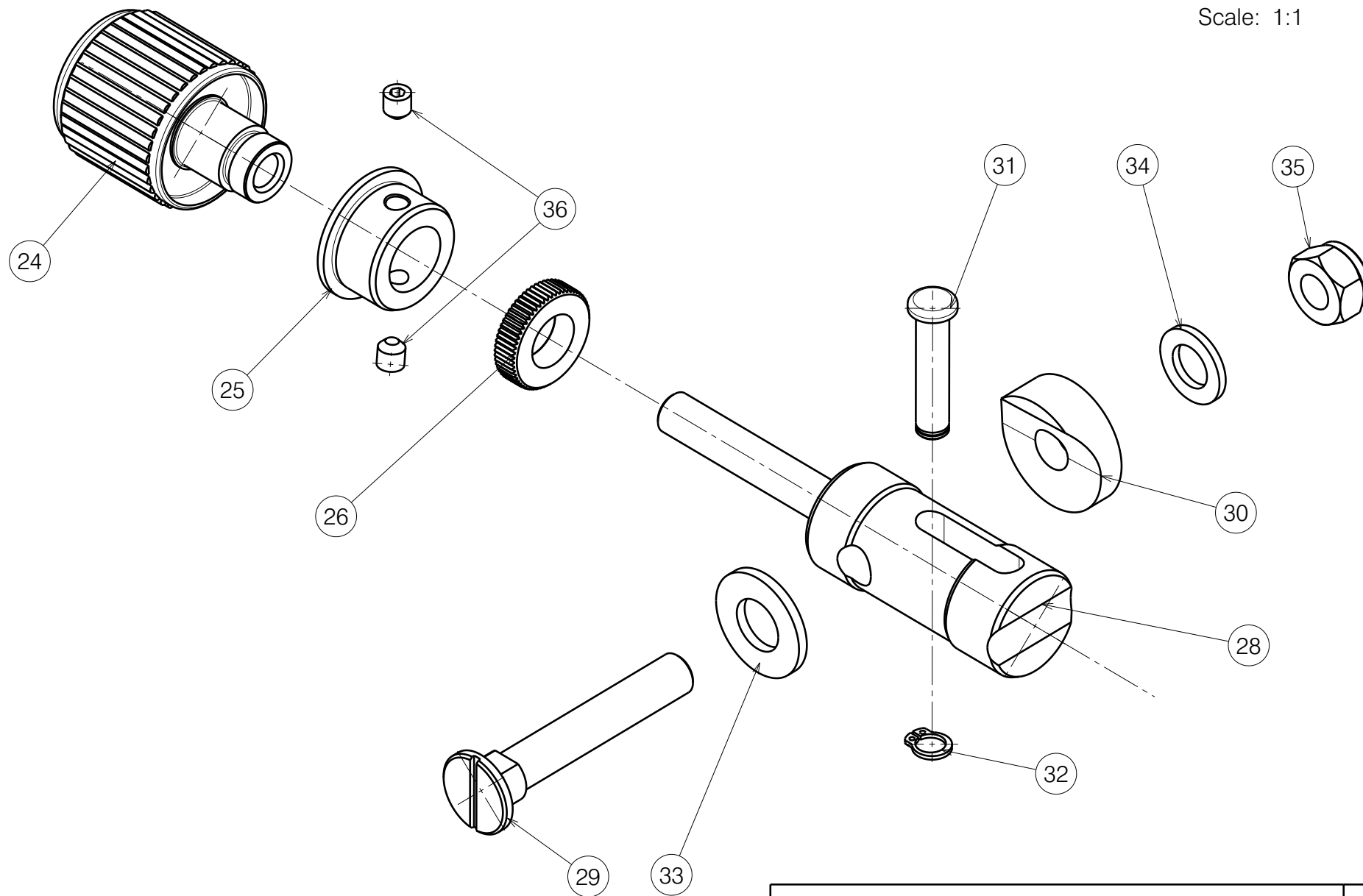
E000481 /L

EXPLOSION SAGITTA				Plan No.
SPECYFIKACJA WOZKA SAGITTA 4/7				E000481/L
Scale	1:4	Drafted	Verified	Confirmed
Date	31/07/2008	30/03/2023	30/03/2023	30/03/2023
Init.	RM	PM	AS	



Isometric view

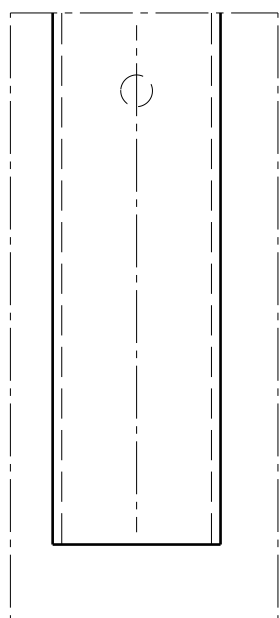
Scale: 1:1



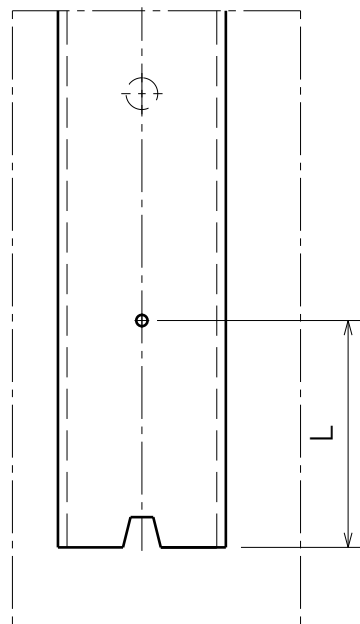
E000481 /L

EXPLOSION SAGITTA				Plan No.
SPECYFIKACJA WOZKA SAGITTA 5/7				E000481/L
Scale	1:1	Drafted	Verified	Confirmed
Date	31/07/2008	30/03/2023	30/03/2023	30/03/2023
Init.	RM	PM	AS	

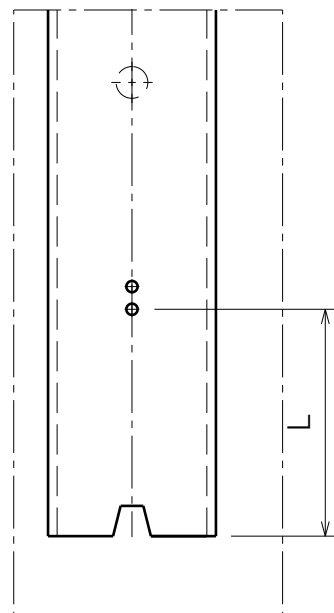




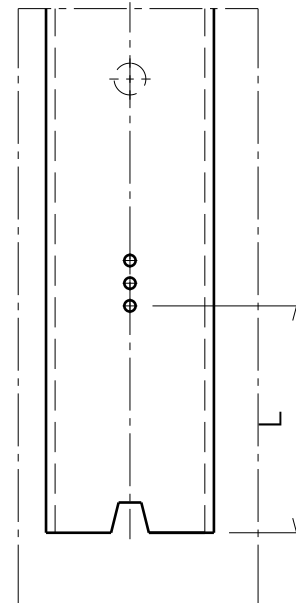
0°



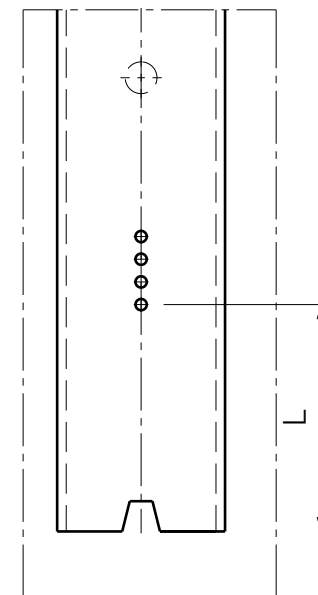
2°



4°



6°



8°

AXLES OF WEELS / OSIE KOL

Lenght / Dlugosc L (mm)	Width / Szerokosc wozka (cm)
10	36
30	38
50	40
70	42
90	44
100	46

E000481 /L

EXPLOSION SAGITTA SPECYFIKACJA WOZKA SAGITTA 6/7				Plan No.
				E000481/L
Scale 1:1	Drafted	Verified	Confirmed	
Date	31/07/2008	30/03/2023	30/03/2023	
Init.	RM	PM	AS	

Material			
No./Nr	Plan/Nr rys.	Article/Artykul	Number/Ilosc
1	Frame		
2	Footrest	E000401	-
3	Backrest		
4	YP01268	18534	1
5	XP00353	1862554	1
6	XP00352	1862654	2
7	XP00351	1862754	1
8	XP00386	2990417	2
	XP00454	2990349	2
9	D4x8	2990307	2
10		2990317	2
11	MBL628278	2990330(24")	2
	MBL618353	1991876(22")	2
12	XP00385	18707(Low)	2
	XP00336	18628	2
13	X000188	G0785	4
14		1003276	4
15	XP00338	18538	2
16	XP00340	18548	2
17	KNSTF 3"	2990568	2
	KNSTF 4"	2990348	2
	KNSTF 5"	2990328	2
18	XP00341	1854900	2
19	XP00339(4",5"-normal)	GP00044	4
	XP00680 (4",5"-led;3",4"-trans)	2990917	4
20		1003369	2
21	M12x1,25	1994605	2
22		1001564	4
23	M6x16	1008459	4
24	XP00535	2990627	2
25	XP00345	2990310	2
26	XP00390	2990459	2
27	M6x50	1007970	2
28	XP00405	GP00054	2
29	XP00346	1853900	2
30	XP00369	GP00045	4

Material			
No./Nr.	Plan/Nr rys.	Article/Artykul	Number/Ilosc
31	XP00392	GP00055	2
32	D6	2990462	2
33		1001557	2
34		1001554	2
35	M8	1001682	2
36	M5x5	1991323	6
37		1900072	2
38	YP01730	18772	1
39	YP01731	18897	1
40	XP00365	18553	4
41	XP00357	2990300	4
42	Y000462	F000050	2
43	X000273	G060600	2
44	YP01257	18533..	2
	YP01438	18631..	2
	YP01439	18632..	2
	YP01440	18633..	2
45		1001602	2
46	GN717-6-AK	2990301	2
47	M6x45	1003109	2
48		2990164	12
49		1000973	2
50	M6	1001680	8
51		1991857	2
52	D6xD18x1,6	1997328	2
53	M6x25	1001494	2
54	M6x12	1005949	2
55	XP00350	18550	2
56	MBL 674001	2990321	2
57	MBL 673074	2990319	1
58	MBL 673073	2990320	1

Material			
No./Nr.	Plan/Nr rys.	Article/Artykul	Number/Ilosc
59	L	1992929	1
60	R	1992930	1
61	YP01689	18766	1
*	YP05038*	28981*	1*
62	YP02932	28181	2
*	YP05037*	28980*	2*
63	XP00366	2990331	4
64	YP01715	18767	1
*	YP05039*	28982*	1*
65	XP00412	2990456	4
66	D4X14	1001584	7
67	XP00422	2990457	4
68	M6x40	1991017	4
69	YP01328	18653	2
70		2990351	2
71	YP01435	18624/18652	1
72	M6x30	1001495	6
73	M6x30	1001432	2
74	X001473	1002994	2
75	4,8x16	1001534	2
76	---	1003299	0,9 M
** 77	BA6	E000410	---
** 78	PH05(Ø19)	EP00085	---
	PH05(Ø22)	EP00648	---
** 79	B78	E000408	---
** 80	PH03	EP00647	---

Material INOX			
No./Nr	Plan/Nr rys.	Article/Artykul	Number/Ilosc
21	M12x1,25	2990535	2
23	M6x16	2990537	4
27	M6x50	2990562	2
35	M8	2990534	2
47	M6x45	2990542	2
50	M6	2990533	8
53	M6x25	2990538	2
54	M6x12	2990536	2
68	M6x40	2990541	4
72	M6x30	2990540	6
73	M6x30	2990539	2

EXPLOSION SAGITTA				Plan No.
SPECYFIKACJA WOZKA SAGITTA 7/7				E000481/L
Scale 1:1	Drafted	Verified	Confirmed	
Date	31/07/2008	30/03/2023	30/03/2023	
Init.	RM	PM	AS	

* - option for France

** - not depicted

E000481/L