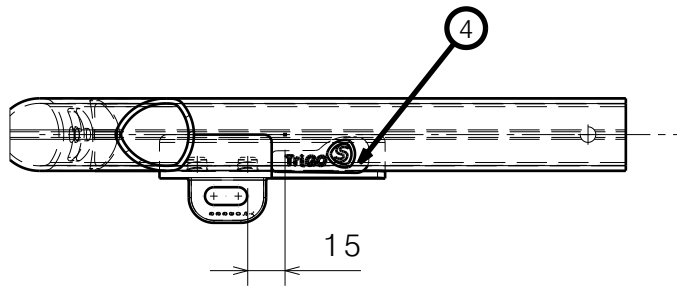
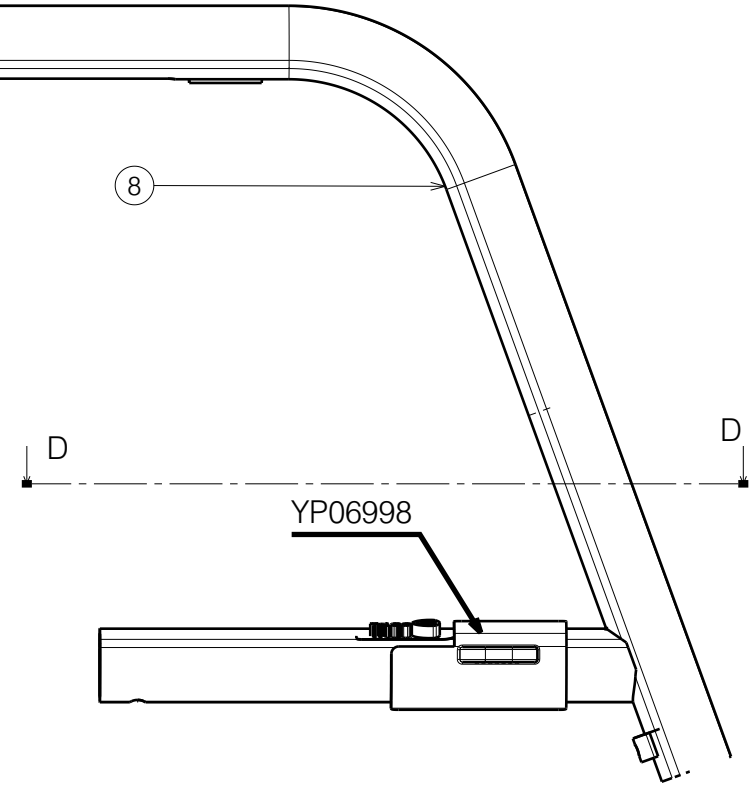
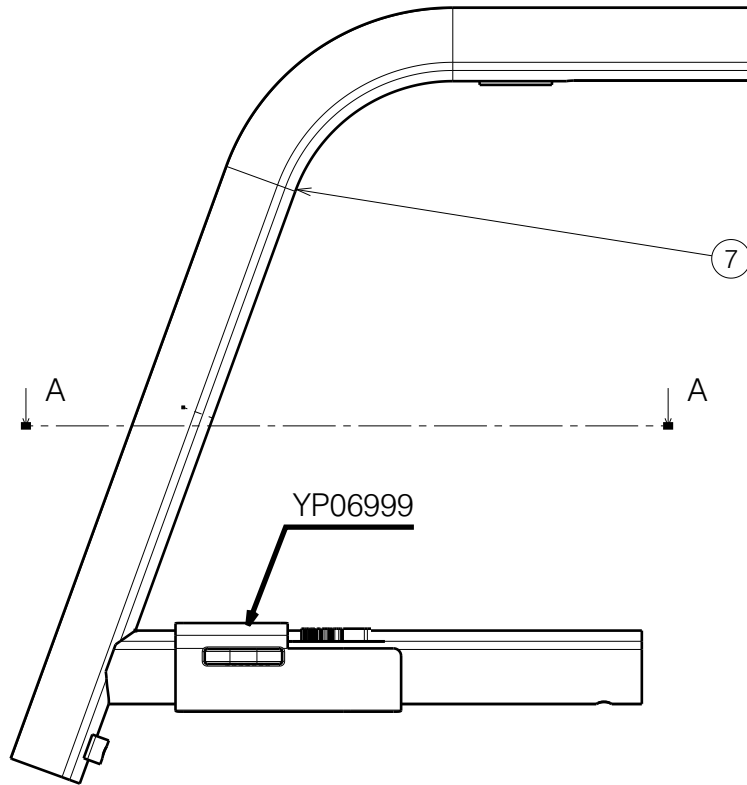
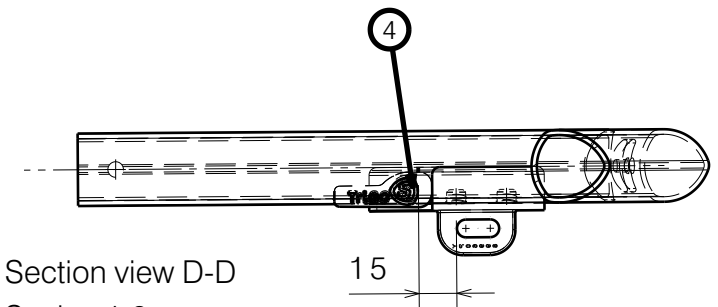


LEFT S-LINE FRAME

RIGHT S-LINE FRAME



Section view A-A
Scale: 1:3

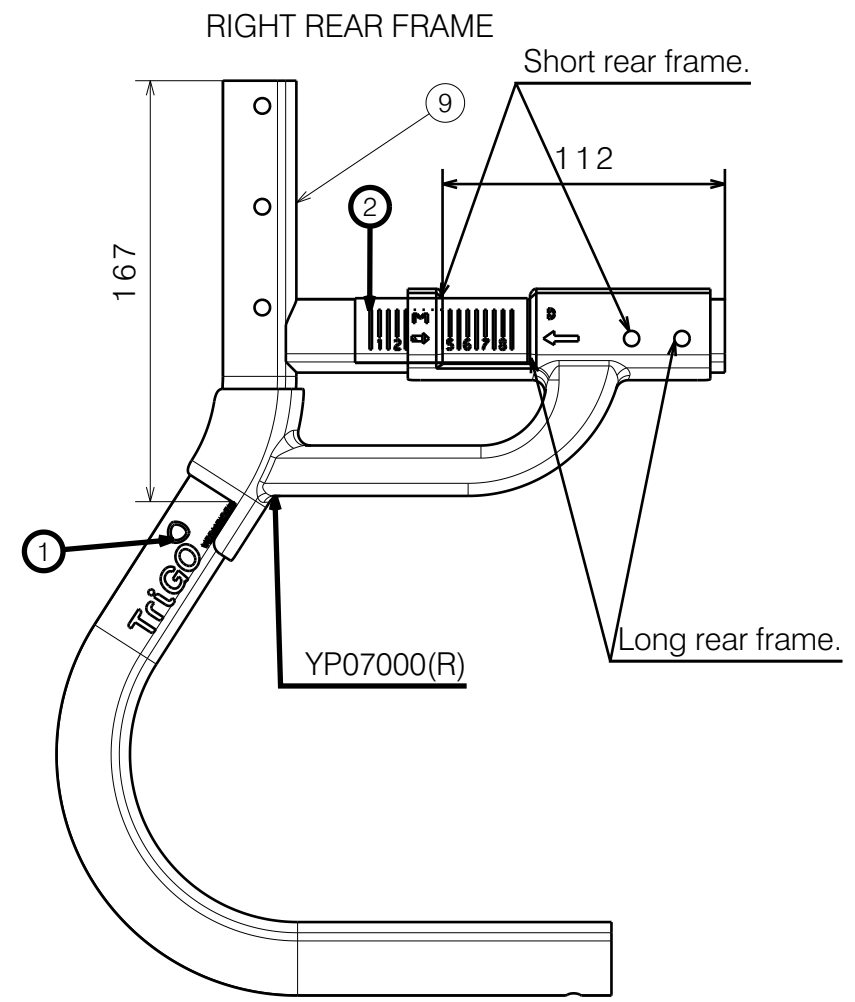
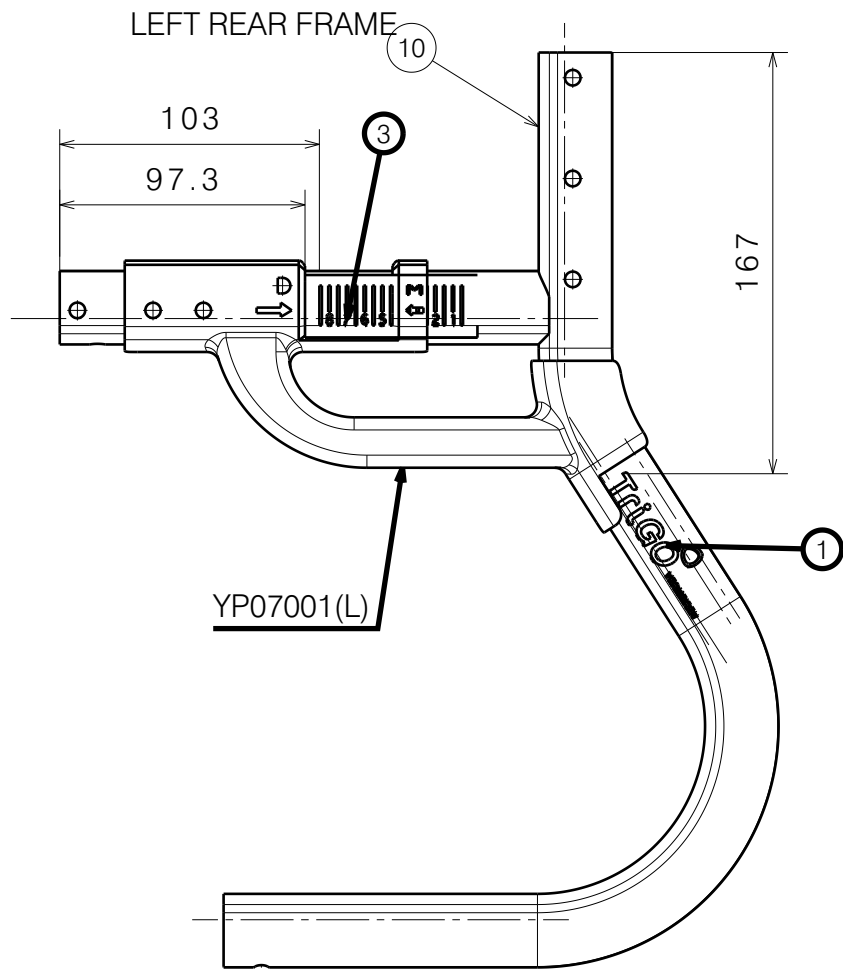


Section view D-D
Scale: 1:3


EP00332 / G

TRIGO STICKERS				Plan No.
				EP00332/ G
Scale: 1:3	Drafted	Verified	Confirmed	
Date	10/09/2018	13/01/2023	13/01/2023	
Initials	PM	AZ	AS	

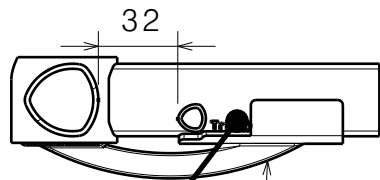
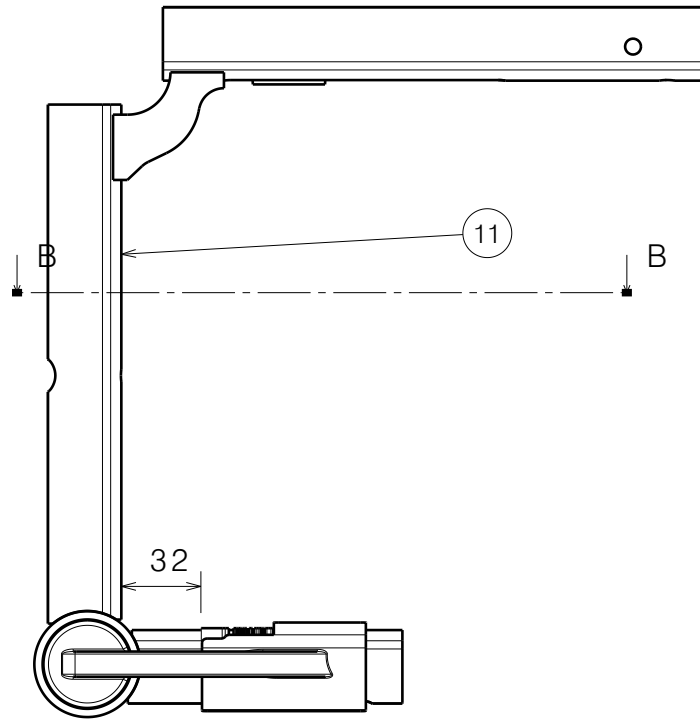
Sheet 1/5



EP00332 / G

TRIGO STICKERS				Plan No.
Sheet 2/5				EP00332/ G
Scale: 1:3	Drafted	Verified	Confirmed	
Date	10/09/2018	13/01/2023	13/01/2023	
Initials	PM	AZ	AS	

LEFT T-LINE FRAME

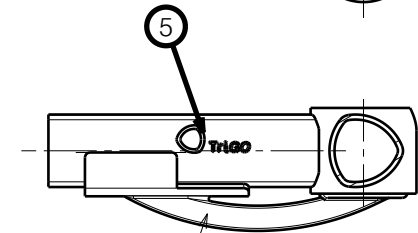
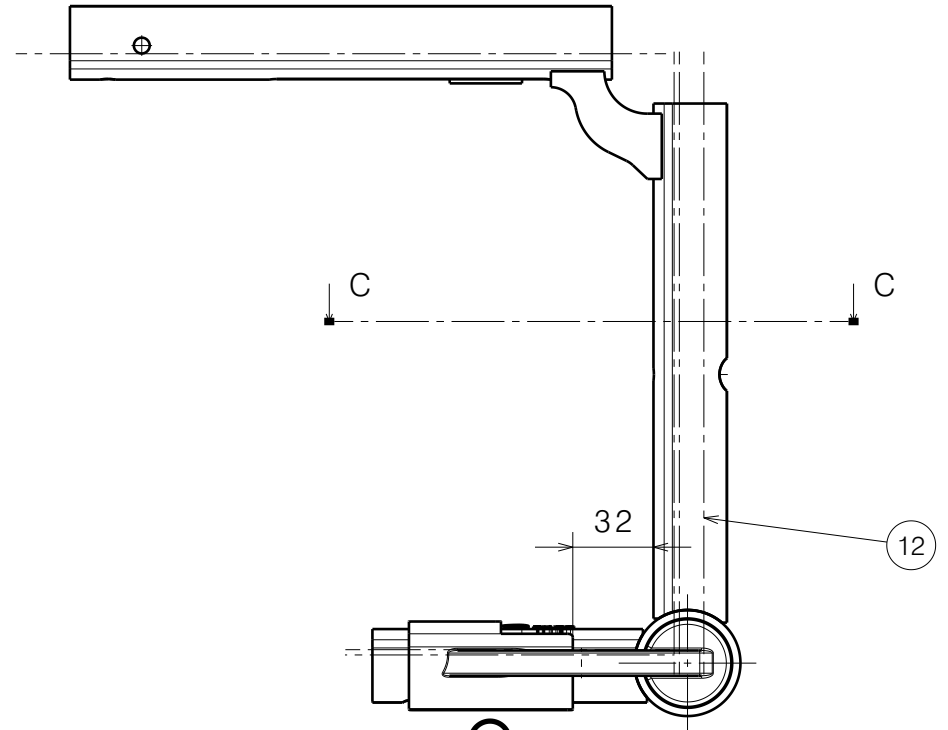


5

YP07005

Section view B-B
Scale: 1:3


RIGHT T-LINE FRAME



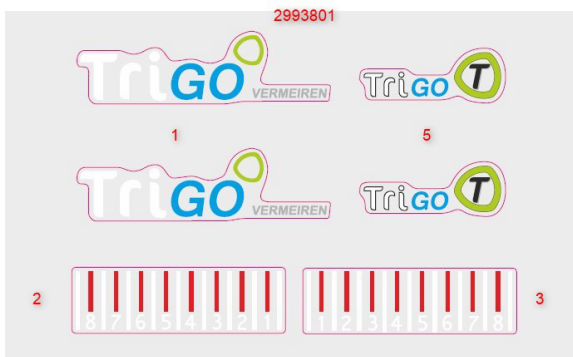
YP07006

Section view C-C
Scale: 1:3

EP00332 / G

TRIGO STICKERS				Plan No.
				Sheet 3/5 EP00332/ G
Scale: 1:3	Drafted	Verified	Confirmed	
Date	10/09/2018	13/01/2023	13/01/2023	
Initials	PM	AZ	AS	

decal stickers for all colours of frame (except white):



decal stickers for white colour of frame:

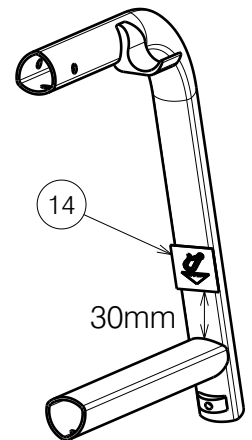
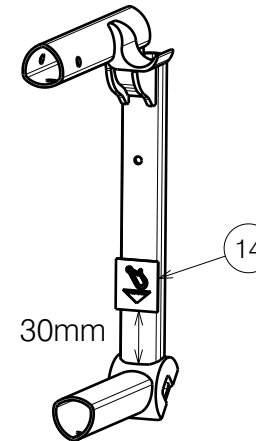
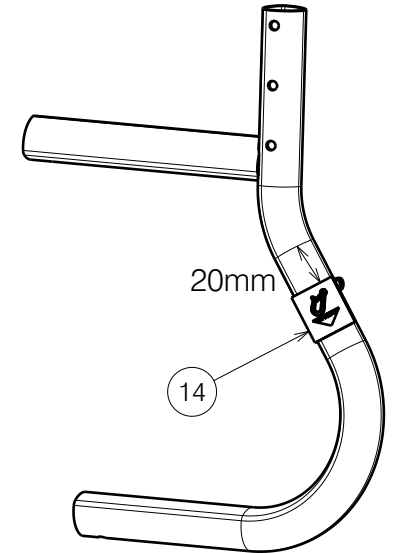
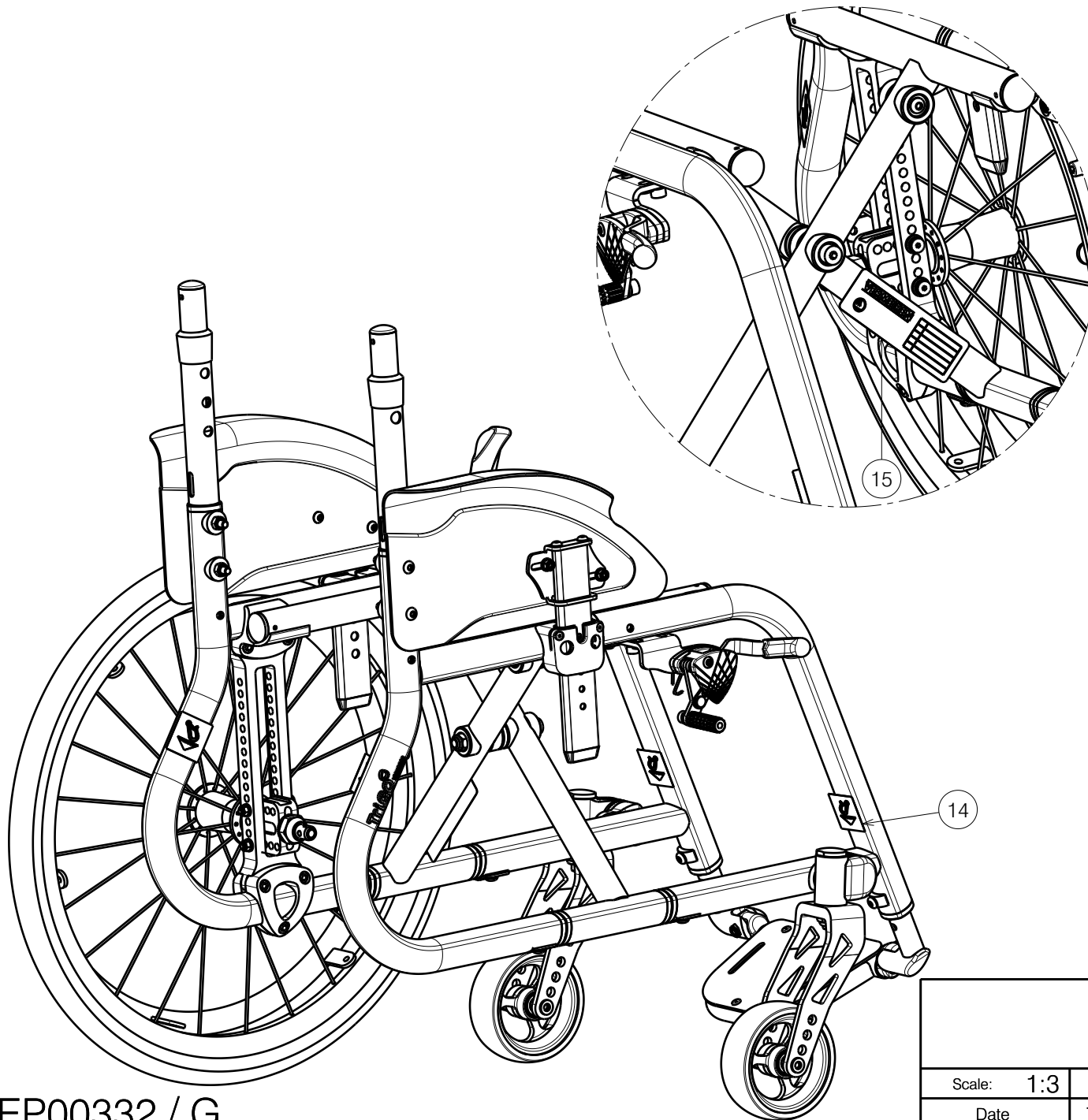


Material			
No.	Plan	Article	
7	YP05564	27142	1
8	YP05572	27150	1
9	YP05383	27122	1
10	YP05584	27156	1
11	YP05585	27157	1
12	YP05616	27166	1
13	YP05624	27174	1
* 14		T001076	4
15		T001097	1


* Use only for the fixed backrest frame.

EP00332 / G

TRIGO STICKERS				Plan No.
				EP00332/ G
Scale: 1:3	Drafted	Verified	Confirmed	
Date	10/09/2018	13/01/2023	13/01/2023	
Initials	PM	AZ	AS	



EP00332 / G

TRIGO STICKERS				Plan No.
				EP00332 / G
Scale: 1:3	Drafted	Verified	Confirmed	
Date	10/09/2018	13/01/2023	13/01/2023	
Initials	PM	AZ	AS	