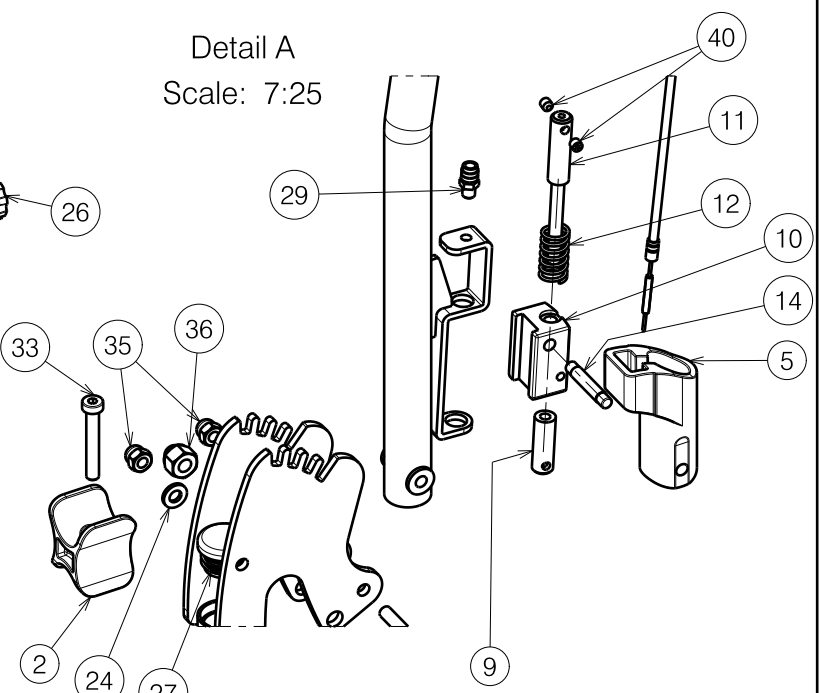


Mount in front of boomerang

Mounting torque: 60 Nm

Detail A
Scale: 7:25



Glue n° 11 into n° 9 with
Weicon AN302-43 (H900009)
Glue n° 14 into n° 10 with
Weicon AN302-43 (H900009)

E000886 / K


3999899

D100/30° SIDE FRAME				Plan No. E000886 / K
Sheet 1/2				
Scale: 7:50	Drafted	Verified	Confirmed	
Date	20/09/2013	23/01/2024	23/01/2024	
Initials	SD	SD	PJ	

Material							
No.	Plan	Article	Quantity	No.	Plan	Article	Quantity
1	X003204	1585100	2	22	YC00426	1C18654 (L)	1
2	X004309	1904133	2		YC00417	1C18354 (R)	1
3	X004415	17193	2	24	M6 DIN125	1001564	10
4	X004420	1904134	2	25	M12 DIN127	1001572	2
5	X004487	1904581	2	26	M8x20	1001580	2
6	X004747	1906057	4	27	---	1001608	2
7	X004750	1906037	2	28	M6 DIN985	1001680	2
8	X004774	1906056	4	29	M6x10	1003282	2
9	X004789	1740400	2	30	M6x40 DIN912	1003909	6
10	X004796	17406	2	31	M6x35 ISO7380	1006057	2
11	X004797	1740500	2	33	M6x40 DIN7984	1006850	4
12	X004798	1740700	2	34	M6x25 ISO7380	1006998	4
13	X004800	1740300	2	35	M6	1008492	14
14	X004987	1767500	2	36	M8	1902024	2
15	X005003	3990495	2	37	M6x35 DIN7984	1903903	2
16	XC00037	3990106	2	38	---	1907921	2
17	---	F002907	2	38A	X004846	1906369	2
18	Y020155	1791654 (38)	1	38B	---	1916909	2
	Y020156	1791754(40)	1	39	M6x45 DIN912	1003109	2
	Y004762	1521854 (42)	1	40	M5x5 DIN916/45H	1991323	4
	Y004763	1521954 (44)	1	41	M8x40 DIN912	1001500	2
	Y004764	1522054 (46)	1	42	M12x55 DIN931	3994158	2
	Y004765	1522154 (48)	1	43	M8x76 DIN7984	1998993	2
	Y004766	1522254 (50)	1	44	M8	1998994	2
	Y020157	1791854 (52)	1	45	M10x1	1999935	2
19	Y016850	1740132	2	48	X004973	1907519	4
20	Y017175	1740954	2	49	φ6	1992835	4
21	Y019764	17913.. (R)	1	50	φ4.8x22	3991881	4
	Y019766	17912.. (L)	1	51	XC00234	3993197	2
22	YC00246	1C18654 (L)	1	52	φ4x16	1003021	4
	YC00417	1C18354 (R)	1	53	M5 DIN125	1001550	2
				54	M6x8 DIN916	2996905	2

3999899

Note: Quantities are for one wheelchair, only left side depicted

D100/30° SIDE FRAME				Plan No.
Sheet 2/2				E000886 / K
Scale: 7:50	Drafted	Verified	Confirmed	
Date	20/09/2013	23/01/2024	23/01/2024	
Initials	SD	SD	PJ	

E000886 / K