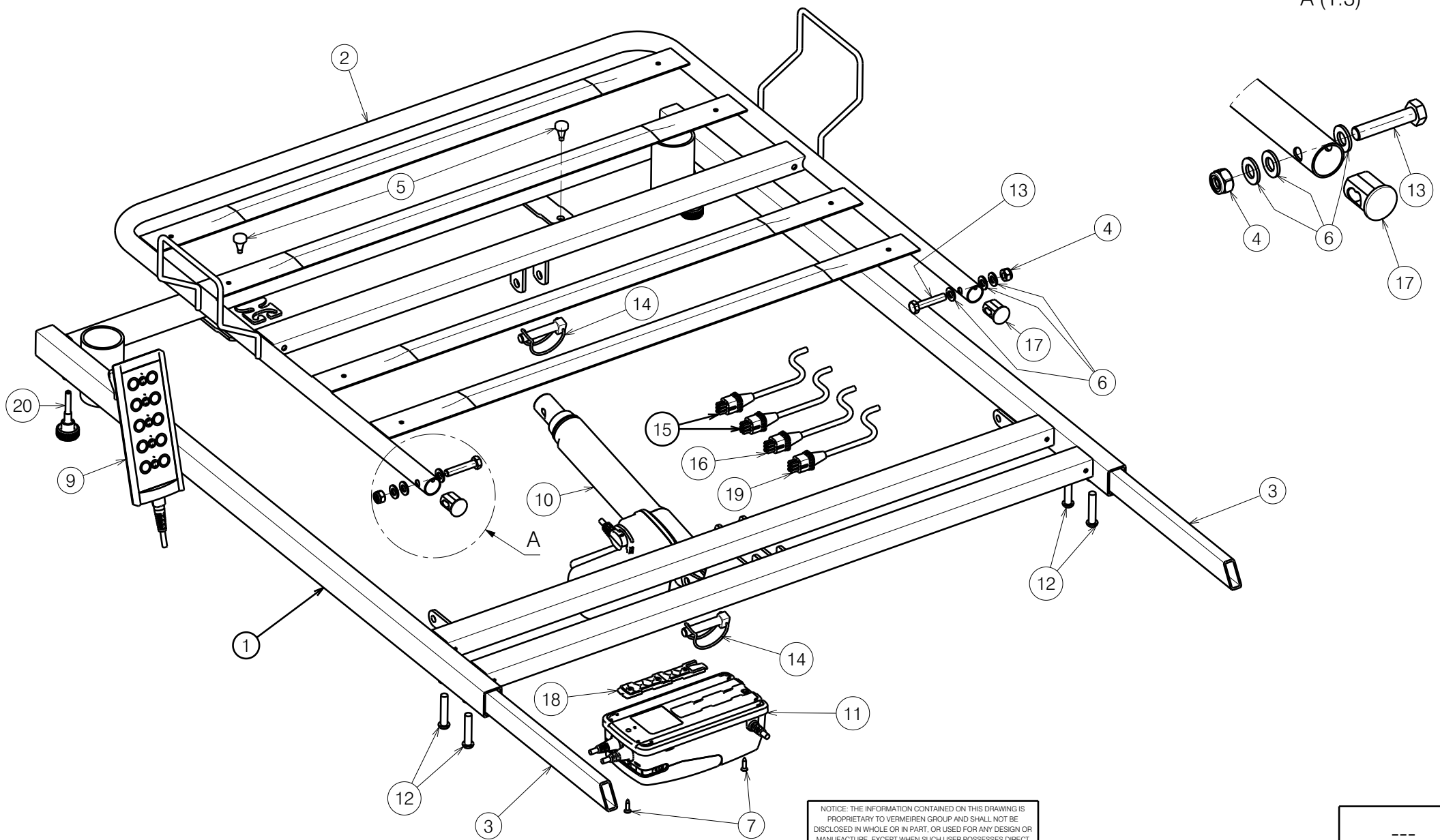



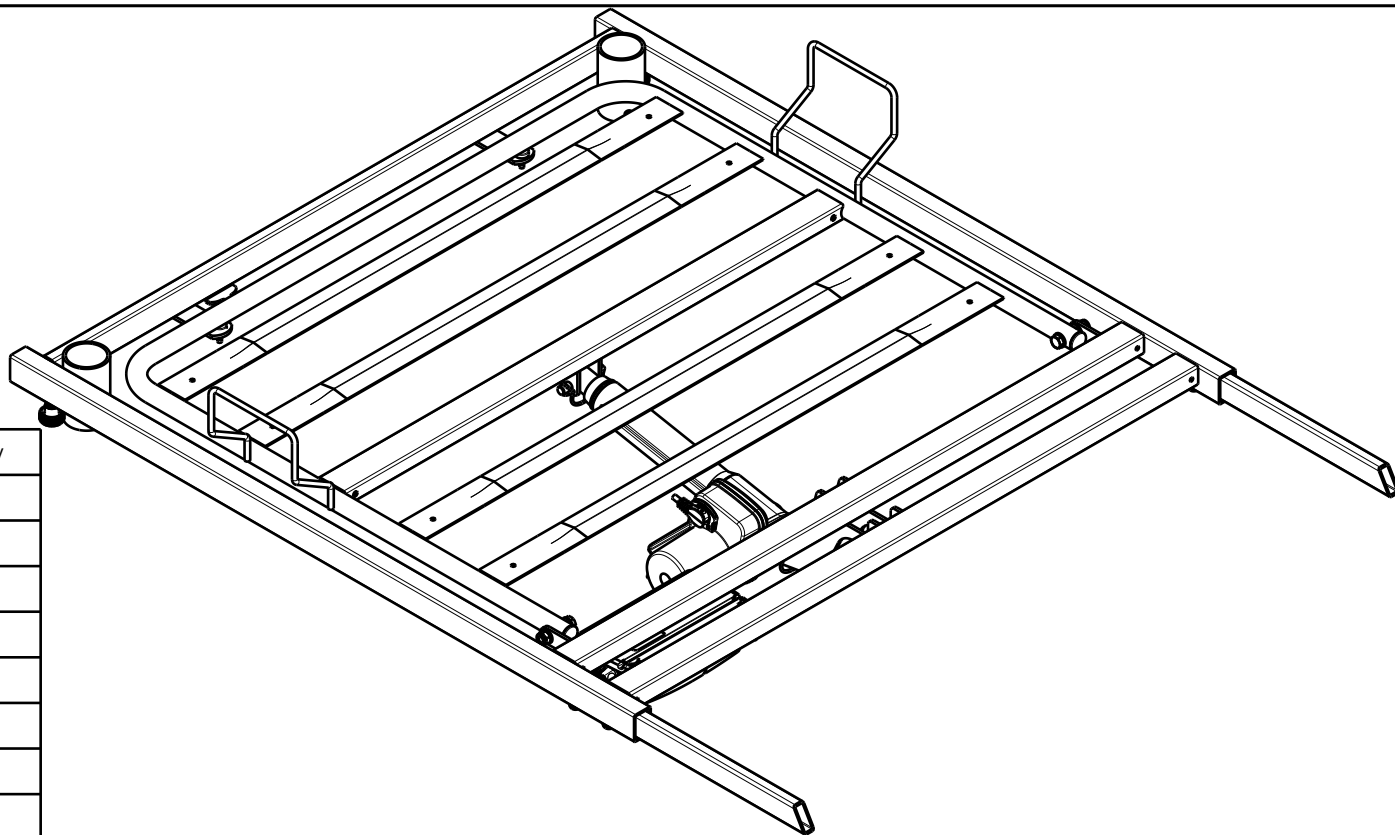
A (1:3)



NOTICE: THE INFORMATION CONTAINED ON THIS DRAWING IS PROPRIETARY TO VERMEIREN GROUP AND SHALL NOT BE DISCLOSED IN WHOLE OR IN PART, OR USED FOR ANY DESIGN OR MANUFACTURE, EXCEPT WHEN SUCH USER POSSESSES DIRECT WRITTEN AUTHORISATION FROM VERMEIREN GROUP.

|  |            |            |            |
|--|------------|------------|------------|
| <b>HEAD SIDE WITH STEEL LATHS / CLUB</b> |            |            |            |
| Scale: 1:6                               | Drafted    | Verified   | Confirmed  |
| Date                                     | 2022-10-27 | 2024-03-11 | 2024-03-11 |
| Initials                                 | OY         | MK         | AZ         |

|   |
|---|
| ---   |
| Plan No.<br>E00046581/E1.1  |
|  |



| No. | Plan               | Article | Qty |
|-----|--------------------|---------|-----|
| 1   | P00033418 DP       | 2650237 | 1   |
| 2   | YP05099DP          | 2899537 | 1   |
| 3   | YP08733            | 2626300 | 2   |
| 4   | X001016            | 1001682 | 2   |
| 5   | ---                | 1001637 | 2   |
| 6   | D8,4 DIN125        | 1003199 | 6   |
| 7   | D3,9x16 DIN7982    | 1005767 | 2   |
| 8   | ---                | ---     | -   |
| 9   | Remote Control     | 1919111 | 1   |
| 10  | Motor LA24         | 1918548 | 1   |
| 11  | Control Box        | 1918550 | 1   |
| 12  | M8x40 ISO7380      | 1008739 | 4   |
| 13  | M8x40 DIN 931      | 2993705 | 2   |
| 14  | Pen D10x50         | 1998885 | 2   |
| 15  | Panel Cable        | 1921012 | 2   |
| 16  | Headrest Cable     | 1919185 | 1   |
| 17  | XP02064            | 2993688 | 2   |
| 18  | Control Box Holder | 1919522 | 1   |
| 19  | Footrest Cable     | 1919533 | 1   |
| 20  | P00058901          | 2997834 | 2   |

NOTICE: THE INFORMATION CONTAINED ON THIS DRAWING IS PROPRIETARY TO VERMEIREN GROUP AND SHALL NOT BE DISCLOSED IN WHOLE OR IN PART, OR USED FOR ANY DESIGN OR MANUFACTURE, EXCEPT WHEN SUCH USER POSSESSES DIRECT WRITTEN AUTHORISATION FROM VERMEIREN GROUP.

|  |            |            |            |
|--|------------|------------|------------|
| <b>HEAD SIDE WITH STEEL LATHS / CLUB</b> |            |            |            |
| Scale: 1:8                               | Drafted    | Verified   | Confirmed  |
| Date                                     | 2022-10-27 | 2024-03-11 | 2024-03-11 |
| Initials                                 | OY         | MK         | AZ         |

|   |
|---|
| ---   |
| Plan No.<br>E00046581/E1.1  |
|  |