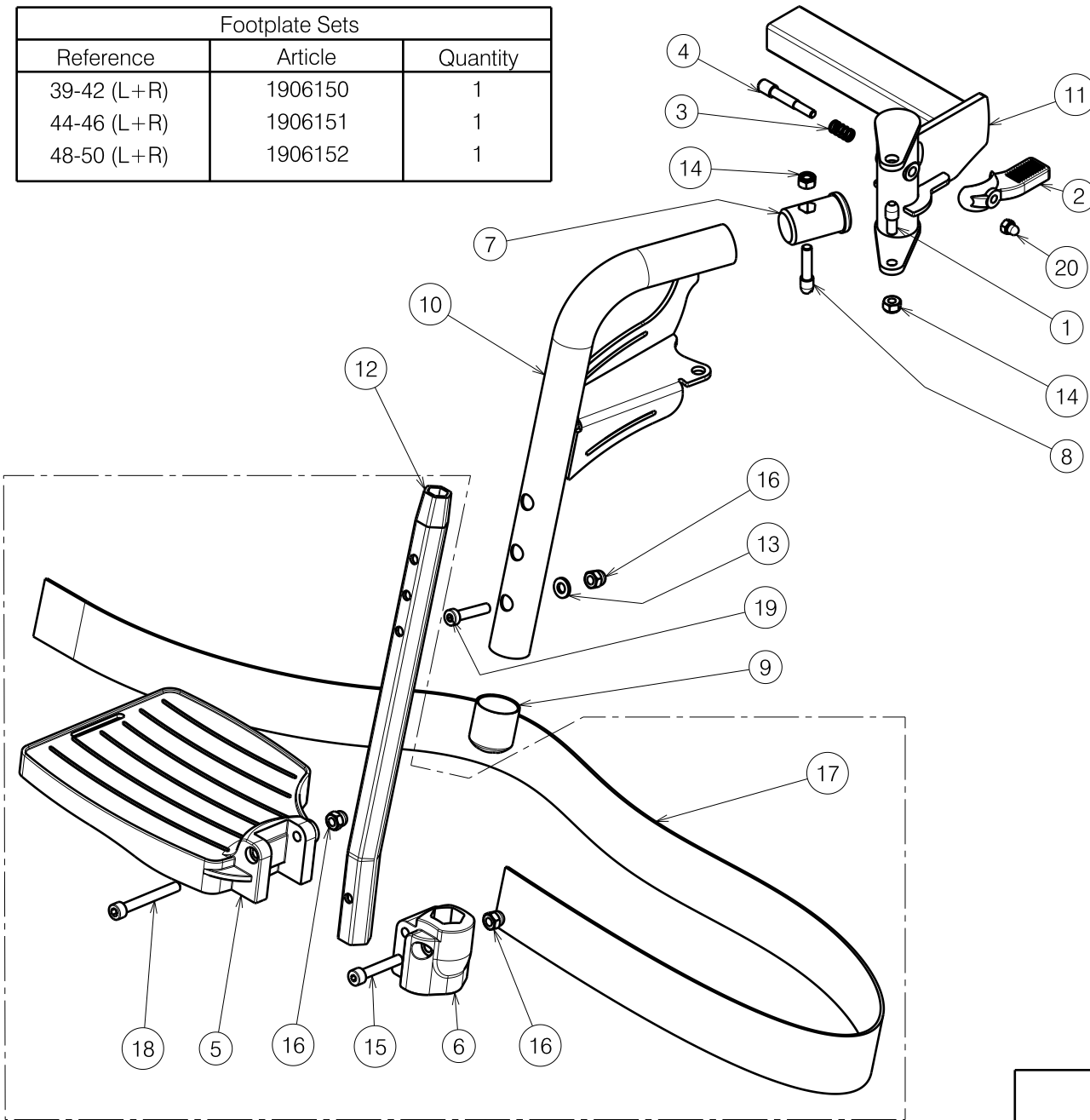


Footplate Sets		
Reference	Article	Quantity
39-42 (L+R)	1906150	1
44-46 (L+R)	1906151	1
48-50 (L+R)	1906152	1



Material			
No.	Plan	Article	Quantity
1	X000227	1465200	2
2	X002126	1992429	2
3	X002169	1992791	2
4	X004360	G080000	2
5	X004570	1904646 (L)	(40) 1
	X004571	1904647 (R)	(40) 1
	X004457	1904210 (L)	(45) 1
	X004453	1904475 (R)	(45) 1
	X004572	1904648 (L)	(50) 1
	X004573	1904649 (R)	(50) 1
6	X004454	1904474	2
7	X004871	1906828	2
8	X004872	G080500	2
9	Y017260	F006528	2
10	Y017222	17509.. (L)	1
	Y017341	17510.. (R)	1
11	Y017333	1749554 (L)	1
	Y017310	1749654 (R)	1
12	Y017356	F006496	2
13	---	1001564	2
14	---	1001680	4
15	M6x35 DIN912	1001496	2
16	---	1008492	6
17	---	1905642	2
18	M6x50 DIN912	1007970	2
19	---	1992721	2
20	---	1992804	2

*Only left side depicted

E000702 / G

Footplate Set (L+R)

1907000

NAVIX FOOTREST B06				Plan No.
				E000702 / G
Scale: 1:4	Drafted	Verified	Confirmed	
Date	22/04/2014	09/06/2021	09/06/2021	
Initials	DD	SD	PJ	