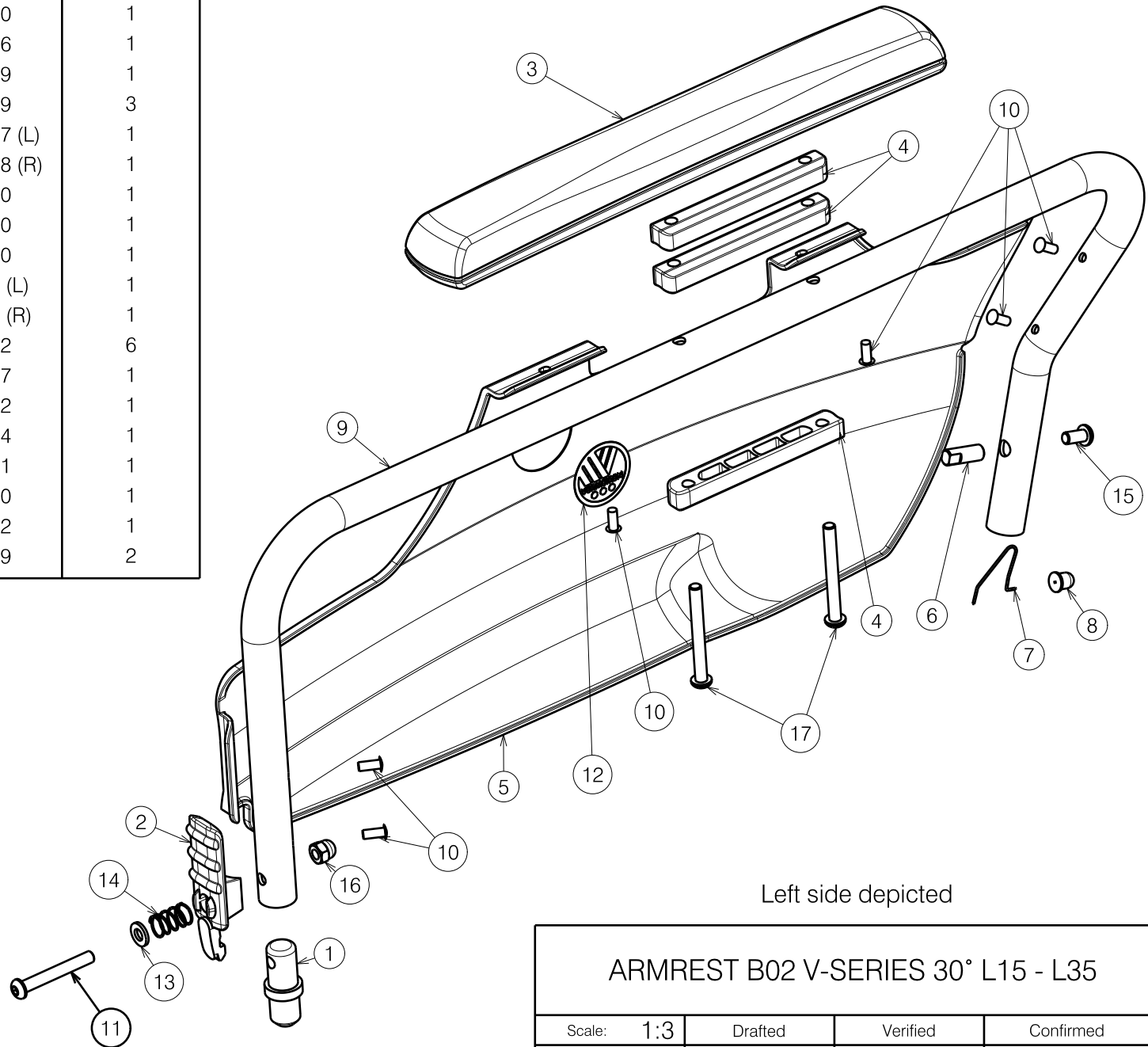



Material			
No.	Plan	Article	Quantity
1	X004421	1904140	1
2	X004422	1904136	1
3	X004460	1904569	1
4	X004491	1905009	3
5	X004561	1906167 (L)	1
	X004562	1906168 (R)	1
6	X004721	1735900	1
7	X004766	1738800	1
8	X004767	1905810	1
9	Y018178	17650.. (L)	1
	Y018179	17651.. (R)	1
10	---	1990752	6
11	XC01056	3990047	1
12	---	T001002	1
13	---	1001564	1
14	---	1003901	1
15	---	1007000	1
16	---	1008492	1
17	M6x55 ISO7380	1997879	2



Left side depicted

E000836 / C

ARMREST B02 V-SERIES 30° L15 - L35				Plan No. E000836 / C
Scale: 1:3	Drafted	Verified	Confirmed	
Date	05/09/2012	31/08/2023	31/08/2023	
Initials	SV	SD	PJ	