

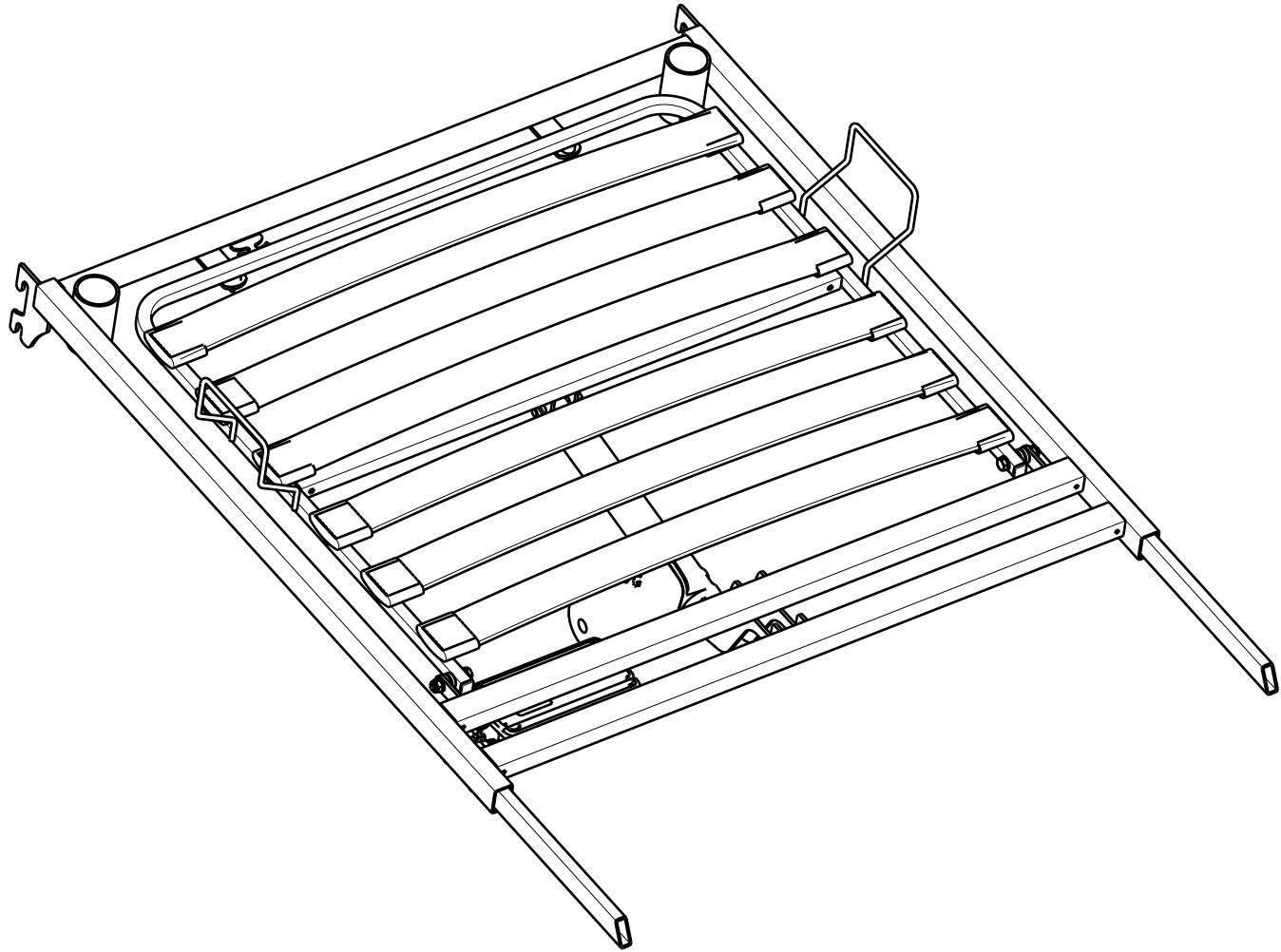
NOTICE: THE INFORMATION CONTAINED ON THIS DRAWING IS PROPRIETARY TO VERMEIREN GROUP AND SHALL NOT BE DISCLOSED IN WHOLE OR IN PART, OR USED FOR ANY DESIGN OR MANUFACTURE, EXCEPT WHEN SUCH USER POSSESSES DIRECT WRITTEN AUTHORISATION FROM VERMEIREN GROUP

HEAD SIDE WITH WOODEN LATHS / CLUB VARIO

Scale:	1:6	Drafted	Verified	Confirmed
Date	2022-10-20	2024-03-11	2024-03-11	
Initials	OY	MK	AZ	

Plan No.
E00046092/E1.1

No.	Plan	Article	Qty
1	P00033167	2995472	12
2	P00033422	2650137	1
3	P00037787DP	2660237	1
4	YP08733	2626300	2
5	X001016	1001682	2
6	X004967	1908262	4
7	XP01421	2993116	6
8	D3,9x16 DIN7982	1005767	2
9	---	1001637	2
10	D8,4 DIN125	1003199	4
11	Cap 15x15	1005899	2
12	---	---	-
13	Motor LA24	1918548	1
14	Control Box	1918550	1
15	Remote Control	1919111	1
16	M8x40 ISO7380	1008739	4
17	M8x45 DIN931	1005901	2
18	Pen D10x50	1998885	2
19	Panel Cable	1921012	2
20	Headrest Cable	1919185	1
21	Control Box Holder	1919522	1
22	Footrest Cable	1919533	1



HEAD SIDE WITH WOODEN LATHS / CLUB VARIO				---
				Plan No. E00046092/E1.1
Scale: 1:8	Drafted	Verified	Confirmed	
Date	2022-10-20	2024-03-11	2024-03-11	
Initials	OY	MK	AZ	