

EP00004 / F

EXPLOSION SAGITTA KIDS

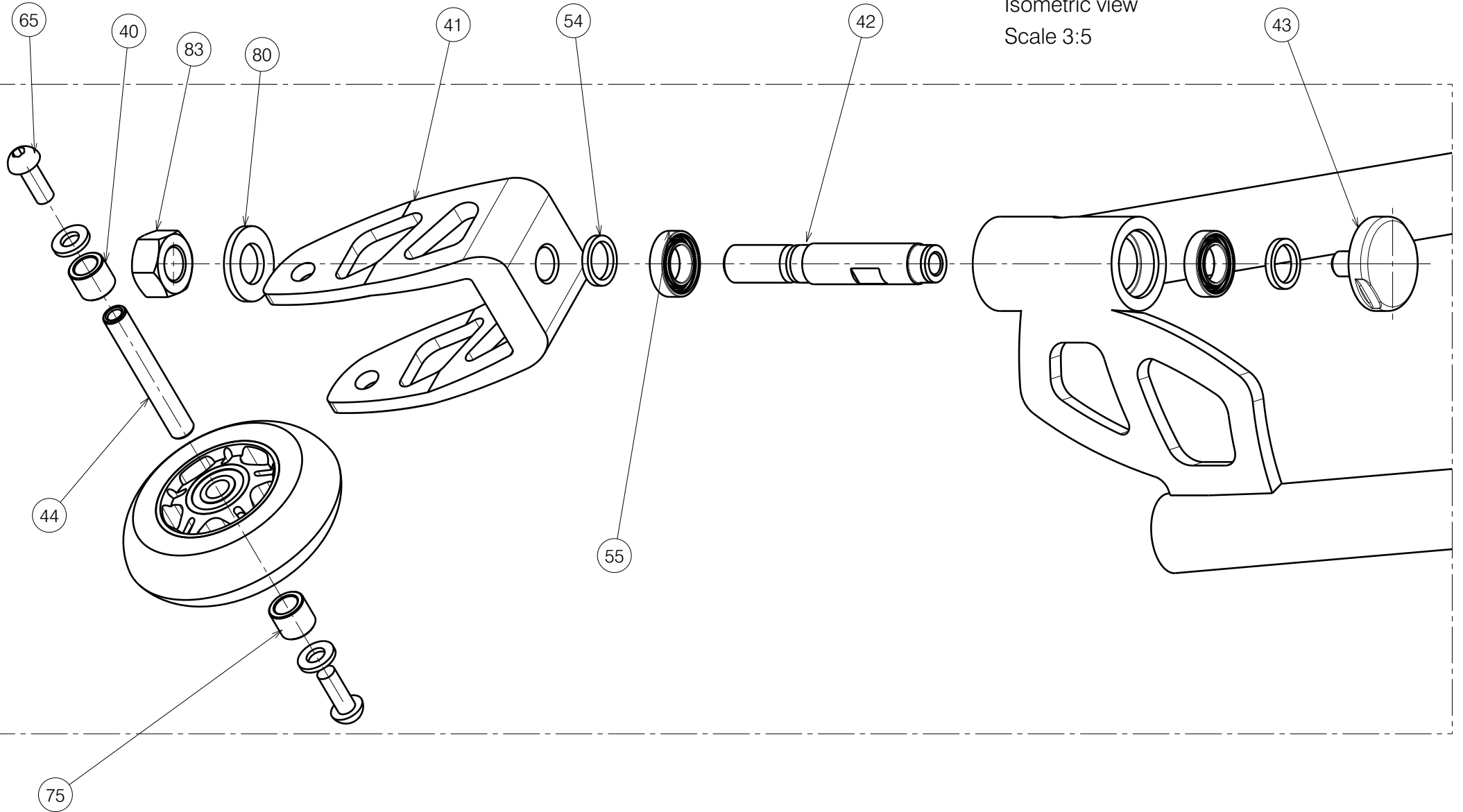
Plan No.

1/8 EP00004 / F


Scale: -:-	Drafted	Verified	Confirmed
Date	11/05/2010	12/07/2023	12/07/2023
Initials	RM	PM	AS

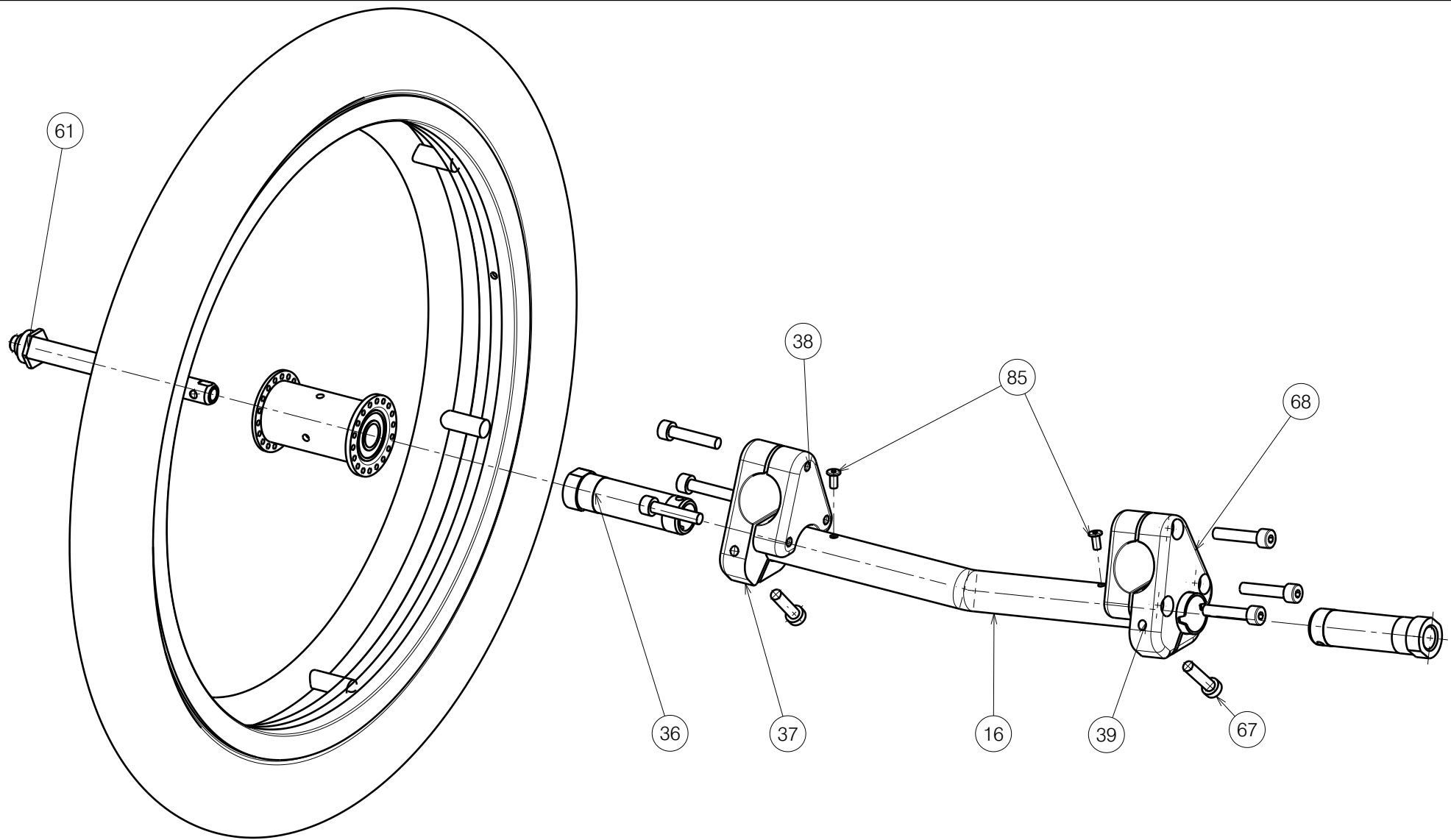


Isometric view
Scale 3:5



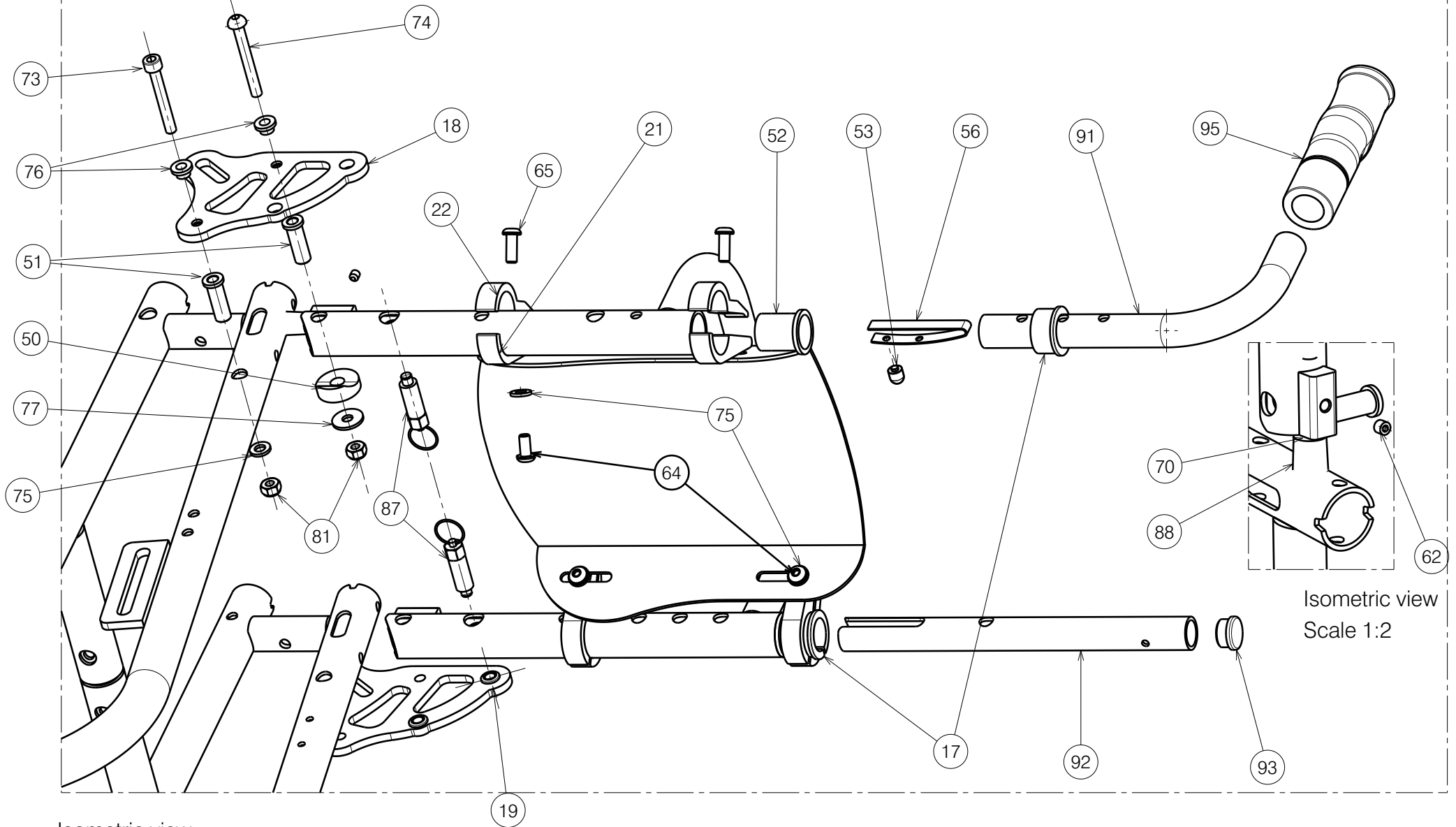
EP00004 / F

EXPLOSION SAGITTA KIDS				Plan No.
				2/8 EP00004 / F
Scale: -;-	Drafted	Verified	Confirmed	
Date	11/05/2010	12/07/2023	12/07/2023	
Initials	RM	PM	AS	



EP00004 / F

EXPLOSION SAGITTA KIDS				Plan No.
				EP00004 / F
Scale: 1:1	Drafted	Verified	Confirmed	
Date	11/05/2010	12/07/2023	12/07/2023	
Initials	RM	PM	AS	

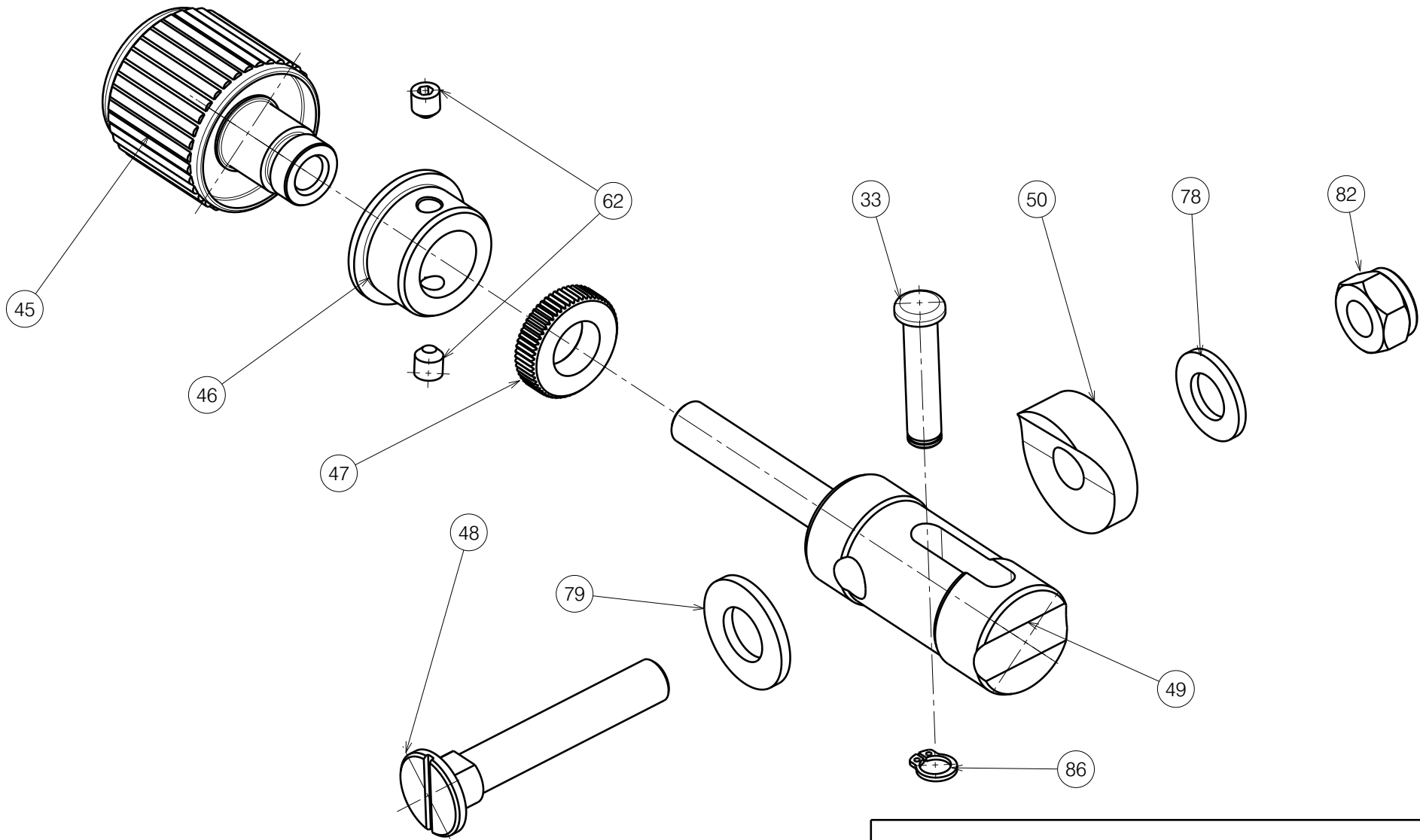


Isometric view
Scale 1:3

Isometric view
Scale 1:2

EP00004 / F

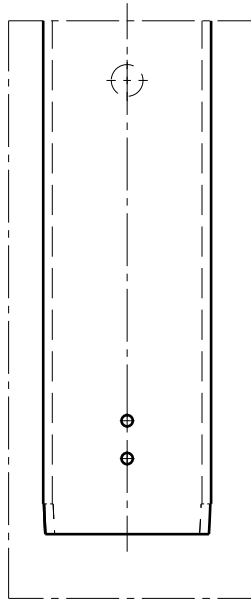
EXPLOSION SAGITTA KIDS				Plan No.
				EP00004 / F
Scale: -;-	Drafted	Verified	Confirmed	
Date	11/05/2010	12/07/2023	12/07/2023	
Initials	RM	PM	AS	



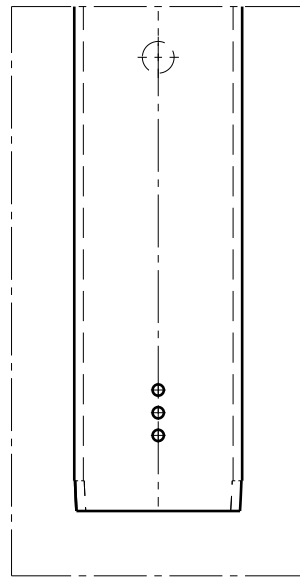
EP00004 / F

EXPLOSION SAGITTA KIDS				Plan No.
				EP00004 / F
Scale: -;-	Drafted	Verified	Confirmed	
Date	11/05/2010	12/07/2023	12/07/2023	
Initials	RM	PM	AS	

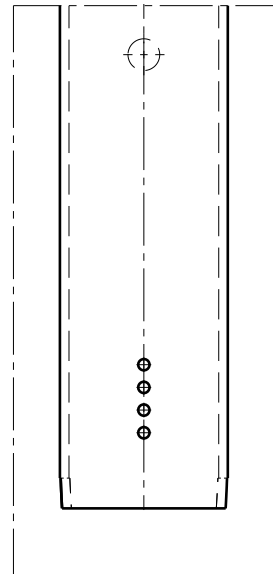
AXLES OF WHEELS



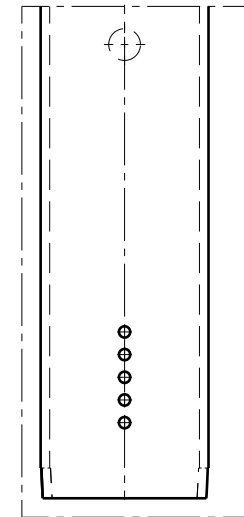
4°



6°



8°



10°

EP00004 / F

EXPLOSION SAGITTA KIDS				Plan No.
				EP00004 / F
Scale: -:-	Drafted	Verified	Confirmed	
Date	11/05/2010	12/07/2023	12/07/2023	
Initials	RM	PM	AS	

Material			
No.	Plan	Article	Quantity
1		18989	1
2		18988	1
3		28102	1
4		18996	1
		28043	1
		28044	1
		28045	1
		28046	1
		28047	1
5		18995	2
6		18991	1
		18993	1
7		18992	1
		18994	1
8		18998	1
9		18997	1
10		18999	2
11		28001	4
12		28002	2
13		---	-
14		---	-
15		---	-
16		---	-
17		2990934	2
18		18772	1
19		18775	1
20		28005	1
		28006	1
		28007	1
		28008	1
		28009	1
		28010	1
21		18935	4
22		18934	4
23		1005740	2
24		2990920	2
25		2990919	2

Material			
No.	Plan	Article	Quantity
26	XP00675	2990915	2
27	XP00674	2990916	1
28	XP00633	18975	2
29	XP00632	18974	2
30	XP00366	2990331	2
31	XP00422	2990457	4
32	XP00412	2990456	4
33	XP00392	GP00055	2
34	XP00579	2990914	2
35	XP00620	18979	2
36	XP00386	2990329	2
37	XP00351	18627	1
38	XP00352	18626	2
39	XP00353	18625	1
40	XP00680	2990917	4
41	XP00636(18")	18983	2
	XP00696(20")	18990	2
	XP00695(22")	18984	2
42	XP00338	18538	2
43	XP00340	18548	2
44	XP00341	18549	2
45	XP00535	2990627	2
46	XP00345	2990310	2
47	XP00390	2990459	2
48	XP00346	1853900	2
49	XP00405	GP00054	2
50	XP00369	GP00045	4
51	XP00365	18553	4
52	XP00357	2990300	2
53	X000273	G0606	2
54	X000188	G0785	4
55	---	1003276	4

Material			
No.	Plan	Article	Quantity
56	Y000462	F000050	2
57	ROLKO 3" PU	2990959	2
	ROLKO 4"	2990960	2
58	R	1992930	1
59	L	1992929	1
60	WHEEL 22"	2990953	2
	WHELL 20"	2990954	2
	WHELL 18"	2990955	2
	WHELL 18"	2990956	2
61	XP00454	2990349	2
62	M5x5	1991323	6
63	M5x12	2990933	4
64	M6x12	1007000	4
65	M6x16	1008459	8
66	M6x20	1006999	6
67	M6x25	1001494	2
68	M6x30	1001495	6
69	M6x30	1007954	4
70	M6x30	1001432	2
71	M6x35	1001496	4
72	M6x40	1006111	6
73	M6x45	1003109	2
74	M6x50	1007970	6
75	d 6,4	1000973	36
76	---	1854000	6
77	d6,5xD20x1,6	1997328	2
78	d 8,4	1001554	2
79	D21/D10,5X2	1001557	2
80	D24xD13x2,5	1993362	2
81	M6	1001680	24
82	M8	1001682	2
83	M12x1,25	1994605	2
84	D4x14	1001584	4
85	D4x8	2990307	2
86	D6	2990462	2
87	GN717-6-AK	2990301	2
88	---	1900072	2
89	---	1991107	0.38 M
90	---	1003299	0.9 M
91	YP01328(22-27)	18653	2

<h2>EXPLOSION SAGITTA KIDS</h2>				Plan No.
				EP00004/ F
Scale: -:-	Drafted	Verified	Confirmed	
Date	11/05/2010	12/07/2023	12/07/2023	
Initials	RM	PM	AS	

Material			
No.	Plan	Article	Quantity
91	YP01361(27-32)	18655	1
	YP01451(32-37)	18657	1
	YP01454(32-42)	18659	1
92	YP01257(27-32)	18533	1
	YP01438(32-37)	18631	1
	YP01439(37-42)	18632	1
	YP01440(22-27)	18633	1
93	---	1001602	2
13	YP02374 (18")	18980	2
	YP02353 (20+22")	18985	2
14	YP02375 (18")	18981 (R)	1
	YP02362(20+22")	18987 (R)	1
15	YP02396 (18")	18982 (L)	1
	YP02363(20+22")	18986 (L)	1
16	YP02350 (24-4°)	28012	1
	YP02397 (24-6°)	28013	1
	YP02399 (24-8°)	28014	1
	YP02401 (24-10°)	28015	1
	YP02577 (26-4°)	28048	1
	YP02579 (26-6°)	28049	1
	YP02581 (26-8°)	28050	1
	YP02583 (26-10°)	28051	1
	YP02585 (28-4°)	28052	1
	YP02587 (28-6°)	28053	1
	YP02589 (28-8°)	28054	1
	YP02591 (28-10°)	28055	1
	YP02593 (30-4°)	28056	1
	YP02595 (30-6°)	28057	1
	YP02597 (30-8°)	28058	1
	YP02599 (30-10°)	28059	1
	YP02601 (32-4°)	28060	1
	YP02603 (32-6°)	28061	1
	YP02605 (32-8°)	28062	1
	YP02607 (32-10°)	28063	1
	YP02609 (34-4°)	28064	1
	YP02611 (34-6°)	28065	1
	YP02613 (34-8°)	28066	1
	YP02615 (34-10°)	28067	1

Material			
No.	Plan	Article	Quantity
94	M6X30	1992721	2
95	---	2990351	2

EXPLOSION SAGITTA KIDS				Plan No.
				EP00004/ F
Scale: -:-	Drafted	Verified	Confirmed	
Date	11/05/2010	12/07/2023	12/07/2023	
Initials	RM	PM	AS	