


2993394


E001059 / D

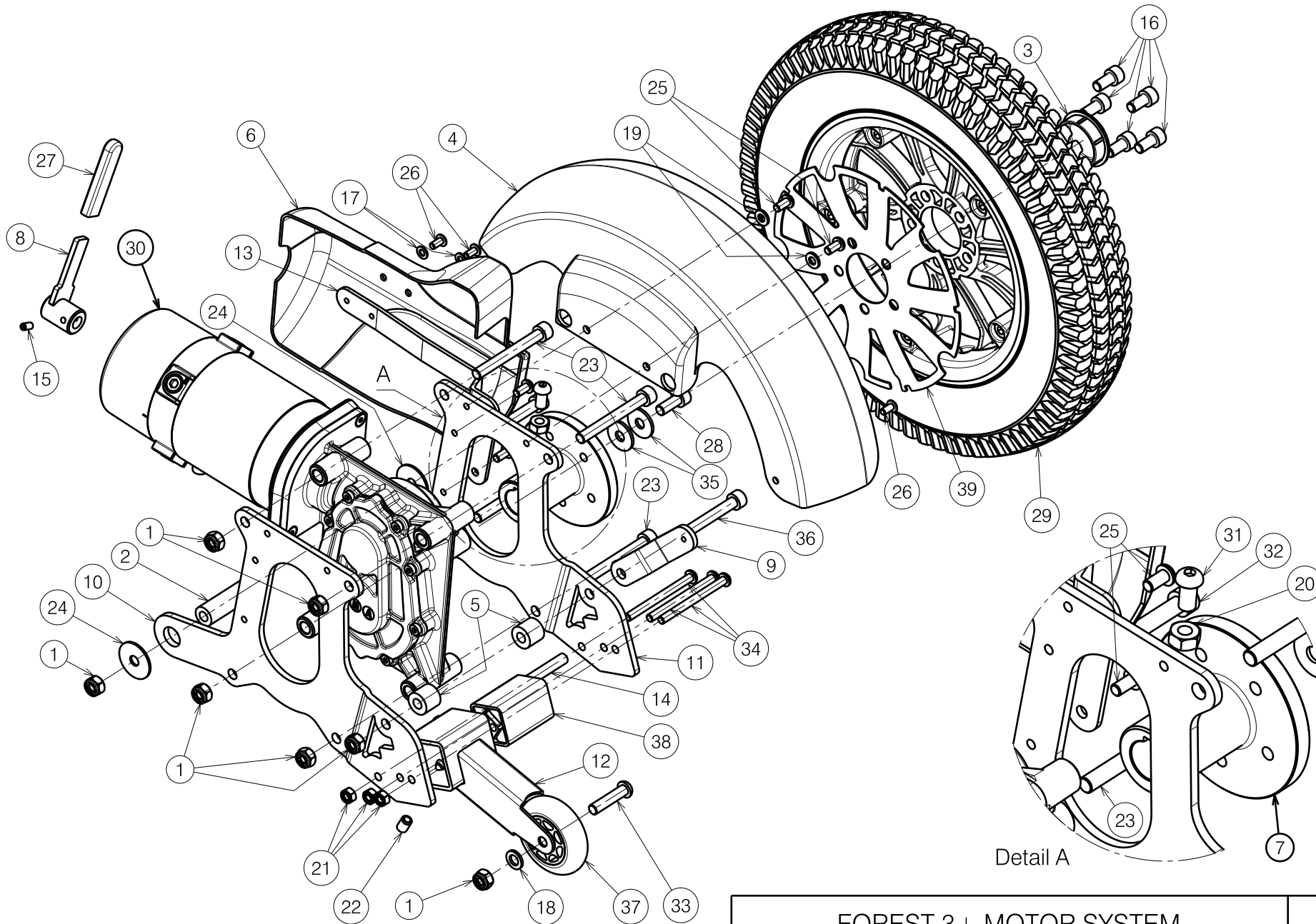
<b>FOREST 3+ MOTOR SYSTEM</b> Sheet 1/4 - LEFT SIDE				Plan No. E001059 / D
Scale: 1:4	Drafted	Verified	Confirmed	
Date	23/11/2016	10/11/2021	10/11/2021	
Initials	SD	SD	PJ	

Material							
No.	Plan	Article	Quantity	No.	Plan	Article	Quantity
1	X001016	1001682	7	22	M8x12 DIN916	1004885	1
2	X004956	1772600	1	23	M8x70 DIN912	1005289	4
3	X005083	1908680	1	24	M8	1005900	2
4	X005103	1909385	1	25	M6x12 ISO7380	1007000	4
5	X005136	1910092	2	26	M5x10 ISO7380	1007063	3
6	X005337	1910178	1	27	---	1001144	1
7	XP02883	GP21604	1	28	M8x20 DIN912	1906425	1
8	Y015177	1734254	1	29	Grey block	1915153	1
9	Y019328	1798954	1		Black block	1915154	1
10	Y019467	1790754	1		Black R-fill	1915157	1
11	Y019468	1790854	1		Black Line	1915155	1
12	Y019749	1790654	1	30	350 W	1912531	1
13	Y020641	2003154	1	31	M8x16 ISO7380	1991858	1
14	Y020660	2003500	1	32	M8x75 DIN912	1992973	1
15	M5x10 DIN916	1001485	1	33	M8x35 ISO7380	1993236	1
16	M8x16 DIN912	1915411	5	34	M6x75 DIN912	1993413	3
17	M5 DIN125	1001550	2	35	M8 DIN9021	1996574	2
18	M8 DIN125	1001556	2	36	M8x80 DIN912	1998467	1
19	M6 DIN125	1001564	2	37	---	1999844	1
20	M8 DIN934	1001671	1	38	---	2990569	1
21	M6 DIN985	1001680	3	39	Y023085	20529..	1

2993394

E001059 / D

FOREST 3+ MOTOR SYSTEM				Plan No.
Sheet 2/4 - LEFT SIDE				E001059 / D
Scale: 1:4	Drafted	Verified	Confirmed	
Date	23/11/2016	10/11/2021	10/11/2021	
Initials	SD	SD	PJ	



2993394


E001059 / D

<p>FOREST 3+ MOTOR SYSTEM Sheet 3/4 - RIGHT SIDE</p>				Plan No.
				E001059 / D
Scale: 1:4	Drafted	Verified	Confirmed	
Date	23/11/2016	10/11/2021	10/11/2021	
Initials	SD	SD	PJ	

Material							
No.	Plan	Article	Quantity	No.	Plan	Article	Quantity
1	X001016	1001682	7	22	M8x12 DIN916	1004885	1
2	X004956	1772600	1	23	M8x70 DIN912	1005289	4
3	X005083	1908680	1	24	M8	1005900	2
4	X005103	1909385	1	25	M6x12 ISO7380	1007000	4
5	X005136	1910092	2	26	M5x10 ISO7380	1007063	3
6	X005337	1910178	1	27	---	1001144	1
7	XP02883	GP21604	1	28	M8x20 DIN912	1906425	1
8	Y015177	1734254	1	29	Grey block	1915153	1
9	Y019328	1798954	1		Black block	1915154	1
10	Y019467	1790754	1		Black R-fill	1915157	1
11	Y019468	1790854	1		Black Line	1915156	1
12	Y019749	1790654	1	30	350 W	1912530	1
13	Y020641	2003154	1	31	M8x16 ISO7380	1991858	1
14	Y020660	2003500	1	32	M8x75 DIN912	1992973	1
15	M5x10 DIN916	1001485	1	33	M8x35 ISO7380	1993236	1
16	M8x16 DIN912	1915411	5	34	M6x75 DIN912	1993413	3
17	M5 DIN125	1001550	2	35	M8 DIN9021	1996574	2
18	M8 DIN125	1001556	2	36	M8x80 DIN912	1998467	1
19	M6 DIN125	1001564	2	37	---	1999844	1
20	M8 DIN934	1001671	1	38	---	2990569	1
21	M6 DIN985	1001680	3	39	Y023085	20529..	1

2993394

E001059 / D

FOREST 3+ MOTOR SYSTEM				Plan No.
Sheet 4/4 - RIGHT SIDE				E001059 / D
Scale: 1:4	Drafted	Verified	Confirmed	
Date	23/11/2016	10/11/2021	10/11/2021	
Initials	SD	SD	PJ	