

VERMEIREN

Interval

INSTRUCTION MANUAL
MODE D'EMPLOI
GEBRUIKSAANWIJZING
GEBRAUCHSANWEISUNG
ISTRUZIONI PER L'USO
MANUAL DE INSTRUCCIONES
INSTRUKCJA OBSŁUGI



EN

Instructions for specialist dealer

This instruction manual is part and parcel of the product and must accompany every product sold.

Version: C, 2016-08

FR

Instructions pour les distributeurs

Ce manuel d'instructions fait partie du produit et doit accompagner chaque produit vendu.

Version : C, 2016-08

NL

Instructies voor de vakhandelaar

Deze handleiding is deel van het product en dient bij iedere product te worden geleverd.

Versie: C, 2016-08

DE

Hinweise für den Fachhändler

Diese Gebrauchsanweisung ist Bestand-teil des Produkts und ist bei jeder Produkts auszuhändigen.

Version: C, 2016-08

IT

Istruzioni per il rivenditore

Il presente Manuale di istruzioni è parte integrante del prodotto e deve essere fornito assieme alla prodotto.

Versione: C, 2016-08

ES

Instrucciones destinadas a los distribuidores especializados

El presente manual de instrucciones es parte integrante del producto y se debe adjuntar a todas las producto que se vendan.

Versión: C, 2016-08

PL

Instrukcje dla wyspecjalizowanego sprzedawcy

Niniejsza instrukcja obsługi jest nieodłączną częścią produktu i musi być dołączona do każdego sprzedawanego produktu.

Wersja: C, 2016-08

All rights reserved, including translation.

No part of this manual may be reproduced in any form what so ever (print, photocopy, microfilm or any other process) without written permission of the publisher, or processed, duplicated or distributed by using electronic systems.

Tous droits réservés, y compris la traduction.

Aucune partie de ce manuel ne peut être reproduite, sous quelque forme que ce soit (imprimée, photocopie, microfilm ou tout autre procédé) sans l'autorisation écrite du publicateur, ni traitée, dupliquée ou distribuée à l'aide de systèmes électroniques.

Alle rechten, inclusief vertaling, voorbehouden.

Niets uit deze handleiding mag geheel of gedeeltelijk in enige vorm (druk, fotokopie, microfilm of ieder ander procedé) zonder de schriftelijke toelating van de uitgever worden gereproduceerd of met behulp van elektronische systemen worden verwerkt, gekopieerd of verspreid.

Alle Rechte, auch an der Übersetzung, vorbehalten.

Kein Teil der Gebrauchsanweisung darf in irgendeiner Form (Druck, Fotokopie, Mikrofilm oder einem anderen Verfahren) ohne schriftliche Genehmigung des Herausgebers reproduziert oder unter Verwendung elektronischer Systeme verarbeitet, vervielfältigt oder verbreitet werden.

Tutti i diritti riservati (anche sulla traduzione).

Il presente manuale non può essere riprodotto, neppure parzialmente, con alcun mezzo (stampa, fotocopia, microfilm o altro procedimento) senza l'autorizzazione scritta della casa produttrice, né elaborato, duplicato o distribuito con l'ausilio di sistemi elettronici.

Todos los derechos reservados, incluidos los de la traducción.

Se prohíbe la reproducción total o parcial del presente manual de cualquier forma (impresión, fotocopia, microfilm o cualquier otro procedimiento), así como la edición, copia o distribución empleando sistemas electrónicos, sin el permiso escrito del editor.

Wszelkie prawa zastrzeżone, łącznie z tłumaczeniem.

Żadna część niniejszej instrukcji nie może być powielana w jakiegokolwiek formie (drukowanej, fotokopii, mikrofilmu ani innej) bez pisemnej zgody wydawcy, nie może być również przetwarzana, kopiowana ani rozprowadzana za pomocą systemów elektronicznych.



Contents

Preface..... 2

1 Productdescription 3

1.1 Intended Use.....3

1.2 Technical specifications4

1.3 Components.....5

1.4 Explanation of symbols5

1.5 Accessories.....6

1.6 For your safety6

2 Use..... 7

2.1 Control pendant with lock function.....7

2.2 Operating the steering casters8

2.3 Strain relief.....8

2.4 Power cable9

2.5 Emergency lowering of the headrest.....10

2.6 Side railings.....10

2.7 Lifting pole.....11

2.8 Transfer in and out the bed.....11

2.9 Transport11

2.10 Cable placement12

3 Installation and adjustment..... 12

3.1 Tools.....12

3.2 Manner of delivery13

3.3 Assembly.....14

4 Maintenance..... 16



Preface

First of all we want to thank you for putting your trust in us by selecting one of our products.

The Vermeiren beds are the result of many years of research and experience. During the development, special attention was given to the ease of use and the serviceability of the bed.

The expected lifetime for your bed is strongly influenced by the care and maintenance of the bed.

This manual will help you get acquainted with the operation of your bed.

Following the user instructions and the maintenance instructions are an essential part of the warranty.

This manual reflects the latest product developments. Vermeiren has the right to introduce changes without the obligation to adapt or replace previously delivered models.

For any further questions, please consult your specialist dealer.

1 Productdescription

1.1 *Intended Use*

With the Interval model, you have acquired a nursing bed that was developed entirely for your comfort. This nursing bed offers a number of individual adjustment possibilities which are explained below.

The nursing bed is designed for a single adult patient (from 12 years, up to maximum user weight (see table 1))

The bed shall be used with a suitable mattress (min. RG 35, 120 mm thick, max. 20 kg)

The modular construction of the bed allows full use by disabled persons, elderly people or during revalidation in home environment.

When providing for individual requirements:

- body size and weight (max. 150 kg for Interval 90 cm, max. 240 kg for Interval 120 cm, max 240 kg for Interval 140 cm)
- physical and psychological condition
- residential circumstances
- environment

should be taken into consideration.

The bed is suited for application environment 4 of ISO 60601-2-52: "care provided in a domestic area where ME equipment is used to alleviate or compensate for an injury, disability or disease".

Your bed should only be used on surfaces where all four wheels are touching the ground.

The bed should not be used as a ladder, nor is it a transport for heavy or hot objects.

When used on mats, carpeted floors or loose floor coverings, the floor covering can get damaged and it is difficult to push over such surfaces (without patient).

Use only Vermeiren approved accessories. It is not permitted to combine the bed with other products or equipment or other electrically driven appliances.

The manufacturer is not liable for damage caused by the lack of or improper service or as a result of not following instructions from this manual.

Compliance with the user and maintenance instructions are an essential part of the guarantee conditions.



1.2 Technical specifications

(Given in fully assembled condition)

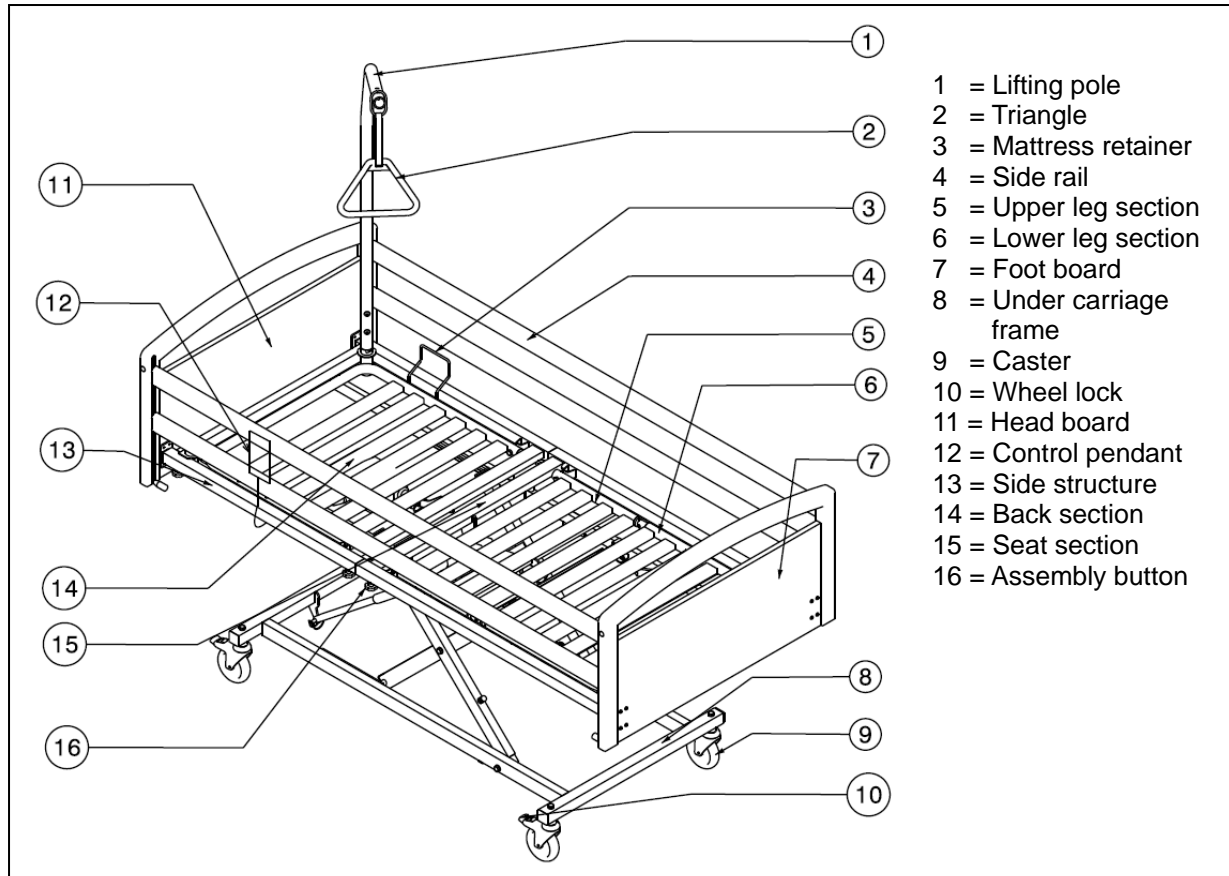
Make	Vermeiren			
Address	Vermeirenplein 1/15, B-2920 Kalmthout			
Type	Bed			
Model	Interval, Interval 120 cm, Interval 140 cm			
Description	Interval 90 cm	Interval XXL		
		Interval 120 cm	Interval 140 cm	
Maximum occupant mass	Nominal load 150 kg	Nominal load 240 kg	Nominal load 240 kg	
Length	2080 mm			
Width	1030 mm	1330 mm	1530 mm	
Height (without lifting pole)	840 mm - 1275 mm	860 mm - 1295 mm	860 mm - 1295 mm	
Height (with lifting pole)	1870 mm - 2305 mm	1900 mm - 2335 mm	1900 mm - 2335 mm	
Height adjustment of the bed surface	Continuously from 370 to 805 mm (without mattress)			
Total mass (excl. side rails, lifting pole and triangle)	106 kg	124 kg	139 kg	
Adjustment of the back section	70.5°			
Max. thigh angle	28.5°			
Max. angle for lower leg	-20.5°			
Max. safe working load *	185 kg	275 kg	275 kg	
Lifting pole	Nominal load 80 kg			
Mattress	Min. RG 35, thickness 120 mm, 2000 x 900 mm, max. 20 kg	Min. RG 35, thickness 120 mm, 2000 x 1200 mm, max. 20 kg	Min. RG 35, thickness 120 mm, 2000 x 1400 mm, max. 20 kg	
Under clearance for patient lift	145 mm			
Steering casters (4 pieces)	Ø 125 mm, can be locked			
Front part of motor	LA31.28-300-24-001, Linak			
Back section motor	LA31.2JB-100-24-301, Linak			
Leg section motor	LA31.2J-100-24-301, Linak			
Manual operation	HLW072-002, Linak (Interval type 1040) HLW073-005, Linak (Interval type 1042)	HLW073-005, Linak (Interval type 1042)	HLW073-005, Linak (Interval type 1042)	
Transformer	CB 09SO-3T-24, Linak			
Nominal voltage, transformer	U input: 230 V~, ± 10%, 50 Hz, current: max. 1.5 A, output voltage: 24V ---, max. 70 VA			
Period switched on	10%, max. 6 min/hour			
Noise level	< 65 dB(A)			
Class / Kind of protection	Protection class II, application part Type B / IPX4 (spray protection)			
Storage and use temperature	+ 5 °C (+41 °F)	+ 41 °C (+106 °F)		
Storage and use humidity	30%	70%		
We reserve the right to introduce technical changes. Measurement tolerance ± 15 mm / 1,5 kg / ° (0.59 in. / 3,3 lb. / 1,5°)				
* Max. safe working load = mass user weight + mass mattress + mass other accessories				

Table 1: Technical specifications

The bed complies to the requirements set up in:

- EN 1970: Adjustable beds for disabled persons: Requirements and test methods
 EN 1970+ A1: Adjustable beds for disabled persons: Requirements and test methods
 EN 60601-2-38/A1: Medical electrical equipment - Part 2-38: Particular requirements for the safety of electrically operated hospital beds

1.3 Components



1.4 Explanation of symbols

- Maximum mass
- CE conformity
- Safety instructions
- Observe the instructions for use
- The correct procedure or method of use
- Incorrect procedure or method of use
- F** Protection class II
- Type B application
- TYPE** Type designation



1.5 Accessories

⚠ WARNING: Precautions shall be taken if accessories not listed below are used.

- Third bedside wood

1.6 For your safety

- ⚠ Carefully read the instruction manual before using the nursing bed.
- ⚠ Place and use your nursing bed only on straight and level surfaces and ensure that all four steering castors stand securely on the floor.
- ⚠ When the bed is placed in position, make sure that no obstacles are present inside the entire adjustment range.
- ⚠ If the patient is not supervised, the bed must be adjusted beforehand to the lowest position to reduce the danger of injury by falling when getting into, getting out of, or lying on the bed.
- ⚠ If the patient is not under supervision, the side-rail on both sides should be raised to the highest position. The railings may only be lowered on one or both sides when a supervisor is present.
- ⚠ Watch your hands when assembling, disassembling or using the bed -- danger of squeezing!
- ⚠ When transporting the bed, grasp it only by solid frame parts and wooden parts.
- ⚠ All four steering castors must always be locked before using the nursing bed.
- ⚠ Medical-electrical treatments are forbidden inside the nursing bed!
- ⚠ Do not lean against or on the side railings -- Risk of accidents!
- ⚠ Avoid leaning out sideways with the upper body -- Risk of accidents!
- ⚠ Do not rest your legs on other objects -- Risk of accidents!
- ⚠ When adjusting hinges, joints or other clamps, make sure that no body parts or objects are present -- Risk of squeezing!
- ⚠ Do not place your hands between the frame and the mattress when adjusting leg or back rests -- Risk of squeezing!
- ⚠ Use only power sockets conforming to VDE (220 V / 230 V, 50 Hz) for plugging in.
- ⚠ Plugs must only be pulled out by grasping the plug itself; never pull on the lead.
- ⚠ Lock manual operation with the lock function on the manual control each time after use.
- ⚠ The nursing bed must only be used in dry rooms.
- ⚠ Only use mattresses which comply to the prescriptions of the bed manufacturer.
- ⚠ If the lifting pole is damaged, it should be replaced.
- ⚠ The side railings must be fitted even if the relevant side is situated against the wall.
- ⚠ Do not undertake repairs on your own -- risk of accidents!
- ⚠ Do not open any housings of the driving system -- risk of accidents!
- ⚠ Transportation of the bed shall be only without the patient.
- ⚠ Make sure that all power leads are laid without kinks, shearing or other mechanical damages.
- ⚠ All cables should be laid without making contact to the floor and without kinks.
- ⚠ No additional mechanical or electric appliances may be used or fitted.
- ⚠ Servicing, inspection, repairs and disinfection should only be undertaken by authorized, trained persons.
- ⚠ Use only genuine replacement parts of the manufacturer for your nursing bed.
- ⚠ Do not exceed the maximum load as stated by the manufacturer.
- ⚠ The use of open flames like candles or glowing objects like cigarettes is forbidden inside the nursing bed.
- ⚠ Replace the side railings if they are bent or broken, otherwise there is a risk of the patient falling out of the bed.

- ⚠ Use of your bed could influence other electrical devices (noises). Avoid using such devices at the same time.
- ⚠ Obey all safety and operational instructions.
- ⚠ Electrically operated bed is placed with a distance to the power supply plug.
- ⚠ The medical bed shall only be used with a hoist that can be positioned under the limited space of the medical bed.

2 Use

This chapter describes the everyday use. **These instructions are for the user and the specialist dealer.**

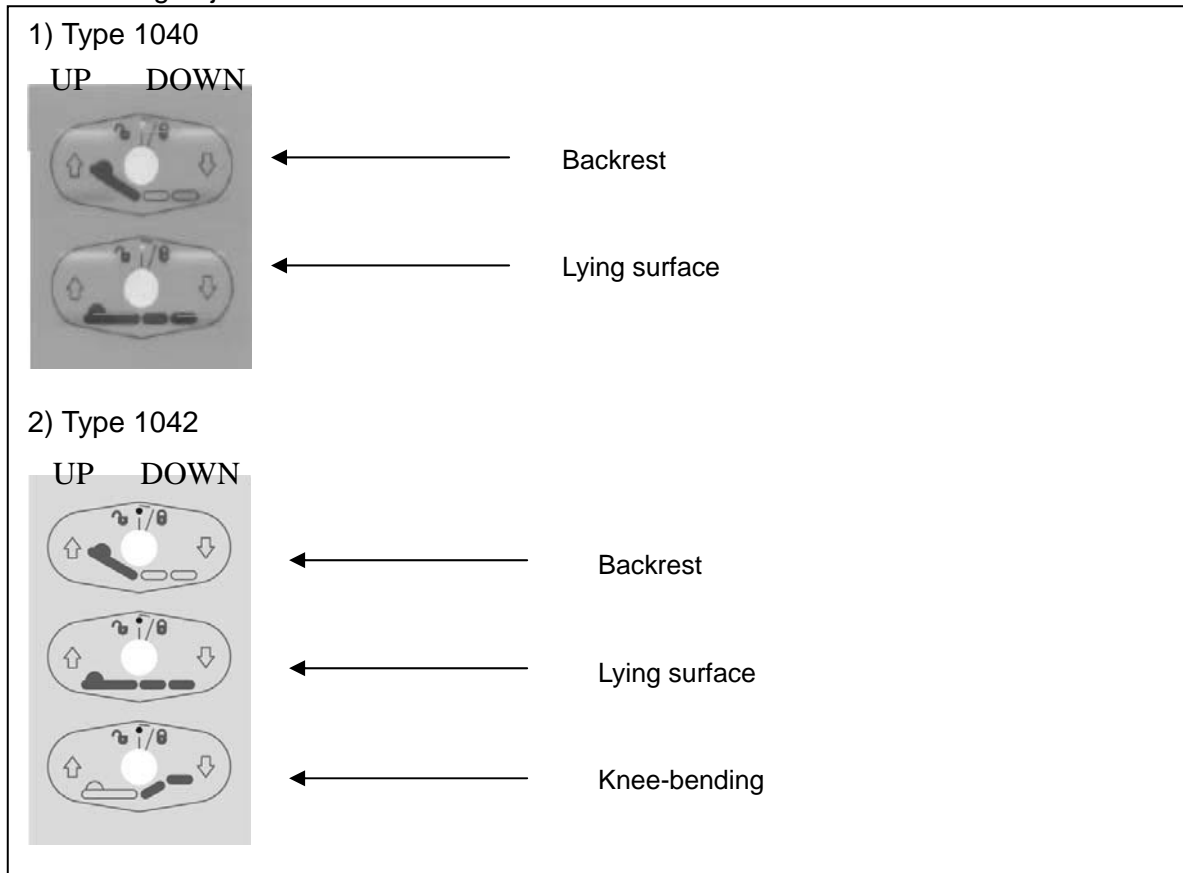
The bed is delivered fully assembled by your specialist dealer. The instructions intended for the specialist dealer on how to set up the bed are given in § 3.

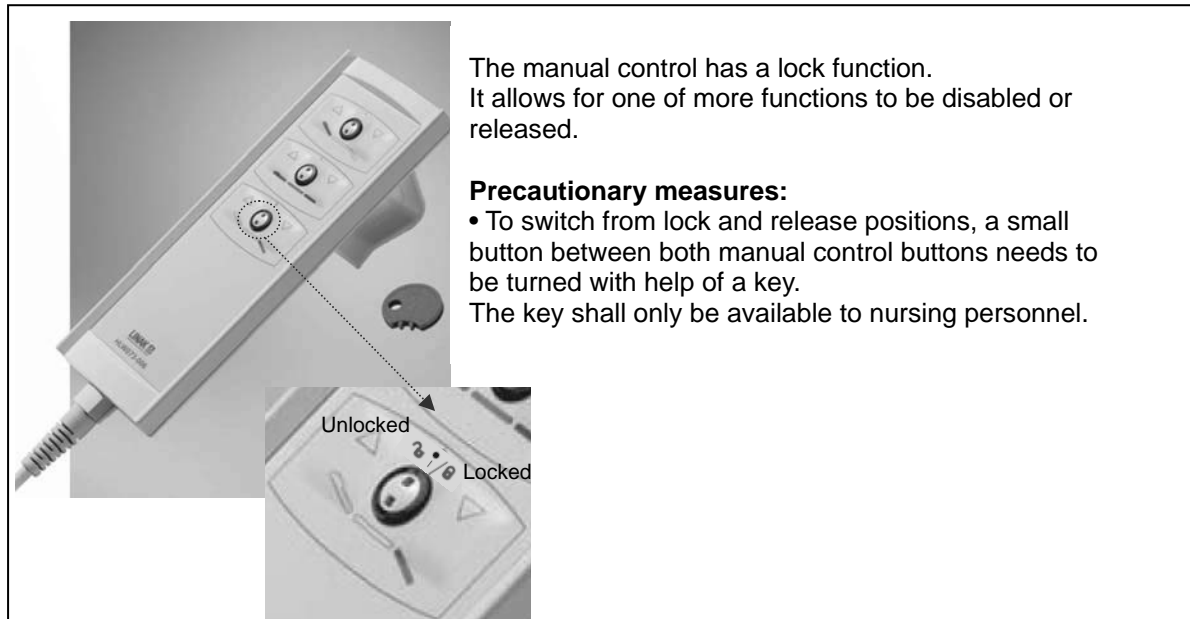
- ⚠ **WARNING: Risk of electrical shock - Ensure that no cables become squeezed.**
- ⚠ **WARNING: The medical bed shall only be used with a hoist that can be positioned under the limited space of the bed.**

2.1 Control pendant with lock function

The height of the bed surface, the angle of the backrest and the knee-bending angle can be adjusted with the control pendant. Lock and mount the control pendant on the side rail after use.

The following adjustments can be affected:



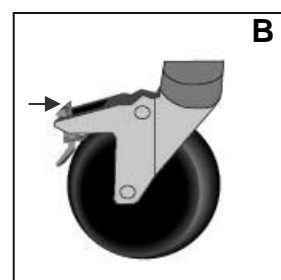
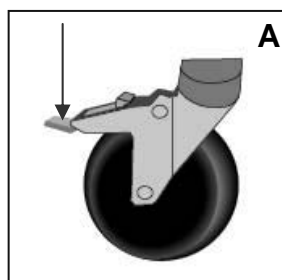


2.2 Operating the steering casters

- ⚠ **WARNING:** Good operation of the steering casters is influenced by wear and contamination of the tires (water, oil, ...) – Check the condition of the tires before each use.
- ⚠ **WARNING:** The steering casters can wear – Check the operation of the steering casters before each use.
- ⚠ **WARNING:** Danger of accidents - All steering casters should always be braked. If only one caster is braked, the bed can still move.

All steering wheels can be locked to prevent involuntary movements.

- **Securing (A)**
Push the surface of the tilting lever downwards by foot until it brakes the wheel.
- **Releasing (B)**
Push the surface of the tilting lever forwards by foot until the wheel is released.

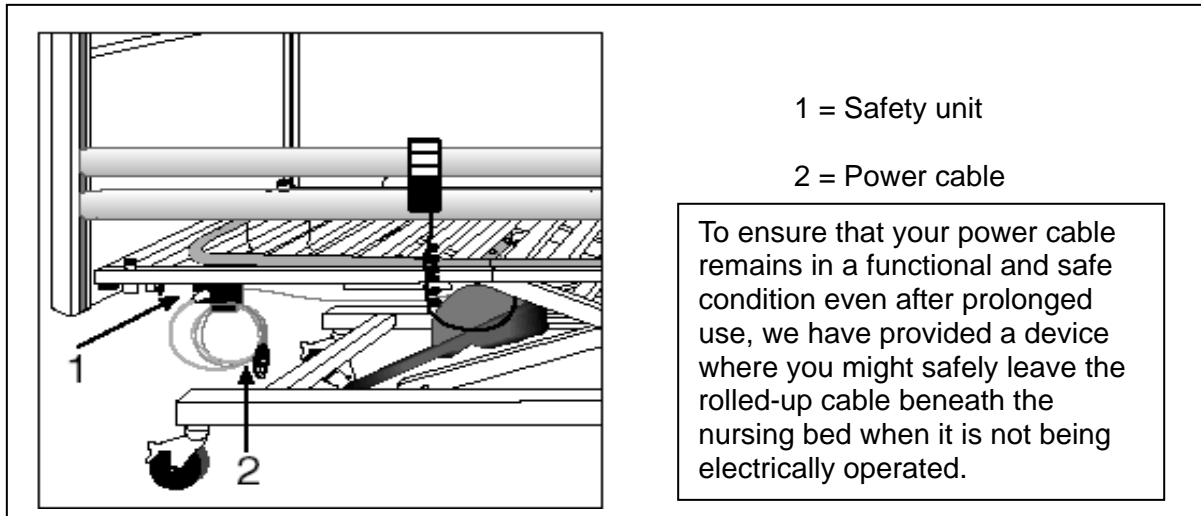


2.3 Strain relief

- ⚠ **WARNING:** Do not remove the relief unit.
- ⚠ **WARNING:** Nothing must be fitted to or hung on the relief unit.
- ⚠ **WARNING:** The power cable must be carefully positioned without kinks, without pulling, and without touching the floor.

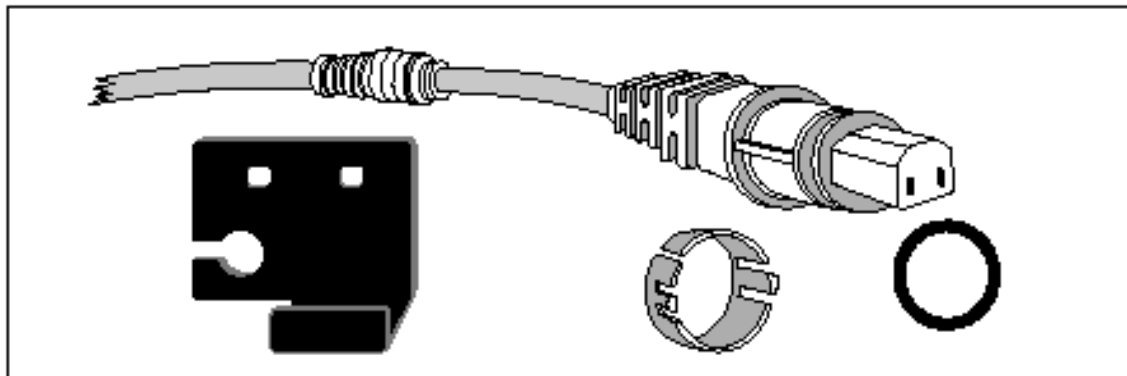
For your safety the power cable is fitted with a relief device that prevents the power plug from being pulled away from the transformer, this may break the cable or reduce the effectiveness of the spray water protection of the system.

At the same time it avoids involuntary driving over the power cable if it should lie beneath the bed. This relief unit is mounted ready for use.



2.4 Power cable

To ensure that your power cable stays properly functional and in a technically secure condition even after prolonged use, and in the case that you do not operate your bed electrically, we have provided a device where you can safely leave the rolled-up cable beneath the nursing bed.

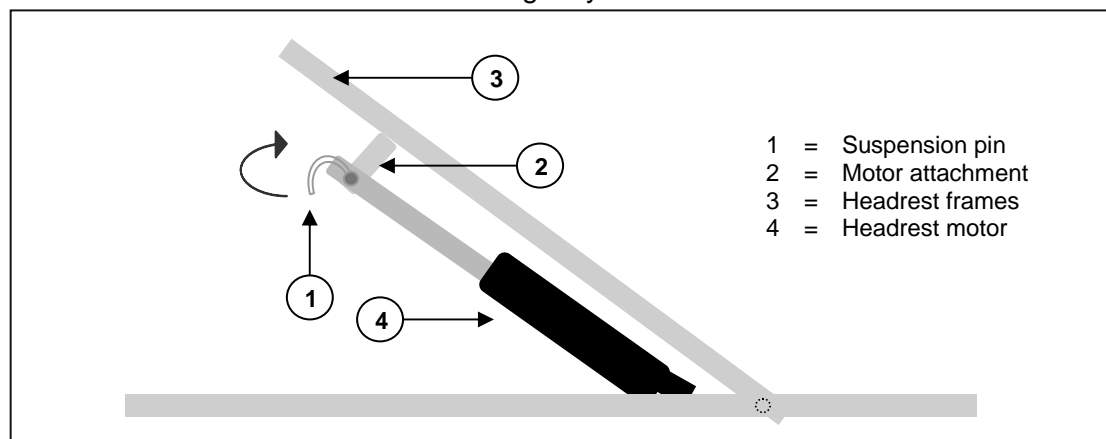


2.5 Emergency lowering of the headrest

- ⚠ **WARNING: Risk of injury - Make sure that there are no objects or body parts between the headrest and the frame.**
- ⚠ **WARNING: Risk of injury - Emergency lowering is only permitted if at least two persons are available.**

The headrest can be lowered manually (emergency lowering in the case of motor failure).

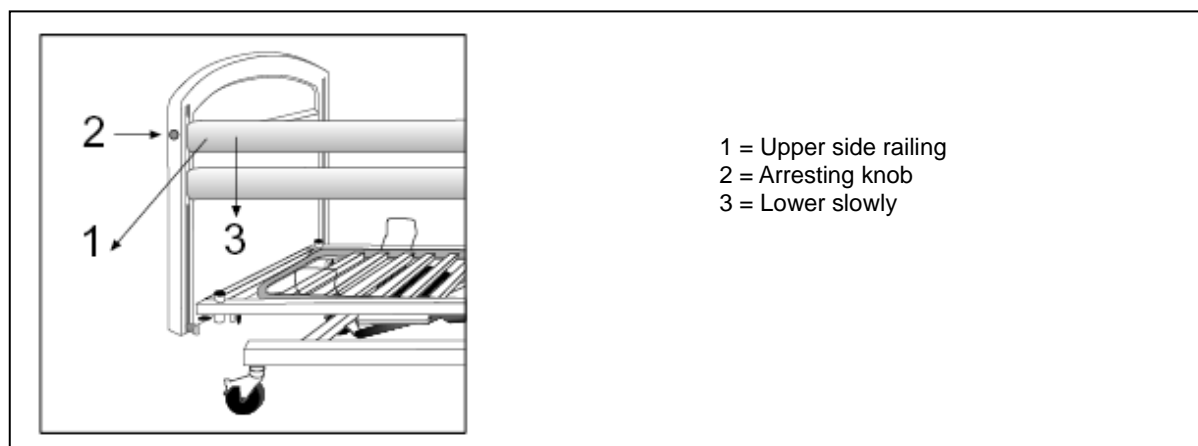
- Procedure:
1. Firmly grasp the head-rest to prevent it from falling.
 2. A second person can release the suspension pin by folding the securing batch and pulling the pin from the motor suspension.
 3. Lower the head-rest gently.



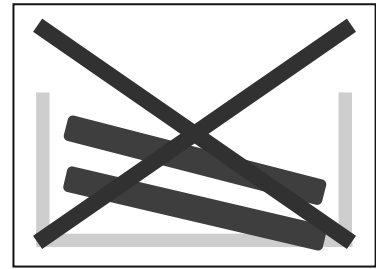
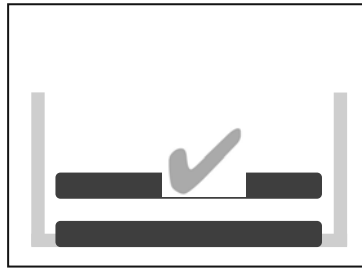
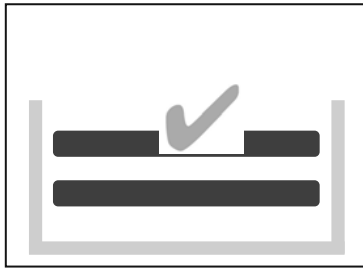
2.6 Side railings

The side railings can be lowered on one side.

- **Lowering**
 - ⚠ **WARNING: Risk of injury - Secure the side railings against falling involuntarily.**
 - ⚠ **WARNING: Risk of injury - No objects or body parts may extend above the lying surface!**
 - ⚠ **WARNING: Risk of injury - Do not lower any of the side railings on one side if the patient is not supervised.**
1. Raise the upper side slat gently.
 2. Press the knob ② on the side of the headrest or foot-end.
 3. Lower the side rail gently. (Always take hold of the upper wooden slat only !)

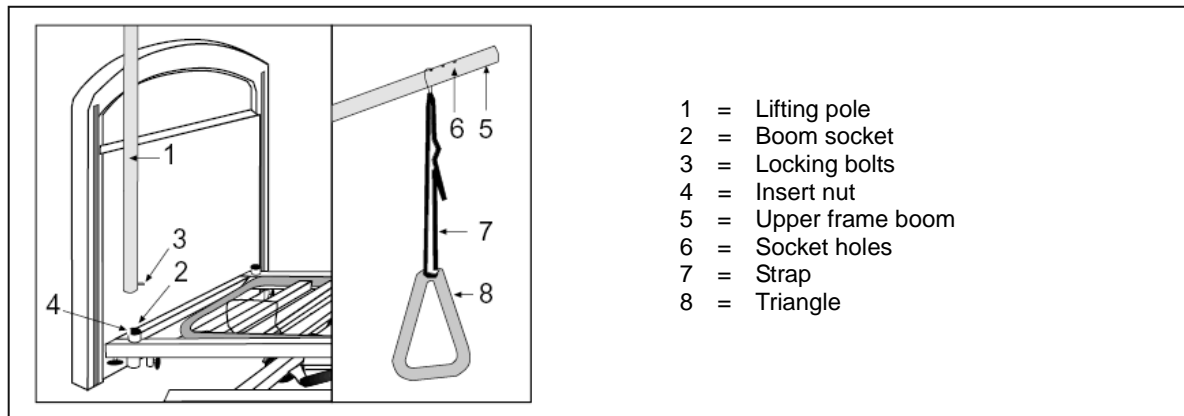


Make sure that the bed's functions are not impaired when raising or lowering the side-rails, for example when using wedges to ensure the patient's safety.



2.7 Lifting pole

The lifting pole can be mounted on either side of the headrest.



- Insert the boom (1) as far as it will go into the relevant socket (2).
- Let the arresting bolts (3) slide into the groove (4).
- Pull the metal loop over the end of the upper frame (5) until the bolts engage one of the three socket holes (6).
- Also pull strap (7) into the metal loop and through the triangle (8); then fix its length. Secure the strap.

2.8 Transfer in and out the bed

⚠ CAUTION: Risk of falling - In case you can't perform the transfer in a safe manner, ask someone to assist you.

1. Position you as close as possible to the bed.
2. Check the brakes from the bed are in the on position.
3. Remove or fold down the side railings of the bed.
4. Transfer to/from the bed.

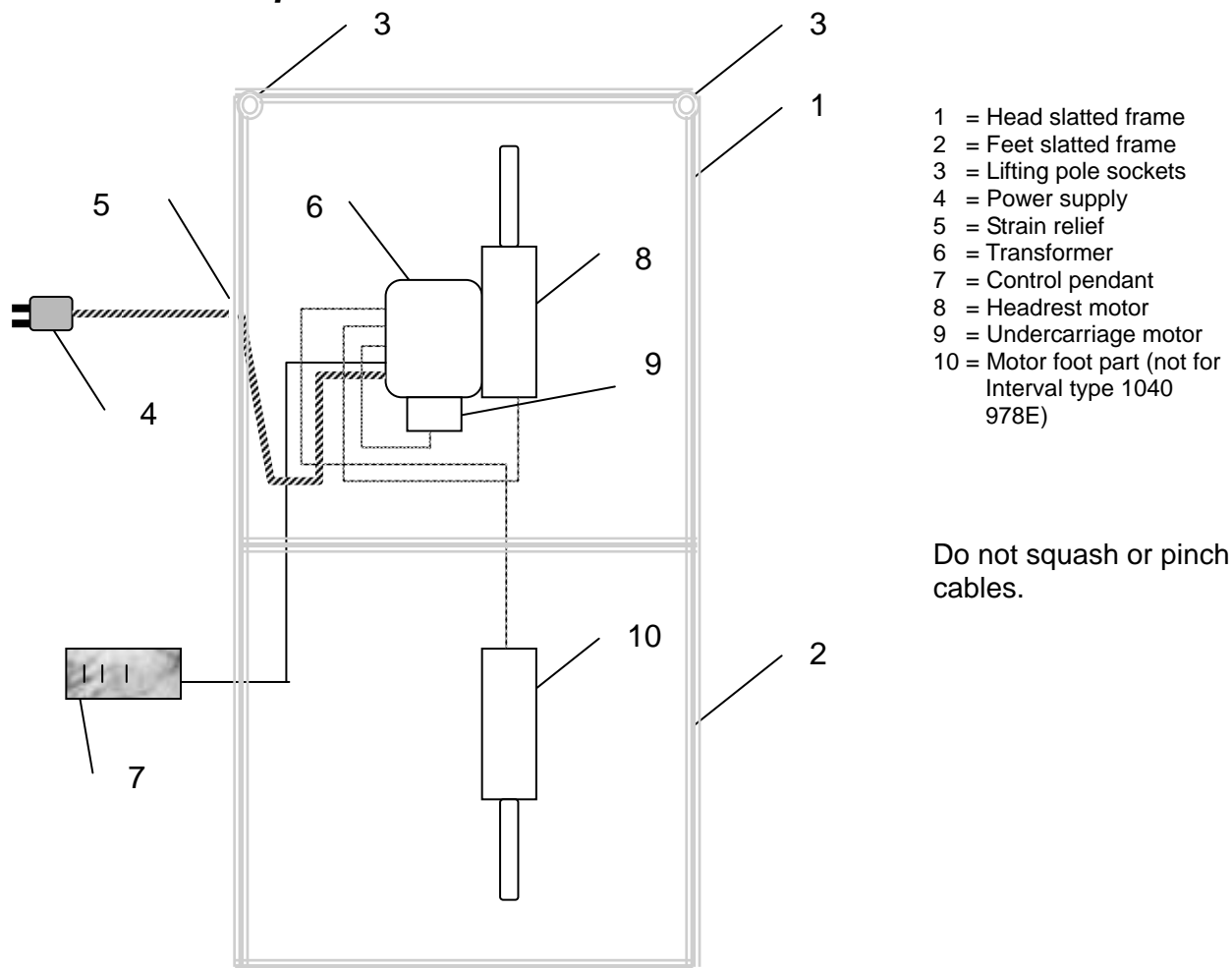
2.9 Transport

⚠ WARNING: Risk of injury – Make sure that the bed is attached properly in the car or truck.

⚠ WARNING: Risk of injury – Transportation of the bed shall be only without the patient.

To avoid damage when transported, the lifting pole should be detached. Unplug the power cable and check that no cables hang near the floor.

2.10 Cable placement



3 Installation and adjustment

The instructions in this chapter are for the specialist dealer.

To find a service facility or specialist dealer near you, contact the nearest Vermeiren facility. A list of Vermeiren facilities can be found on the last page.

⚠ WARNING: Risk of unsafe settings - Use only the settings described in this manual.

3.1 Tools

To set up the bed the following tools are needed.

- Allen key
- Screwdriver

3.2 Manner of delivery

The Vermeiren Interval shall be delivered with:

1) Interval type 1040 90 cm

- Undercarriage with hinged system (972) Approx. 30 kg (66.1 lb.)
- Slatted frame, foot-end (978E) Approx. 25 kg (55.1 lb.)
- Slatted frame, headrest incl. transformer and motor (978E) Approx. 25 kg (55.1 lb.)
- Wooden blind (head and foot-end) (965) Approx. 26 kg (57.3 lb.)
- Side railings (2 x 2 wooden slats) (969) Approx. 11 kg (24.3 lb.)
- Lifting pole + triangular grip (968) Approx. 7 kg (15.4 lb.)
- Manual operation (with 978E)
- Allen key (for assembly) (with 965)
- Instruction Manual

2) Interval type 1042 90cm

- Undercarriage with hinged system (972) Approx. 30 kg (66.1 lb.)
- Slatted frame, foot-end incl. motor (977E) Approx. 28 kg (61.7 lb.)
- Slatted frame, headrest incl. transformer and motor (977E) Approx. 25 kg (55.1 lb.)
- Wooden blind (head and foot-end) (965) Approx. 26 kg (57.3 lb.)
- Side railings (2 x 2 wooden slats) (969) Approx. 11 kg (24.3 lb.)
- Lifting pole + triangular grip (968) Approx. 7 kg (15.4 lb.)
- Manual operation (with 977E)
- Allen key (for assembly) (with 965)
- Instruction Manual

3) Interval type 1042 120 cm

- Undercarriage with hinged system (972) Approx. 35 kg (77.2 lb.)
- Slatted frame, foot-end incl. motor (977E) Approx. 33 kg (72.8 lb.)
- Slatted frame, headrest incl. transformer and motor (977E) Approx. 30 kg (66.1 lb.)
- Wooden blind (head and foot-end) (965) Approx. 26 kg (57.3 lb.)
- Side railings (2 x 2 wooden slats) (969) Approx. 11 kg (24.3 lb.)
- Lifting pole + triangular grip (968) Approx. 7 kg (15.4 lb.)
- Manual operation (with 977E)
- Allen key (for assembly) (with 965)
- Instruction Manual

4) Interval type 1042 140 cm

- Undercarriage with hinged system (972) Approx. 40 kg (88.2 lb.)
- Slatted frame, foot-end incl. motor (977E) Approx. 38 kg (83.8 lb.)
- Slatted frame, headrest incl. transformer and motor (977E) Approx. 35 kg (77.2 lb.)
- Wooden blind (head and foot-end) (965) Approx. 26 kg (57.3 lb.)
- Side railings (2 x 2 wooden slats) (969) Approx. 11 kg (24.3 lb.)
- Lifting pole + triangular grip (968) Approx. 7 kg (15.4 lb.)
- Manual operation (with 977E)
- Allen key (for assembly) (with 965)
- Instruction Manual

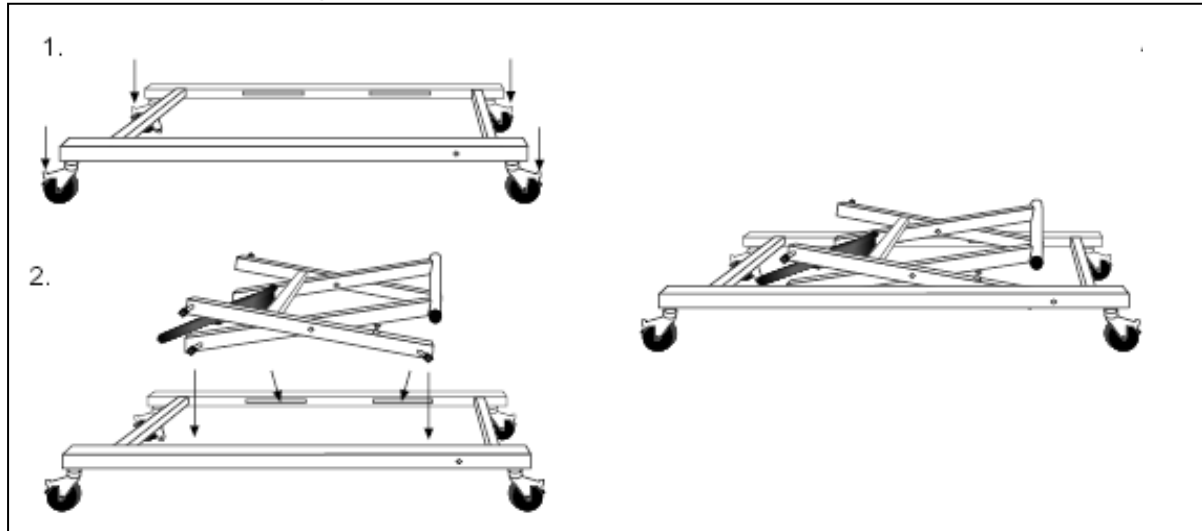
The nursing bed may only be used with the parts listed here. If parts are omitted or if foreign furnishings, components or electrical systems are included, then this bed is not regarded as a nursing bed supplied by the manufacturer, and you use it at your own risk. Then the CE conformity and the warranty of the manufacturer do not apply.

3.3 Assembly

- ⚠ **CAUTION:** Chance of pinching - Do not place fingers between the components of the bed.
- ⚠ **CAUTION:** Risk of clamping - Keep fingers away from moving parts of the bed.

You should obey the assembly instructions of your nursing bed as explained below.

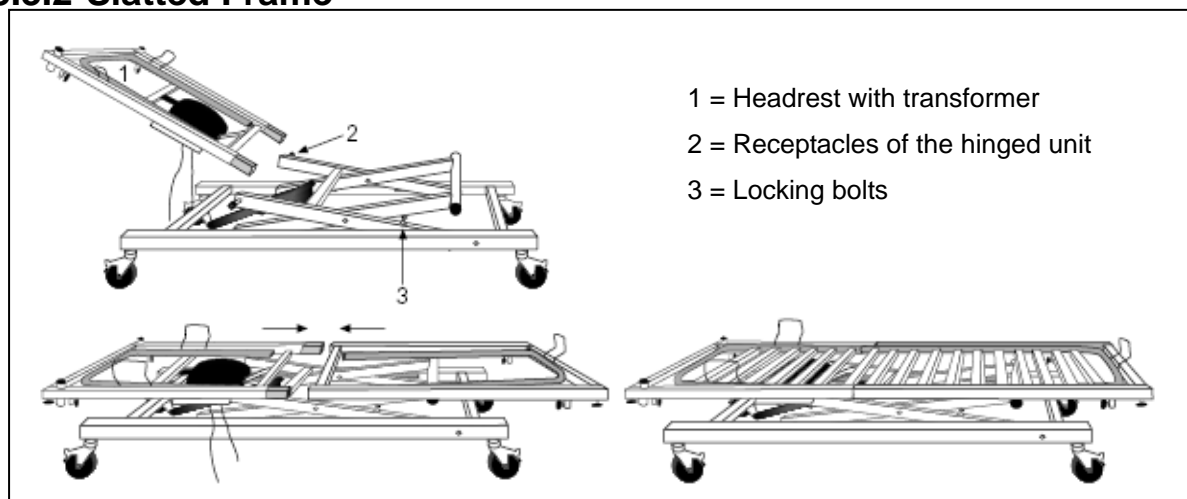
3.3.1 Undercarriage



1. Position the frame with the steering castors on a smooth, level surface and lock the castors by treading on the arresting levers.
2. Insert the hinged unit in such a way that the arresting bolts engage properly.

Protect the electric lead to the motor against damage by squashing.

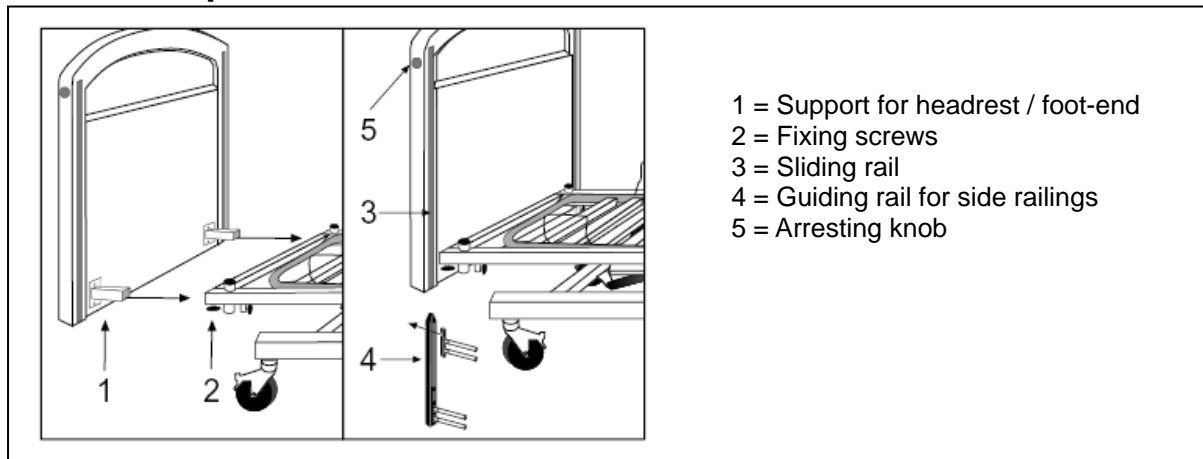
3.3.2 Slatted Frame



1. Headrest (with transformer) should be placed in the black receptacles of the hinged structure. The locking bolts of the slatted frame are for security.
2. Pull the foot-end with its rails from the rear over the rollers of the hinged unit.
3. Push the coupling tubes into each other and secure them on both sides with the fixing screws.
4. Lay the slats on the guides and gently press them in to position.

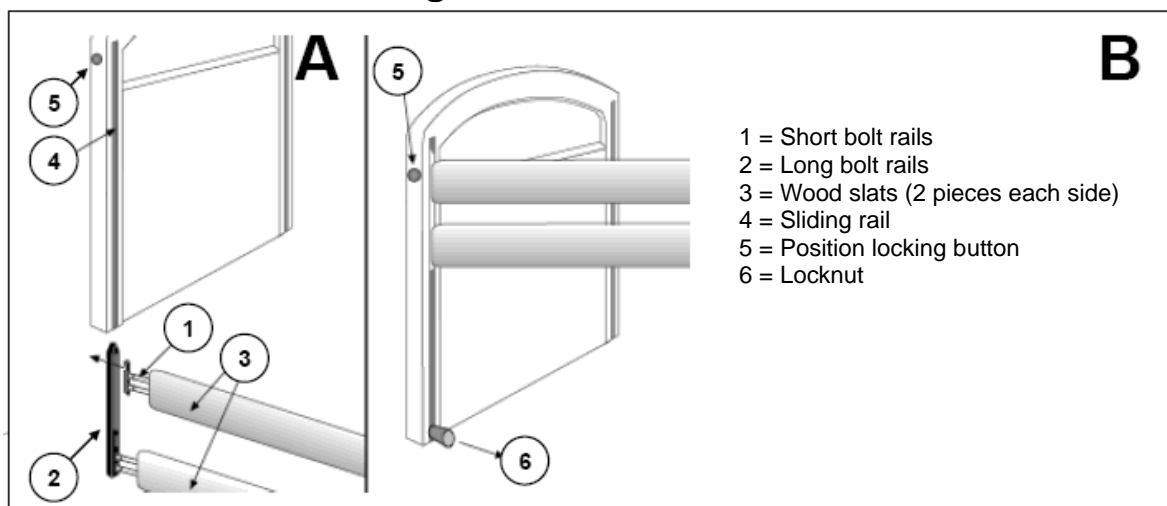
Protect the electric lead to the motor against damage by squashing.

3.3.3 Head part / foot-end



1. Fit the supports for the headrest and the foot-end by means of the screws and washers provided (preparatory assembly).
2. Insert the wooden uprights in the end tubes of the slatted frame and secure them with the fixing screws.
3. Push the guide rails for the side railings with the sharp edge pointing upwards into the guide rails of the head and foot sections until fully engaged.

3.3.4 Wooden side railings



- A.** Insert the short bolt rails (1) on the right and left in the upper wooden slat. Insert the long bolt rails (2) right and left in the lower wooden slat.

Insert the long bolt rails (2) in the wooden slat in the sliding rail for the head and foot section one by one and secure them by inserting the rails until the upper end is inserted and clicks. On one side release this rail again until the tip by pressing the position locking button (5) and pulling the upper wooden slat gently upwards.

Let the bolt rails (2) fall from the sliding rail once more until the tip of the rail is just barely in the guide. The short bolt rail (1) can now be inserted together with the wooden slat between the walls of the long bolt rails and the entire bolt rail system (1) + (2) can be placed in the relevant sliding rail (4) by pulling upwards when grasping only the upper wooden slat and then locking the structure in position.

- B.** Insert the locknuts (6) and tighten them manually.



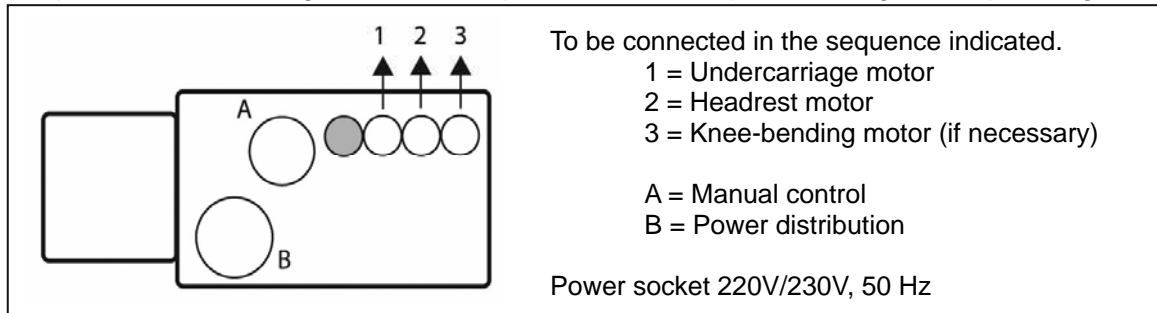
3.3.5 Transformer connections

- ⚠ **CAUTION: Risk of injury - Do not touch the plug with wet hands.**
- ⚠ **CAUTION: Risk of injury - Do not place any objects on the connection and the lead, and protect these against mechanical loads.**
1. A 220 V / 230 V, 50 Hz power socket conforming to the VDE specifications is required
 2. The diagram for the transformer connections is given in the figure below:

Take hold of the plug only to remove it from the power socket.

The power lead must be laid without any loops or kinks and should not pass around sharp edges.

The power cable leading to the control pendant must be protected against squeezing.



4 Maintenance

For the maintenance manual of the beds refer to the Vermeiren website:
www.vermeiren.com.



Contents

Préface..... 2

1 Description du produit 3

1.1 Utilisation prévue3

1.2 Caractéristiques techniques4

1.3 Composants5

1.4 Explication des symboles5

1.5 Accessoires.....6

1.6 Pour votre sécurité.....6

2 Utilisation 7

2.1 Commande manuelle avec fonction de blocage7

2.2 Actionnement des freins8

2.3 Soulagement de traction8

2.4 Câble secteur9

2.5 Descente d'urgence du dossier.....9

2.6 Barreaux latéraux 10

2.7 Potence de levage 11

2.8 Transfert dans et hors du lit..... 11

2.9 Transport 11

2.10 Câblage.....12

3 Installation et réglage 12

3.1 Outils 12

3.2 Mode de livraison..... 13

3.3 Assemblage 14

4 Maintenance 16



Préface

Nous tenons tout d'abord à vous remercier de nous avoir fait confiance en choisissant l'un de nos lits.

Les lits Vermeiren sont le résultat de nombreuses années de recherche et d'expérience. Au cours du développement, une attention spéciale a été portée sur la facilité d'utilisation et les possibilités d'entretien du lit.

La longévité de votre lit sera largement fonction des soins et de l'entretien dont celui-ci fera l'objet.

Ce manuel vous aidera à connaître le fonctionnement de votre lit.

Le respect des instructions d'utilisation et des instructions de maintenance est une condition essentielle de la garantie.

Ce manuel reflète les derniers développements du produit. Vermeiren est autorisé à apporter des modifications sans devoir pour autant adapter ou remplacer les modèles fournis précédemment.

Pour toute question, consultez votre distributeur.

1 Description du produit

1.1 Utilisation prévue

Avec le modèle Interval, vous avez fait l'acquisition d'un lit de soin entièrement conçu pour votre confort. Ce lit vous offre différentes possibilités de réglage individuel expliquées ci-après. Lisez donc attentivement le mode d'emploi pour vous familiariser avec votre lit de soin.

Le lit médicalisé est destiné à un seul patient (d'au moins 12 ans, jusqu'à poids max. du patient (voir tableau 1))

Il sera utilisé avec un matelas adapté (min. RG 35, épaisseur 120 mm, 20 kg max.)

La construction modulaire du lit permet une utilisation complète par des personnes souffrant de handicap, des personnes âgées en cours de réhabilitation en milieu familial.

En cas de fourniture pour des besoins individuels :

- la taille et le poids (maximum 150 kg pour Interval 90 cm, maximum 240 kg pour Interval 120 cm, maximum 240 kg pour Interval 140 cm),
- l'état physique et psychologique,
- la nature de la résidence,
- l'environnement

doivent être pris en considération.

Il sera utilisé en environnement d'application de type 4 en ISO 60601-2-52: "soins à domicile avec équipements médicaux destinés à atténuer l'incidence de blessures, d'un handicap ou d'une maladie".

Il doit être utilisé sur un sol plan permettant aux quatre roues d'être en contact avec le sol.

Le lit ne doit pas être utilisé comme échelle, ni pour le transport d'objets lourds ou chauds.

Tapis, moquettes et revêtements flottants sont susceptibles d'être endommagés par les roulettes et ne permettent pas de faire rouler facilement le lit (sans le patient).

Utilisez uniquement des accessoires approuvés par Vermeiren. Il est interdit de combiner le lit avec d'autres produits ou équipements et avec d'autres appareils électriques.

Le fabricant n'est pas responsable des dommages causés par l'absence ou l'inadéquation de l'entretien, ou par le non-respect des instructions de ce manuel.

Le respect des instructions d'utilisation et de maintenance est une condition essentielle de la garantie.



1.2 Caractéristiques techniques

(spécifiées à l'état entièrement monté)

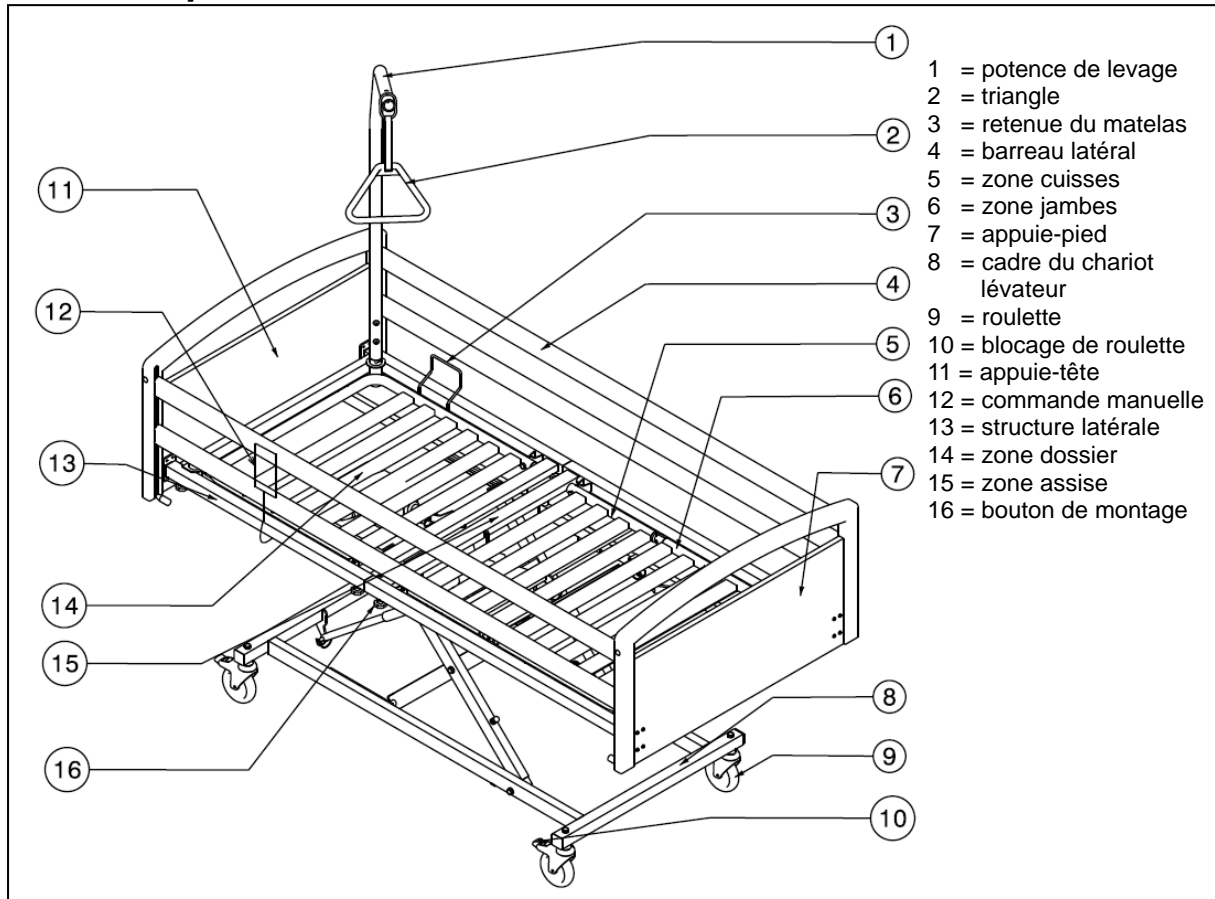
Marque	Vermeiren			
Adresse	Vermeirenplein 1/15, B-2920 Kalmthout			
Type	Lit			
Modèle	Interval, Interval 120 cm, Interval 140 cm			
Description	Interval 90 cm	Interval XXL		
		Interval 120 cm	Interval 140 cm	
Poids max. du patient	Charge nominale 150 kg	Charge nominale 240 kg	Charge nominale 240 kg	
Longueur	2080 mm			
Largeur	1030 mm	1330 mm	1530 mm	
Hauteur (sans potence de levage)	840 mm - 1275 mm	860 mm - 1295 mm	860 mm - 1295 mm	
Hauteur (avec potence de levage)	1870 mm - 2305 mm	1900 mm - 2335 mm	1900 mm - 2335 mm	
Surface de couchage réglable en hauteur	En continu de 370 à 805 mm (sans matelas)			
Masse totale (excl. barre latérale, potence de levage et triangle)	106 kg	124 kg	139 kg	
Réglage du dossier	70.5°			
Angle max. de la cuisse	28.5°			
Angle max. de la jambe	-20.5°			
Charge utile sûre max.	185 kg	275 kg	275 kg	
Potence de levage	Charge nominale 80 kg			
Matelas	Min. RG 35, 120 mm d'épaisseur, 2000 x 900 mm, max. 20 kg	Min. RG 35, 120 mm d'épaisseur, 2000 x 1200 mm, max. 20 kg	Min. RG 35, 120 mm d'épaisseur, 2000 x 1400 mm, max. 20 kg	
Hauteur de passage pour le souleve-malade	145 mm			
Roulettes directrices (4 x)	Ø 125 mm, blocables			
Moteur des parties avant	LA31.28-300-24-001, Linak			
Moteur du dossier	LA31.2JB-100-24-301, Linak			
Moteur de la zone jambes	LA31.2J-100-24-301, Linak			
Commande manuelle	HLW072-002, Linak (Interval type 1040) HLW073-005, Linak (Interval type 1042)	HLW073-005, Linak (Interval type 1042)	HLW073-005, Linak (Interval type 1042)	
Transfo	CB 09SO-3T-24, Linak			
Tension nominale du transfo	U in: 230 V~, ± 10%, 50 Hz, I in: max. 1.5 A, U out: 24V ---, max. 70 VA			
Facteur de service	10%, max. 6 min/heure			
Niveau sonore	< 65 dB(A)			
Classe de protection / degré de protection	Classe de protection II, pièce d'application type B / IPX4 (protégé contre les projections d'eau)			
Température de stockage et d'utilisation	+ 5 °C		+ 41 °C	
Humidité de stockage et d'utilisation	30%		70%	
<p>Nous nous réservons le droit d'apporter des modifications techniques. Tolérance de mesure ± 15 mm / 1,5 kg / ° * Charge utile sûre max. = poids max. du patient + masse matelas + masse autres accessoires</p>				

Tableau 1 : Caractéristiques techniques

Le lit est conforme aux normes suivantes :

- EN 1970 : lits réglables pour personnes handicapées, exigences et méthodes de test
 EN 1970+ A1: lits réglables pour personnes handicapées : exigences et méthodes de test
 EN 60601-2-38/A1: Equipements médicaux électriques - Partie 2-38 : exigences particulières en matière de sécurité des lits hospitaliers à commande électrique

1.3 Composants



1.4 Explication des symboles

- Poids maximum
- Conformité CE
- Directives en matière de sécurité
- Lire le mode d'emploi
- Procédure /utilisation correctes
- Procédure /utilisation incorrectes
- Classe de protection II
- Partie d'application type B
- Désignation type



1.5 Accessoires

⚠ **AVERTISSEMENT: des précautions devront être prises en cas d'utilisation d'accessoires non répertoriés ci-dessous.**

- Bois poste soignant

1.6 Pour votre sécurité

- ⚠ Avant d'utiliser ce lit de soin, lisez attentivement le mode d'emploi.
- ⚠ Positionnez et utilisez votre lit de soin uniquement sur des surfaces droites et planes pour que les quatre roulettes directrices reposent solidement sur le sol.
- ⚠ À l'endroit où vous installez le lit, vérifiez bien qu'il n'y a aucun obstacle dans l'ensemble de la zone de réglage.
- ⚠ Si le patient reste sans surveillance, il faut d'abord abaisser le lit dans la position la plus basse pour réduire le risque de blessure en cas de chute si le patient se met dans le lit, quitte le lit ou se couche dans le lit.
- ⚠ Si le patient reste sans surveillance, il faut relever les barreaux latéraux de chaque côté. L'abaissement d'un seul côté ou des deux côtés n'est autorisé qu'en présence d'un(e) surveillant(e).
- ⚠ Faites attention à vos mains lors du montage/démontage et lorsque vous utilisez le lit - risque d'écrasement !
- ⚠ Pour transporter le lit, saisissez-le uniquement par des éléments fixes du cadre ou par des éléments fixes en bois.
- ⚠ Il faut toujours bloquer les quatre roulettes directrices avant d'utiliser le lit.
- ⚠ Il est interdit d'utiliser des appareils médicaux électriques à l'intérieur du lit de soin !
- ⚠ Ne vous appuyez pas contre ou sur les barreaux latéraux - Risque d'accident !
- ⚠ Éviter de pencher le buste à l'extérieur sur le côté - Risque d'accident !
- ⚠ Ne pas soulager les jambes en les posant sur d'autres objets - Risque d'accident !
- ⚠ Ne pas laisser des parties du corps ou des objets entre les charnières, les articulations ou d'autres éléments de serrage pendant un réglage - Risque d'écrasement !
- ⚠ Lors du réglage pour les jambes ou le dos, ne pas glisser les mains entre le cadre et le matelas - Risque d'écrasement !
- ⚠ Utilisez la fiche secteur uniquement dans une prise de courant conforme à VDE (220V/230V, 50 Hz).
- ⚠ Débranchez les connexions électriques en tirant sur la fiche et non sur le fil.
- ⚠ Après chaque utilisation, verrouillez la commande manuelle à l'aide du fonction de blocage sur la commande manuelle
- ⚠ Utilisez votre lit de soin uniquement dans des locaux secs.
- ⚠ Utilisez uniquement un matelas qui répond aux spécifications du fabricant du lit.
- ⚠ Si la potence est déformée, il faut la remplacer.
- ⚠ Les barreaux latéraux doivent rester montés même du côté tourné vers le mur.
- ⚠ N'effectuez aucune réparation vous-même - Risque d'accident !
- ⚠ N'ouvrez aucun carter du système d'entraînement - Risque d'accident !
- ⚠ Le transport du lit doit toujours être effectué sans le patient.
- ⚠ Veillez à ce que les circuits d'alimentation ne présentent aucun nœud ouvert, signe de cisaillement, ni aucun autre dommage mécanique
- ⚠ Il faut poser les câbles de manière à ce qu'il n'y ait aucun contact avec le sol et à ce que ceux-ci ne soient pas écrasés.
- ⚠ Il est interdit d'utiliser ou d'installer des appareils mécaniques ou électriques supplémentaires.
- ⚠ L'entretien, l'inspection, la remise en état et la désinfection ne peuvent être exécutés que par des personnes autorisées et formées.
- ⚠ Utilisez uniquement des pièces d'origine du fabricant pour votre lit de soin.
- ⚠ Ne chargez pas votre lit de soin au-delà de la valeur spécifiée par le fabricant (max.

- 140 kg).
- ⚠ Dans le lit de soin, les flammes ouvertes ou les corps incandescents sont interdits (bougies, cigarettes, etc.)
 - ⚠ Remplacez vos barreaux latéraux s'ils sont déformés ou ouverts pour éviter les chutes en bas du lit.
 - ⚠ l'utilisation de votre lit peut influencer d'autres appareils électriques (parasites). Evitez de les employer en même temps.
 - ⚠ Respectez les consignes de sécurité et le mode d'emploi.
 - ⚠ Le lit électrique doit être placé à distance de la prise d'alimentation secteur.
 - ⚠ Il doit être exclusivement utilisé avec un lève-personne pouvant être positionné sous le lit médicalisé.

2 Utilisation

Ce chapitre décrit l'utilisation quotidienne. **Ces instructions sont destinées à l'utilisateur et au distributeur.**

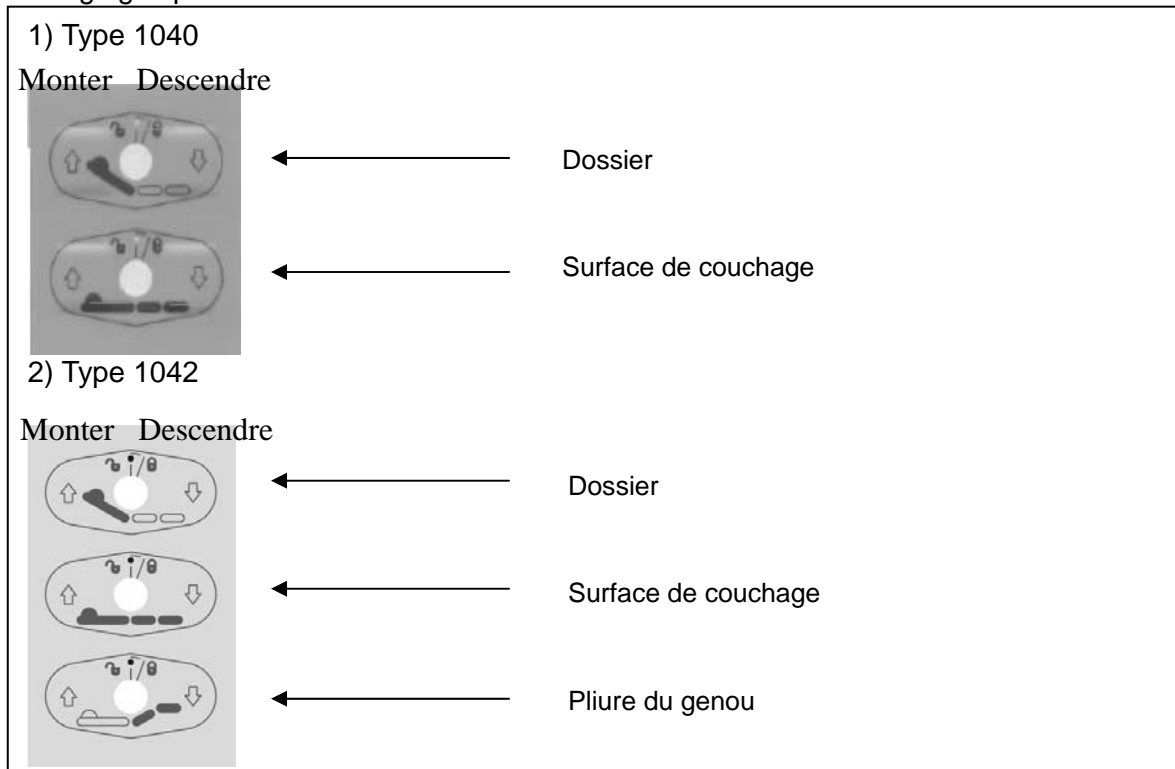
Le lit est livré entièrement assemblé par votre distributeur. Les instructions destinées au distributeur pour le réglage du lit sont indiquées au § 3.

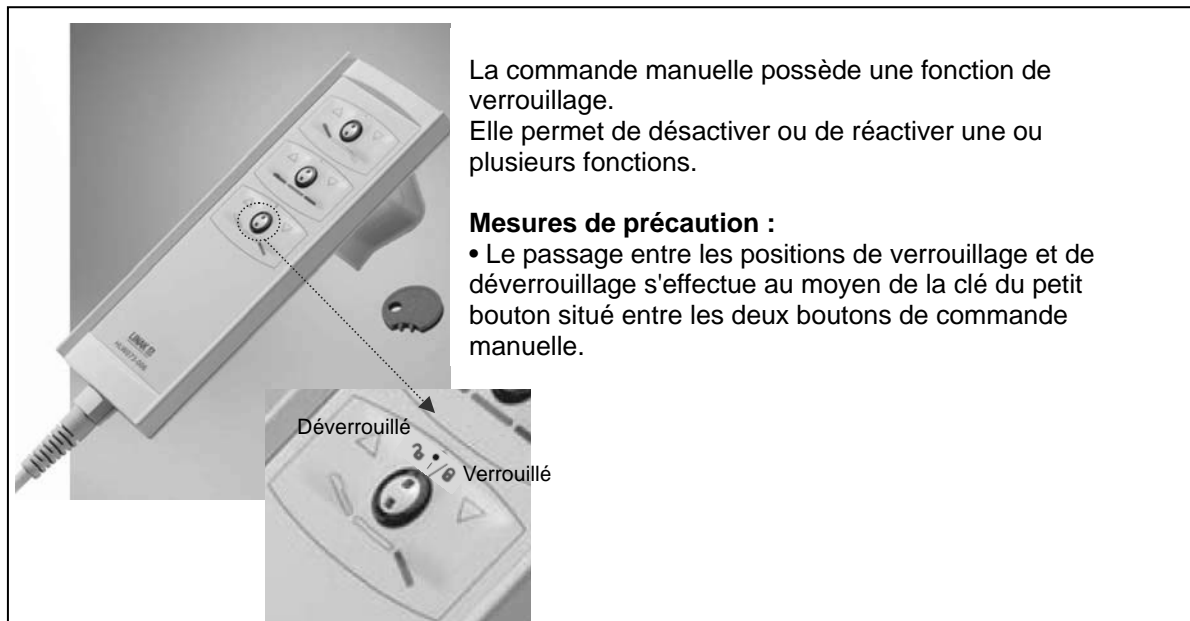
- ⚠ **AVERTISSEMENT: Risque de choc électrique - Veillez à ce que les câbles ne soient pas pincés.**
- ⚠ **AVERTISSEMENT: Le lit médicalisé doit être exclusivement utilisé avec un lève-personnes pouvant être positionné sous le lit.**

2.1 Commande manuelle avec fonction de blocage

La hauteur de la surface de couchage, l'inclinaison du dossier et la pliure du genou peuvent être contrôlées à l'aide de la commande manuelle. Bloquez et montez la commande manuelle sur le support latéral après utilisation.

Les réglages possibles sont les suivants :



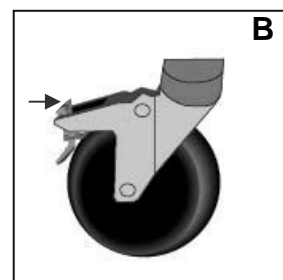
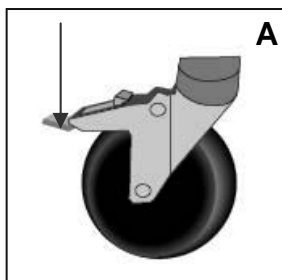


2.2 Actionnement des freins

- ⚠ **AVERTISSEMENT:** Le fonctionnement des roulettes directrices est fonction de leur usure et de l'éventuelle contamination des pneus (eau, huile...) – Vérifiez l'état des pneus avant chaque utilisation.
- ⚠ **AVERTISSEMENT:** Les roulettes directrices sont sujettes à l'usure – Vérifiez leur état avant chaque utilisation.
- ⚠ **AVERTISSEMENT:** Risque d'accident - Bloquez toujours les roulettes directrices. Si vous ne bloquez qu'un roulette directrice, le lit peut encore bouger.

Les quatre roulettes directrices peuvent être bloquées pour empêcher tout roulement involontaire.

- **Blocage (A)**
Enfoncer le levier basculant avec le pied jusqu'à butée.
- **Déblocage (B)**
Relever le levier basculant avec le pied jusqu'à butée.

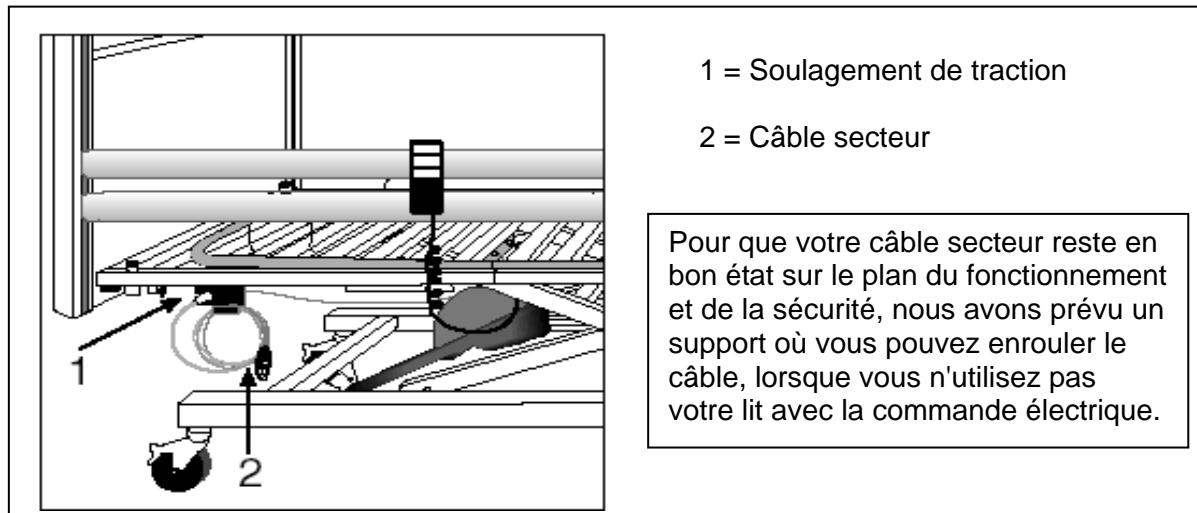


2.3 Soulagement de traction

- ⚠ **AVERTISSEMENT:** Ne retirez pas le dispositif de passage de câbles.
- ⚠ **AVERTISSEMENT:** Ne placer ou n'accrocher aucun objet sur le soulagement de traction.
- ⚠ **AVERTISSEMENT:** Suspension du câble secteur sans plis, sans traction et sans contact avec le sol.

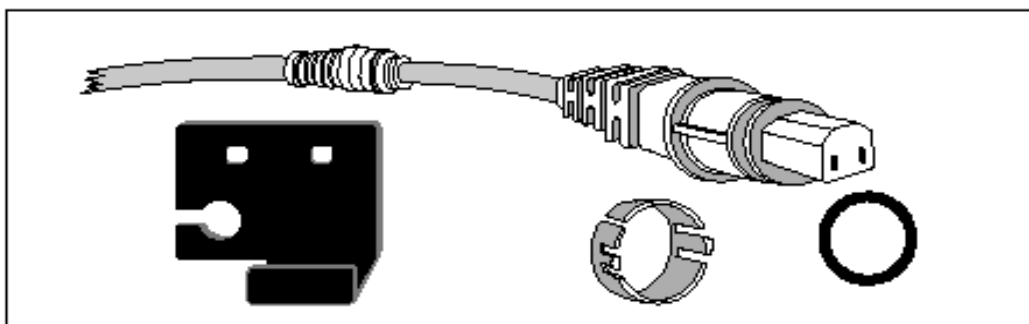
Pour votre sécurité, le câble secteur est équipé d'un soulagement de traction qui empêche d'arracher la fiche secteur hors du transfo, ce qui risque de provoquer des ruptures de câble ou de ne plus garantir complètement la protection du système contre les projections d'eau.

En même temps, on garantit que le câble secteur ne se trouve pas sous le lit, ce qui empêche de rouler involontairement sur ce câble. Ce soulagement de traction est déjà monté en usine.



2.4 Câble secteur

Pour que votre câble secteur reste en bon état sur le plan du fonctionnement et de la sécurité, nous avons prévu une suspension sur laquelle vous pouvez laisser votre câble enroulé sur le lit de soin pour le cas où vous n'utiliseriez pas votre lit avec la commande électrique.

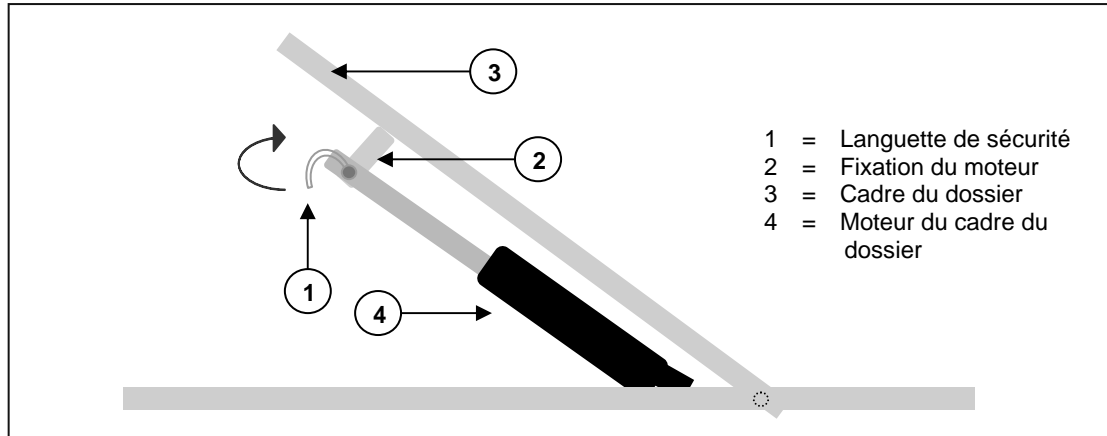


2.5 Descente d'urgence du dossier

- ⚠ **AVERTISSEMENT:** Risque de blessures des mains ou d'objets entre l'appui-tête et le cadre.
- ⚠ **AVERTISSEMENT:** Risque de blessures Descente d'urgence autorisée avec au moins deux personnes.

Le dossier peut être descendu manuellement (descente d'urgence en cas de panne du moteur).

- Manipulation :**
1. Saisissez fermement le relève-buste pour l'empêcher de tomber.
 2. Une deuxième personne peut libérer la goupille de suspension en pliant le languette sécurité et en tirant la goupille de la fixation.
 3. Abaissez doucement l'appui-tête.



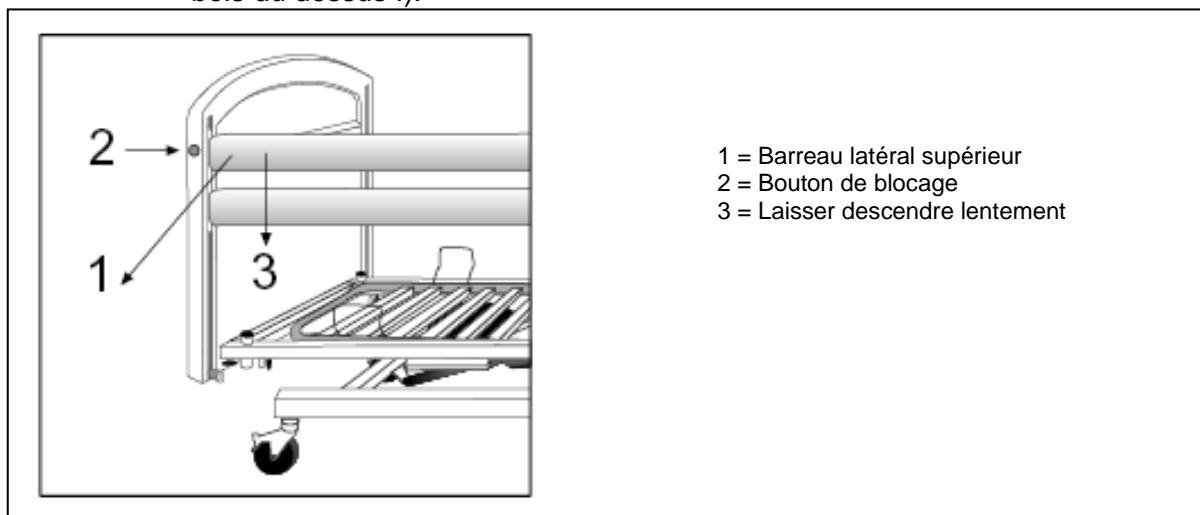
2.6 Barreaux latéraux

Les barreaux latéraux peuvent descendre d'un côté.

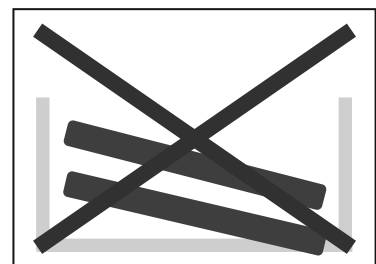
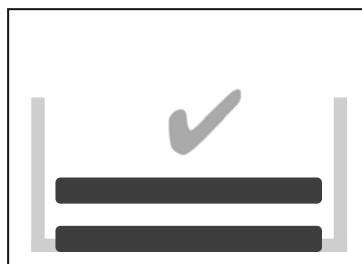
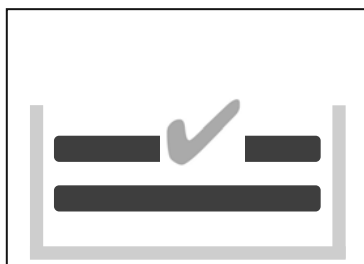
- **Descendre**

- ⚠ **AVERTISSEMENT: Risque de blessures - fixez correctement les barreaux latéraux afin d'éviter leur chute involontaire.**
- ⚠ **AVERTISSEMENT: Risque de blessures - aucun objet ni parties du corps ne doit dépasser au-dessus de la surface de couchage !**
- ⚠ **AVERTISSEMENT: Risque de blessures - N'abaissez pas les barreaux latéraux d'un côté si le patient doit demeurer sans surveillance.**

1. Lever légèrement le barreaux latéral supérieur.
2. Enfoncer le bouton 2 sur la tête/le pied latéral
3. Abaisser lentement les barreaux latéraux (saisissez uniquement le barreau en bois du dessus !).

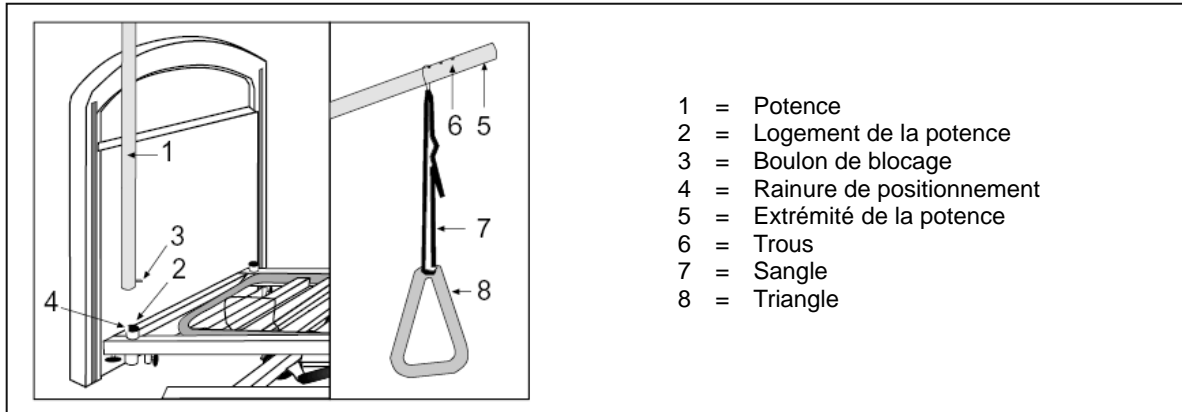


Assurez-vous du bon fonctionnement du lit notamment des barrières latérales de sécurité.



2.7 Potence de levage

La potence peut être montée des deux côtés du cadre côté tête.



- Introduire la potence (1) à fond dans le logement souhaité (2).
- Glisser le boulon de blocage (3) dans la rainure de positionnement (4).
- Tirer la boucle métallique (5) au-dessus de l'extrémité supérieure du cadre jusqu'à ce que le boulon descende dans l'un des trois trous (6).
- Tirer la sangle (7) dans la boucle métallique, la passer dans le triangle (8) et régler la longueur. Bloquer la sangle.

2.8 Transfert dans et hors du lit

⚠ ATTENTION : Risque de chute - Si vous ne pouvez pas réaliser le transfert en toute sécurité, demandez à quelqu'un de vous aider.

1. Placez-vous aussi près que possible du lit.
2. Vérifiez que les freins du lit sont enclenchés.
3. Retirez ou descendez les barreaux latéraux du lit.
4. Procédez au transfert vers/depuis le lit.

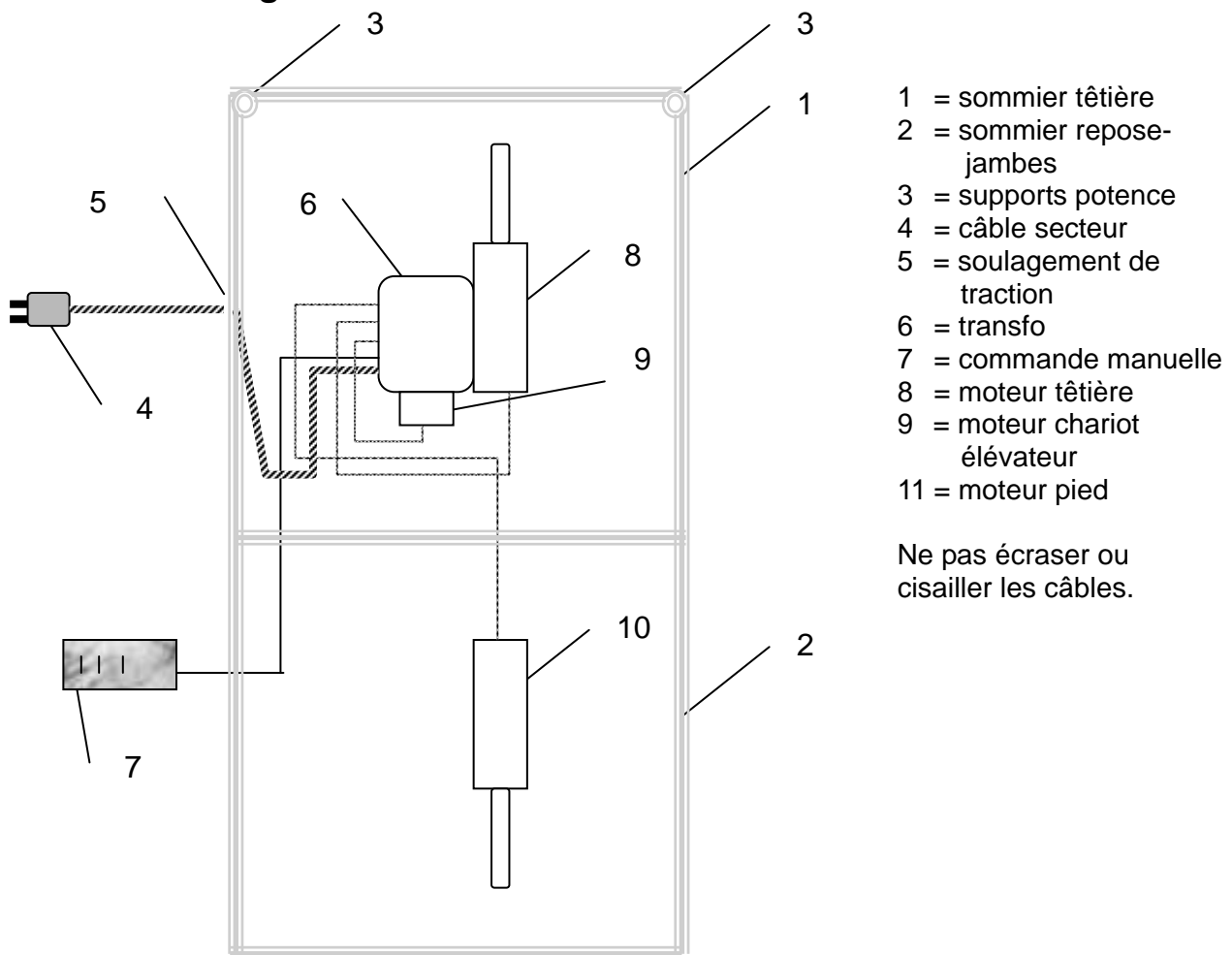
2.9 Transport

⚠ AVERTISSEMENT: Risque de blessure – Vérifiez que le lit est bien fixé dans la voiture ou dans le camion.

⚠ AVERTISSEMENT : risque de blessure. – Le transport du lit doit toujours être effectué sans le patient.

Pour éviter des dégâts pendant le transport, n'oubliez pas de démonter la potence. Débranchez le câble secteur et vérifiez qu'aucun câble pendant ne se trouve à proximité du sol.

2.10 Câblage



3 Installation et réglage

Les instructions de ce chapitre sont destinées au distributeur.

Pour trouver un service d'entretien ou un revendeur spécialisé près de chez vous, contactez l'établissement Vermeiren le plus proche. Vous trouverez une liste des établissements sur la dernière page.

⚠ AVERTISSEMENT: Risque de limitations dangereuses - N'utiliser que les limitations décrites dans ce manuel.

3.1 Outils

Le montage du lit nécessite les outils suivants.

- Clé Allen
- Tournevis

3.2 Mode de livraison

Le Vermeiren Interval doit être livré avec:

1) Interval type 1040 90 cm

- Chariot élévateur, système de croisillon compris (972) env. 30 kg
- Sommier à lattes (978E) env. 25 kg
- Sommier à lattes, tête transfo et moteur compris (978E) env. 25 kg
- Dossieret (tête et pied) (965) env. 26 kg
- Barreaux latéraux (2 x 2 lattes en bois) (969) env. 11 kg
- Potence + poignée en triangle (968) env. 7 kg
- Commande manuelle (y compris sur le 978E)
- Clé pour vis à six pans creux (structure) (y compris sur le 965)
- Mode d'emploi

2) Interval type 1042 90 cm

- Chariot élévateur, système de croisillon compris (972) env. 30 kg
- Sommier à lattes, tête moteur compris (977E) env. 28 kg
- Sommier à lattes, tête transfo et moteur compris (977E) env. 25 kg
- Dossieret (tête et pied) (965) env. 26 kg
- Barreaux latéraux (2 x 2 lattes en bois) (969) env. 11 kg
- Potence + poignée en triangle (968) env. 7 kg
- Commande manuelle (y compris sur le 977E)
- Clé pour vis à six pans creux (structure) (y compris sur le 965)
- Mode d'emploi

3) Interval type 1042 120 cm

- Chariot élévateur, système de croisillon compris (972) env. 35 kg
- Sommier à lattes, tête moteur compris (977E) env. 33 kg
- Sommier à lattes, tête transfo et moteur compris (977E) env. 30 kg
- Dossieret (tête et pied) (965) env. 26 kg
- Barreaux latéraux (2 x 2 lattes en bois) (969) env. 11 kg
- Potence + poignée en triangle (968) env. 7 kg
- Commande manuelle (y compris sur le 977E)
- Clé pour vis à six pans creux (structure) (y compris sur le 965)
- Mode d'emploi

4) Interval type 1042 140 cm

- Chariot élévateur, système de croisillon compris (972) env. 40 kg
- Sommier à lattes, tête moteur compris (977E) env. 38 kg
- Sommier à lattes, tête transfo et moteur compris (977E) env. 35 kg
- Dossieret (tête et pied) (965) env. 26 kg
- Barreaux latéraux (2 x 2 lattes en bois) (969) env. 11 kg
- Potence + poignée en triangle (968) env. 7 kg
- Commande manuelle (y compris sur le 977E)
- Clé pour vis à six pans creux (structure) (y compris sur le 965)
- Mode d'emploi

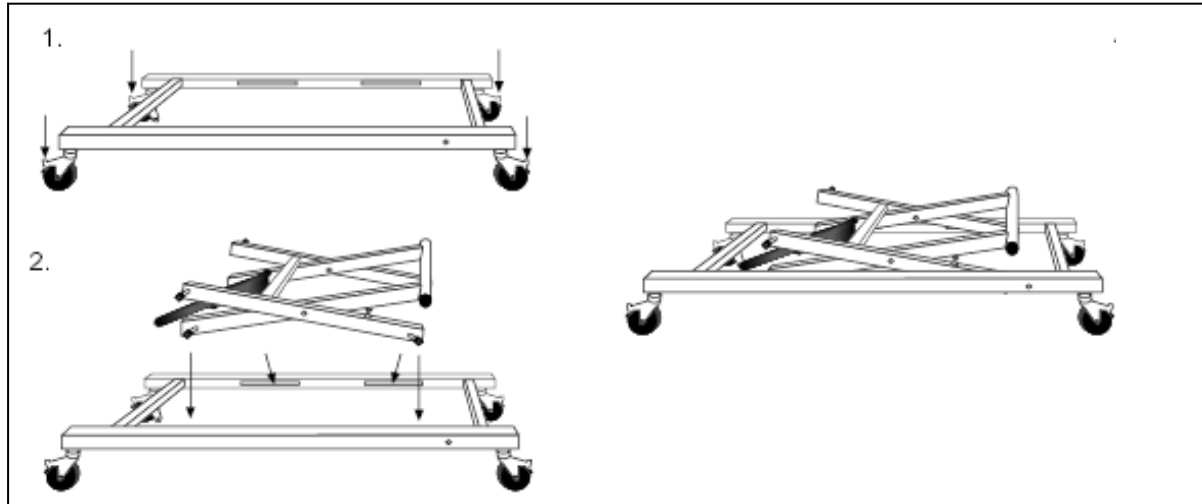
Le lit de soin ne peut être utilisé qu'avec les éléments repris ici. Si vous omettez des éléments ou si vous combinez des équipements, des composants et des systèmes électriques d'une autre marque, ce lit n'est plus considéré comme un lit de soin livré par le fabricant et son utilisation se fait à vos risques et périls. La conformité CE et la responsabilité du fabricant sont annulées.

3.3 Assemblage

- ⚠ **ATTENTION** : Risque de pincement entre des éléments du lit.
- ⚠ **ATTENTION** : Risque d'écrasement - Tenez vos doigts à l'écart des pièces mobiles du lit.

Suivez les instructions ci-dessous qui vous expliquent l'assemblage de votre lit de soin.

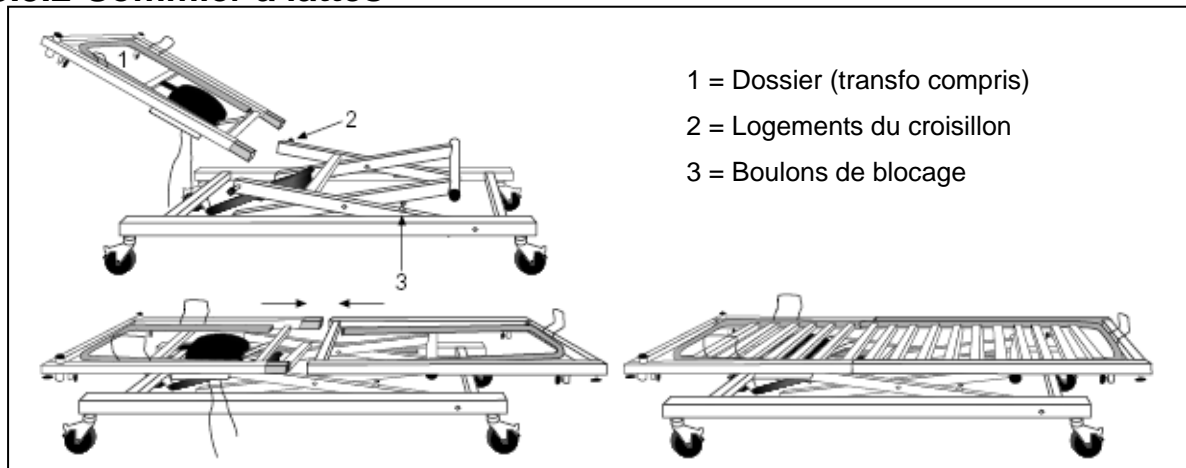
3.3.1 Chariot élévateur



1. Poser le cadre avec les roulettes directrices sur une surface plane et lisse et bloquer les roulettes en enfonçant l'arrêt.
2. Introduire le croisillon dans les logements correspondants de manière à ce que les boulons de blocage du croisillon s'enclenchent.

Protéger le câble d'alimentation du moteur contre l'écrasement.

3.3.2 Sommier à lattes

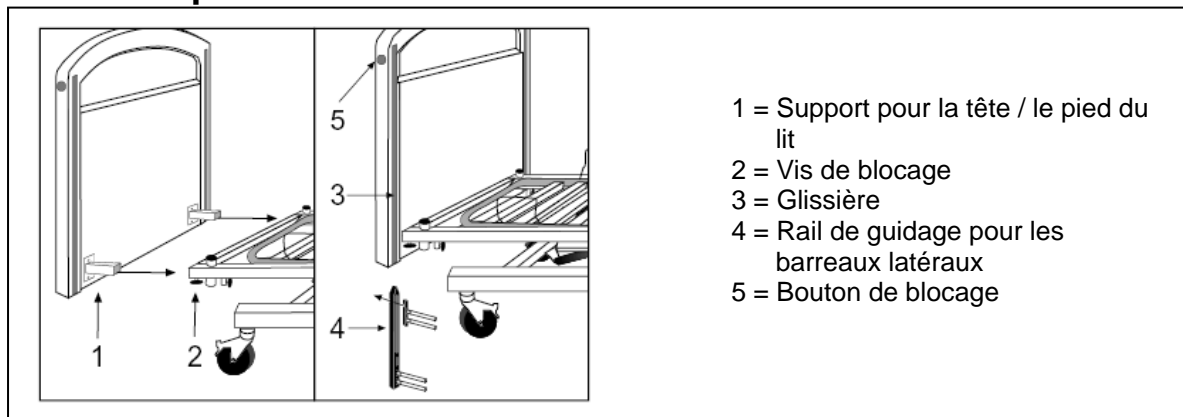


- 1 = Dossier (transfo compris)
- 2 = Logements du croisillon
- 3 = Boulons de blocage

1. Poser le dossier (transfo compris) dans les logements (en noir) du croisillon. Les boulons de blocage du cadre du sommier à lattes servent de sécurité.
2. Tirer la partie repose-jambes avec le rail à roulettes au-dessus des roulettes du croisillon depuis l'arrière.
3. Emboîter les tubes de liaison les uns dans les autres et les fixer des deux côtés à l'aide des vis de blocage.
4. Poser les lattes sur les glissières et appuyer légèrement dessus.

Protéger le câble d'alimentation du moteur contre l'écrasement.

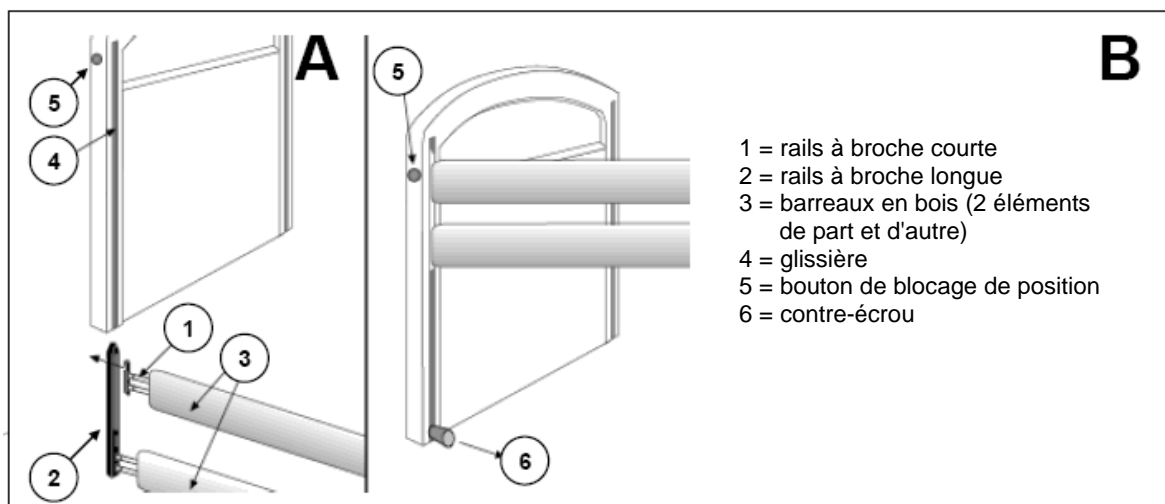
3.3.3 Tête/pied



- 1 = Support pour la tête / le pied du lit
- 2 = Vis de blocage
- 3 = Glissière
- 4 = Rail de guidage pour les barreaux latéraux
- 5 = Bouton de blocage

1. Monter les supports pour la tête et le pied à l'aide des vis et des rondelles correspondantes (prémontage).
2. Introduire les extrémités en bois dans les logements des tubes d'extrémité du fond du sommier à lattes et les fixer à l'aide des vis de blocage.
3. Introduire le rail de guidage pour les barreaux latéraux avec le côté pointu vers le haut dans la glissière de la tête et du pied jusqu'à ce qu'il se bloque dans la partie supérieure de la tête / du pied.

3.3.4 Barreaux latéraux en bois



- 1 = rails à broche courte
- 2 = rails à broche longue
- 3 = barreaux en bois (2 éléments de part et d'autre)
- 4 = glissière
- 5 = bouton de blocage de position
- 6 = contre-écrou

- A.** Introduisez les rails à broche courte (1) à droite et à gauche du barreau en bois supérieur. Introduisez les rails à broche longue (2) à droite et à gauche du barreau en bois inférieur.

Introduisez un à un les rails à broche longue (2) du barreau en bois dans la glissière à la tête puis au pied du lit, et fixez-les de telle manière que l'extrémité des rails soit parfaitement introduite et enclenchée. Dégagez de nouveau ce rail d'un côté en appuyant sur le bouton de verrouillage de position (5) et en tirant délicatement vers le haut le barreau en bois.

Laissez de nouveau les rails à broche (2) descendre de la glissière jusqu'à ce que l'extrémité repose à peine sur le guide. Le rail à broche courte (1) est maintenant introduit avec le barreau en bois entre les parois des rails à broche longue et tout le dispositif de rail à broche (1) + (2) sera placé dans la glissière correspondante (4) en étant tiré vers le haut lorsque vous saisissez le barreau en bois et bloquez la structure dans cette position.

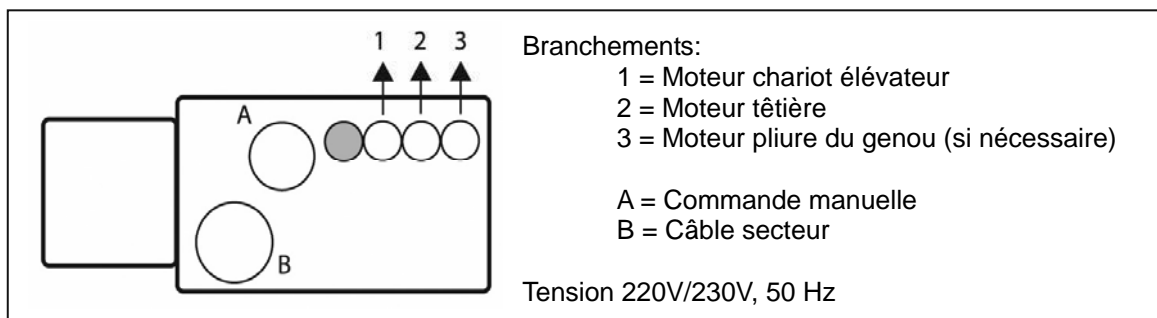
- B.** Introduisez les contre-écrous (6) et serrez-les manuellement.

3.3.5 Branchements

- ⚠ **ATTENTION : risque de blessure. - Ne pas toucher la fiche si vous avez les mains humides.**
- ⚠ **ATTENTION: risque de blessure - Ne placer aucun objet sur la connexion et le câble d'alimentation et protéger ces éléments contre les sollicitations mécaniques.**

1. Comme source de courant, il faut utiliser une prise de courant 220V/230V, 50Hz installée conformément aux prescriptions VDE.
2. La figure ci-dessous présente les connexions du transformateur:

Saisir le câble uniquement par la fiche et le débrancher de la prise de courant.
 Poser le câble secteur sans boucles, sans le plier et sans le placer sur des arêtes vives.
 Protéger le câble secteur et le câble d'alimentation vers l'interrupteur manuel contre l'écrasement.



4 Maintenance

Le mode d'emploi des lits se trouve sur le site Internet de Vermeiren, www.vermeiren.fr, www.vermeiren.be.



Inhoud

Voorwoord	2
1 Productomschrijving	3
1.1 Toepassingsgebied.....	3
1.2 Technische specificaties	4
1.3 Componenten	5
1.4 Gebruikte symbolen	5
1.5 Accessoires.....	5
1.6 Voor uw veiligheid	6
2 Gebruik	7
2.1 Handmatige bediening met vergrendelingsfunctie.....	7
2.2 Bedienen van de rem	8
2.3 Trekontlasting.....	8
2.4 Stroomkabel	9
2.5 Noodaflaat hoofdeinde	9
2.6 Onrusthek	10
2.7 Oprichter.....	11
2.8 In en uit het bed tillen.....	11
2.9 Transport	11
2.10 Bekabeling.....	12
3 Montage en afstellen	12
3.1 Gereedschap	12
3.2 Leveringsomvang	13
3.3 Montage.....	14
4 Onderhoud	16

Voorwoord

We willen U danken voor het vertrouwen dat U in onze producten stelt.

De Vermeiren bedden zijn het resultaat van jarenlange studies en ervaringen. Bij de ontwikkeling werd veel aandacht besteed aan een eenvoudige bediening en een gemakkelijk onderhoud.

De verwachte levensduur van uw bed wordt sterk beïnvloed door de verzorging en het onderhoud van het bed.

Deze handleiding maakt U vertrouwd met de bediening van Uw bed.

In dit document vindt U ook enkele onderhoudsadviezen zodat Uw bed lang meegaat.

Het naleven van de gebruiks- en onderhoudsinstructies vormen een essentieel onderdeel van de garantiebepalingen.

Deze handleiding houdt rekening met de recentste productontwikkelingen. De Firma Vermeiren behoudt zich echter het recht voor om wijzigingen door te voeren zonder verplicht te zijn voordien geleverde modellen aan te passen of te vervangen.

Als U nog vragen hebt, neemt U best contact op met Uw vakhandelaar.

1 Productomschrijving

1.1 Toepassingsgebied

Met het model Interval beschikt u over een verzorgingsbed dat volledig is ontworpen voor uw comfort. Het verzorgingsbed biedt verschillende aanpassingsmogelijkheden die verder in dit document worden behandeld.

Het verzorgingsbed is ontworpen voor één volwassen patiënt (vanaf 12 jaar, tot maximaal gebruikersgewicht (zie tabel 1))

Het bed moet worden gebruikt in combinatie met een geschikt matras (min. RG 35, 120 mm dik, maximaal 20 kg.)

Het bed biedt door zijn modulaire opbouw verschillende aanpassingsmogelijkheden voor mensen die moeilijk kunnen lopen, geriatrische personen of tijdens het revalideren in een huiselijke omgeving.

Hou bij de individuele verzorging rekening met:

- grootte en lichaamsgewicht (max. 150 kg voor Interval 90 cm, max. 240 kg voor Interval 120 cm, max 240 kg voor Interval 140 cm)
- fysieke en psychische gesteldheid
- woonomgeving
- milieu

Het bed moet worden gebruikt als toepassingsomgeving 4 van ISO 60601-2-52: "verpleging die wordt geboden in een huiselijke omgeving waarbij ME-apparatuur wordt gebruikt om letsel, invaliditeit of ziekte te verlichten".

Uw bed mag alleen worden gebruikt op een ondergrond waarbij alle vier de wielen op de grond staan.

Het bed dient niet als klimtoestel of om hete of zware voorwerpen te transporteren.

Als het bed wordt gebruikt op matten, vloerbedekking of losse vloerkleden, kan de vloerbedekking beschadigd raken en wordt het lastig om het bed (zonder patiënt) over dergelijke ondergrond voort te duwen.


Gebruik enkel door Vermeiren goedgekeurde accessoires. Een combinatie met andere producten en uitrustingen of andere elektrisch aangedreven apparaten is niet toegestaan.

Vermeiren is niet aansprakelijk voor schade door gebrekkig of onvoldoende onderhoud of als gevolg van het niet naleven van instructies van deze handleiding.

Het naleven van de gebruiks- en onderhoudsinstructies vormen een essentieel onderdeel van de garantiebepalingen.

1.2 Technische specificaties

(voor volledig gemonteerd bed)

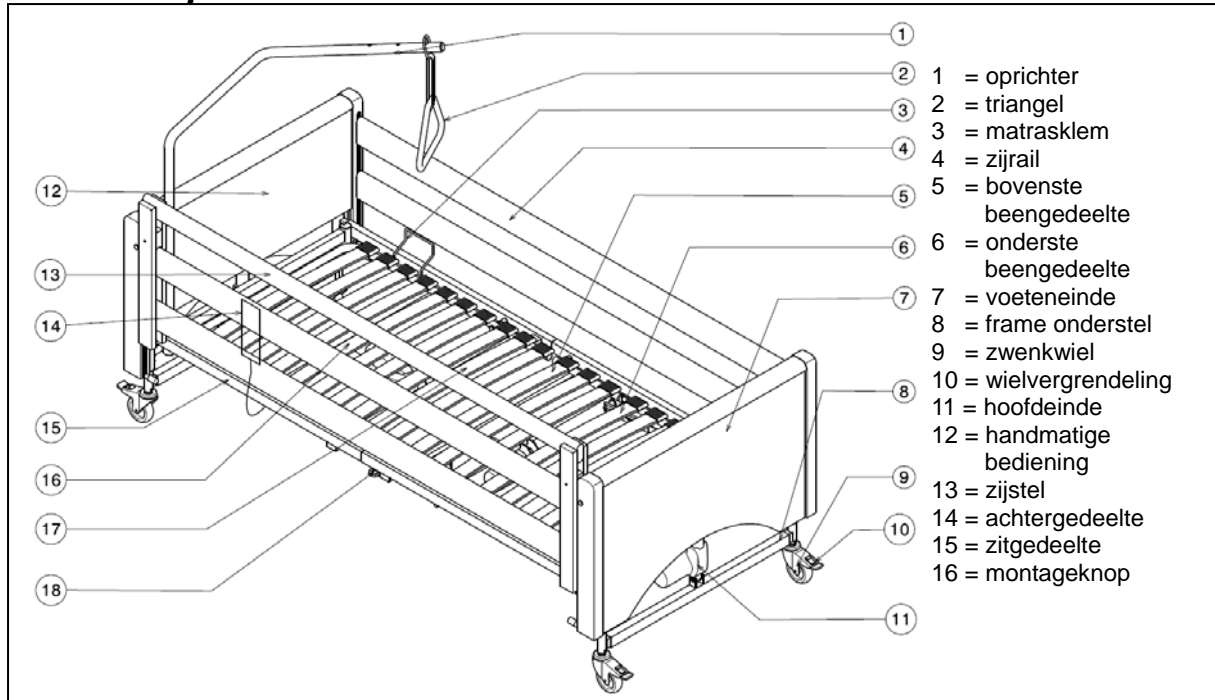
Merk	Vermeiren			
Adres	Vermeirenplein 1/15, B-2920 Kalmthout			
Type	Bed			
Model	Interval, Interval 120 cm, Interval 140 cm			
Omschrijving	Interval 90 cm	Interval XXL		
		Interval 120 cm	Interval 140 cm	
Maximale massa gebruiker	Nominale last 150 kg	Nominale last 240 kg	Nominale last 240 kg	
Lengte	2080 mm			
Breedte	1030 mm	1330 mm	1530 mm	
Hoogte (zonder zelfoprichter)	840 mm - 1275 mm	860 mm - 1295 mm	860 mm - 1295 mm	
Hoogte (met zelfoprichter)	1870 mm - 2305 mm	1900 mm - 2335 mm	1900 mm - 2335 mm	
Hoogteverstelling ligvlak	Traploos van 370 tot 805 mm (zonder matras)			
Totaal gewicht (uitgezonderd zijrail, oprichter en triangel)	106 kg	124 kg	139 kg	
Verstellen van het achterste gedeelte	70.5°			
Max. hoek bovenbeen	28.5°			
Max. hoek onderbeen	-20.5°			
Max. veilige werklust *	185 kg	275 kg	275 kg	
Oprichter	Nominale last 80 kg			
Matras	Min. RG 35, 120 mm dik, 2000 x 900 mm, max. 20 kg	Min. RG 35, 120 mm dik, 2000 x 1200 mm, max. 20 kg	Min. RG 35, 120 mm dik, 2000 x 1400 mm, max. 20 kg	
Vrije hoogte voor patiëntenlift	145 mm			
Wielen (4 stuks)	Ø 125 mm, vergrendelbaar			
Motor hoofd-/voeteinde	LA31.28-300-24-001, Linak			
Motor achterste gedeelte	LA31.2JB-100-24-301, Linak			
Motor beengedeelte	LA31.2J-100-24-301, Linak			
Hanbediening	HLW072-002, Linak (Interval type 1040) HLW073-005, Linak (Interval type 1042)	HLW073-005, Linak (Interval type 1042)	HLW073-005, Linak (Interval type 1042)	
Transfo	CB 09SO-3T-24, Linak			
Nominale spanning transfo	U in: 230 V~, ± 10%, 50 Hz, I in: max. 1.5 A, U uit: 24V ---, max. 70 VA			
Inschakeltijd	10%, max. 6 min/u			
Geluidsniveau	< 65 dB(A)			
Beschermklasse / beschermingsgraad	Beschermklaas II, toepassingsdeel type B / IPX4 (spatwaterdicht)			
Opslag en gebruikstemperatuur	+ 5 °C	+ 41 °C		
Opslag en gebruiksluchtvochtigheid	30%	70%		
Technische wijzigingen voorbehouden. Meettolerantie ± 15 mm / 1,5 kg / °				
* Max. veilige werklust = massa gebruikersgewicht + massa matras + massa andere accessoires				

Tabel 1: Technische Specificaties










Het bed voldoet aan de vereisten die zijn vastgelegd in:

- EN 1970: verstelbare bedden voor invalide personen: vereisten en testmethoden
 EN 1970+ A1: verstelbare bedden voor invalide personen: vereisten en testmethoden
 EN 60601-2-38/A1: medisch elektrische apparatuur - artikel 2-38: specifieke vereisten voor de veiligheid van elektrisch bestuurbare verzorgingsbedden

1.3 Componenten



1.4 Gebruikte symbolen

-  Maximum gewicht
-  CE conformiteit
-  Veiligheidsinstructies
-  Handleiding lezen
-  Correcte werkwijze/toepassing
-  Verkeerde werkwijze/toepassing
-  Beschermklasse II
-  Toepassingsdeel type B
-  Type aanduiding

1.5 Accessoires

⚠ WAARSCHUWING: er moeten voorzorgsmaatregelen worden genomen als er accessoires worden gebruikt die niet hieronder staan vermeld.

- Derde bedzijde (hout)

1.6 Voor uw veiligheid

- ⚠ Voor u het verzorgingsbed gebruikt, moet u de handleiding aandachtig lezen.
- ⚠ Plaats en gebruik het verzorgingsbed alleen op een horizontale en vlakke ondergrond zodat de vier wielen stevig op de grond staan.
- ⚠ Bij het installeren van het bed moet u controleren of het volledige verstelbereik vrij is van hindernissen.
- ⚠ Wanneer de patiënt zonder toezicht is, moet het bed eerst op de laagste stand worden gezet om letsels door vallen te vermijden bij het instappen, uitstappen of neerliggen in het bed.
- ⚠ Wanneer de patiënt zonder toezicht is, moet het onrusthek aan weerszijden in de bovenste stand worden gezet. Het neerlaten aan 1 of 2 zijden mag alleen gebeuren wanneer iemand toezicht houdt.
- ⚠ Let bij het monteren/demonteren en gebruiken van het bed op uw handen – Risico voor knellen!
- ⚠ Voor het transporteren mag u het bed alleen aan de vaste frameonderdelen of houten onderdelen vastnemen.
- ⚠ Alle vier de wielen moeten voor ieder gebruik worden geblokkeerd.
- ⚠ Medisch-elektrische toepassingen in het verzorgingsbed zijn niet toegestaan!
- ⚠ De patiënt mag niet met het bovenlichaam uit het bed leunen – Risico!
- ⚠ De patiënt mag niet met het bovenlichaam uit het bed leunen – Risico!
- ⚠ De benen niet ontlasten door deze op andere voorwerpen te leggen – Risico!
- ⚠ Bij het verstellen van het been- of rugdeel de handen niet tussen het frame en de matras schuiven – Gevaar voor knellen!
- ⚠ Bij het verstellen van het been- of rugdeel de handen niet tussen het frame en de matras schuiven – Gevaar voor knellen!
- ⚠ Gebruik de stekker alleen met een stopcontact conform VDE (220V/230V, 50 Hz).
- ⚠ Trek een kabel altijd uit aan de stekker, trek nooit aan de kabel zelf.
- ⚠ Blokkeer de handbediening na ieder gebruik altijd met de vergrendelfunctie op de handbediening.
- ⚠ Gebruik uw verzorgingsbed uitsluitend in droge ruimten.
- ⚠ Gebruik alleen een matras die voldoet aan de voorschriften van de beddenfabrikant.
- ⚠ Wanneer de oprichter vervormd is, moet deze worden vervangen.
- ⚠ De onrusthekken moeten altijd zijn gemonteerd, ook wanneer de betreffende zijde van het bed tegen een muur staat.
- ⚠ Probeer nooit zelf reparaties uit te voeren – Risico!
- ⚠ Open nooit de behuizing van het aandrijfsysteem – Risico!
- ⚠ Het transporteren van het bed mag alleen gebeuren zonder patiënt.
- ⚠ Zorg ervoor dat alle stroomkabels worden geplaatst zonder knikken, schuren of andere mechanische beschadigingen.
- ⚠ Alle kabels moeten zo worden gelegd dat ze de grond niet raken en dat de kabels niet worden gekneld.
- ⚠ Het is verboden extra mechanische of elektrische apparaten te gebruiken of aan te brengen.
- ⚠ Het onderhouden, inspecteren, repareren en desinfecteren mag alleen door bevoegd en geschoold personeel worden uitgevoerd.
- ⚠ Gebruik voor uw verzorgingsbed uitsluitend originele wisselstukken van de fabrikant.
- ⚠ Let erop dat het verzorgingsbed niet te zwaar wordt belast.
- ⚠ In het bed is het gebruik van open vlammen of gloeiende voorwerpen (kaarsen, sigaretten, enz.) verboden.

- ⚠ Vervang de onrusthekken wanneer deze verbogen of gebroken zijn. Anders kan de patiënt uit het bed vallen.
- ⚠ Het gebruik van uw bed kan andere elektrische apparaten beïnvloeden (storingen). Gebruik het bed niet tegelijk met andere apparaten.
- ⚠ Respecteer alle veiligheids- en gebruiksinstructies.
- ⚠ Elektrisch bestuurd bed wordt op een afstand van het stroomvoorzieningscontact geplaatst.
- ⚠ Het medisch bed mag alleen in combinatie met een takel worden gebruikt die onder de beperkte ruimte van het medisch bed kan worden geplaatst.

2 Gebruik

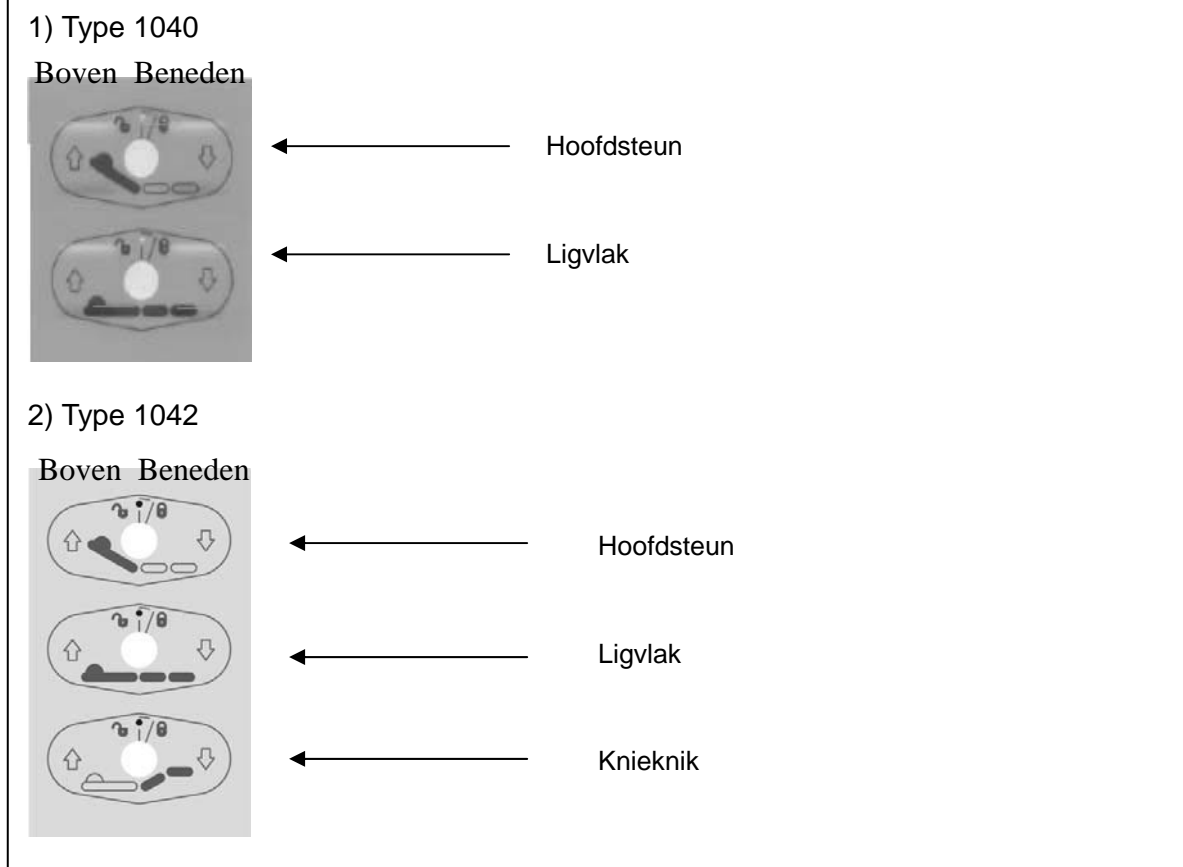
Dit hoofdstuk beschrijft het normaal gebruik. **Deze instructies zijn van toepassing voor de gebruiker en de vakhandelaar.**

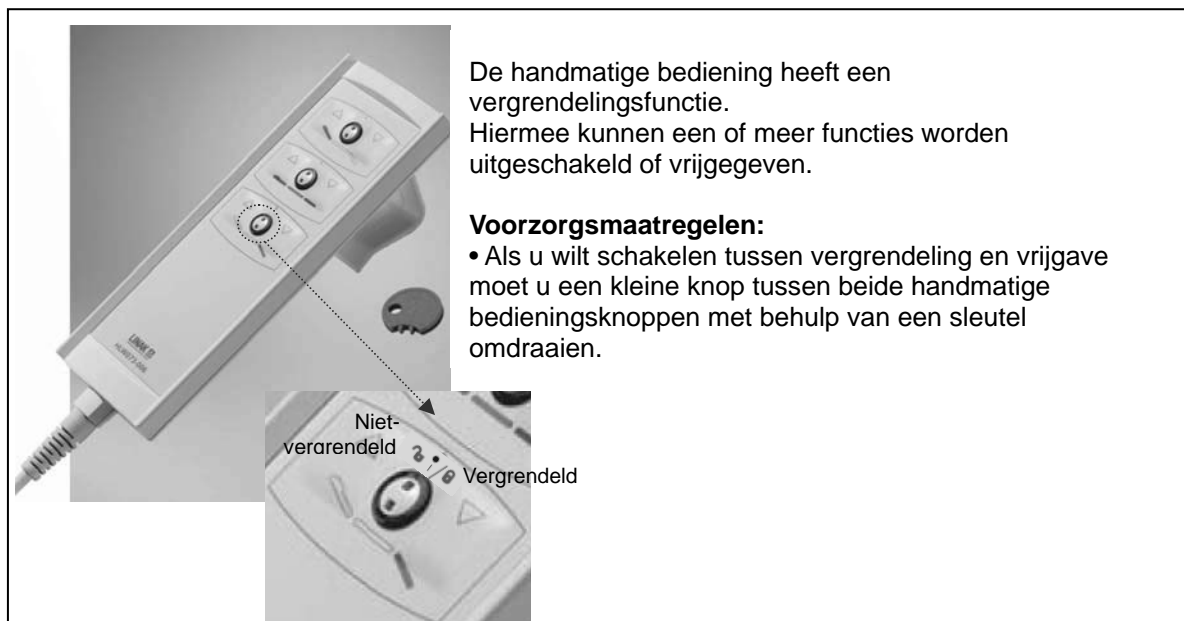
Het bed wordt gemonteerd en afgesteld door Uw vakhandelaar. De instructies voor de montage en afstelling van de bed staat in § 3.

- ⚠ **WAARSCHUWING: Risico op elektrische schokken - Vermijd dat kabels gekneld raken.**
- ⚠ **WAARSCHUWING: Het medisch bed mag alleen worden gebruikt in combinatie met een takel die onder de beperkte ruimte van het bed kan worden geplaatst.**

2.1 Handmatige bediening met vergrendelingsfunctie

De hoogte van het ligvlak, de rugleuning en de knieholte kunnen met de handbediening worden geregeld. Vergrendel en bevestig de handbediening aan de zijligger na gebruik.



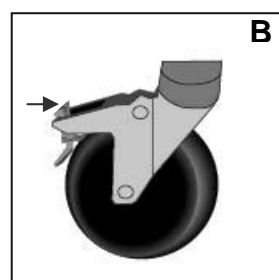
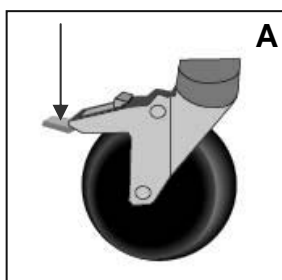


2.2 Bedienen van de rem

- ⚠ **WAARSCHUWING:** Een goede werking van de stuurzwenkwielen wordt beïnvloed door slijtage en vervuiling van de banden (water, olie,...) – controleer voor elk gebruik de conditie van de banden.
- ⚠ **WAARSCHUWING:** De stuurzwenkwielen kunnen slijten – controleer voor elk gebruik de werking van de stuurzwenkwielen.
- ⚠ **WAARSCHUWING:** Gevaar voor accidenten - Zet altijd alle wielen vast. Wanneer slechts een wiel wordt geblokkeerd, bed kan nog bewegen.

Om ongewenste verplaatsingen te vermijden kunnen alle wielen worden geblokkeerd.

- **Blokkeren (A)**
Vlak van de hendel met de voet tot tegen de aanslag indrukken.
- **Loszetten (B)**
Vlak van de hendel met de voet tot tegen de aanslag naar voor duwen.

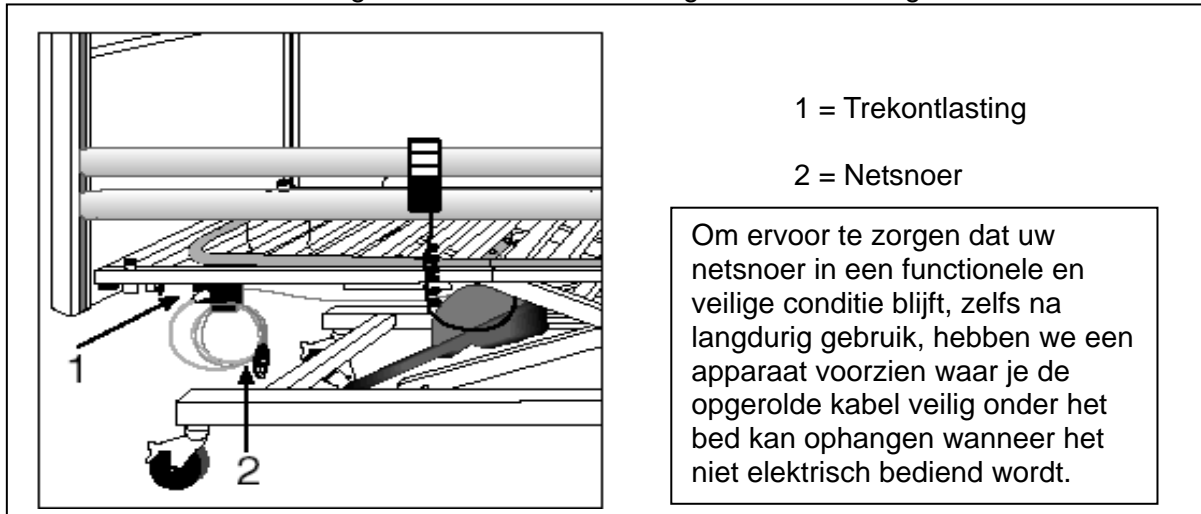


2.3 Trekontlasting

- ⚠ **WAARSCHUWING:** Verwijder de ontlastingseenheid niet.
- ⚠ **WAARSCHUWING:** Geen voorwerpen op de trekontlasting aanbrengen of hangen.
- ⚠ **WAARSCHUWING:** Het snoer niet plooiën of uitrekken en niet op de grond hangen.

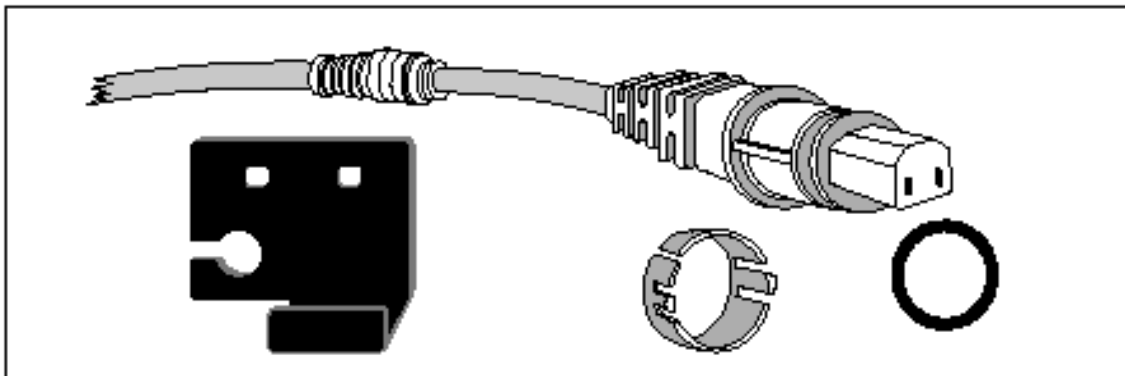
Voor uw veiligheid is het stroomsnoer voorzien van een trekontlasting die verhindert dat de stekker uit de transfo wordt getrokken. Daardoor kunnen immers kabelbreuken ontstaan of kan de sproeiwaterdichtheid van het systeem niet meer volledig worden gewaarborgd.

Tegelijk wordt ervoor gezorgd dat de stroomkabel niet onder het bed ligt zodat het bed niet over de kabel kan worden gerold. Deze trekontlasting is in de fabriek gemonteerd.



2.4 Stroomkabel

Opdat het stroomkabel ook na lang gebruik correct en veilig kan functioneren, hebben we een houder voorzien waar u het snoer kunt oprollen wanneer u het bed niet elektrisch gebruikt.

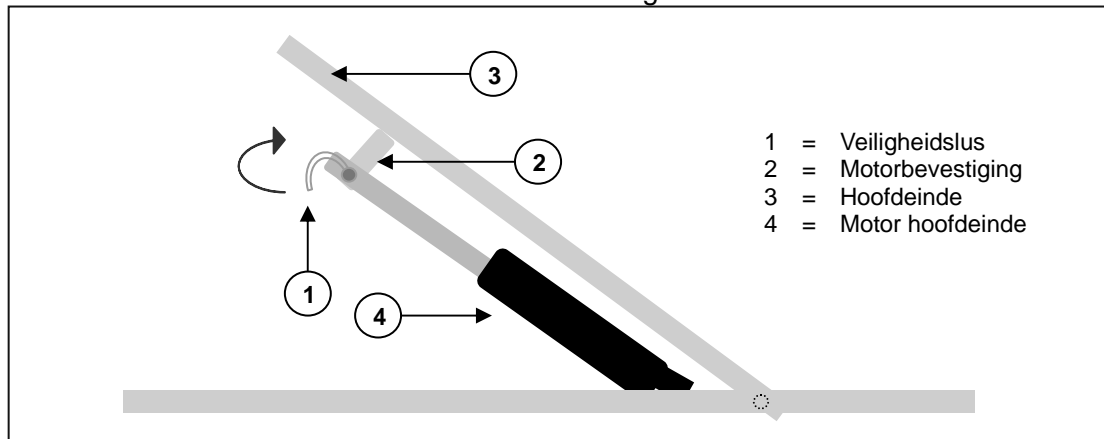


2.5 Noodaflaat hoofdeinde

- ⚠ **WAARSCHUWING:** Risico op letsel - zorg ervoor dat er zich geen objecten of lichaamsdelen tussen de hoofdsteun en het frame bevinden.
- ⚠ **WAARSCHUWING:** Risico op letsel - Deze functie moet met minstens twee personen worden bediend.

Het hoofdeinde kan met de hand worden neergelaten (noodaflaat wanneer de motor defect is)

- Procedure:
1. Neem het hoofdeinde vast om te voorkomen dat het naar beneden valt.
 2. Een tweede persoon kan de veiligheidspin verwijderen door de veiligheidslus open te vouwen en de pin te verwijderen van de motorophanging.
 3. Laat het hoofdeinde voorzichtig zakken.



2.6 Onrusthek

De onrusthekken kunnen aan een kant worden neergelaten

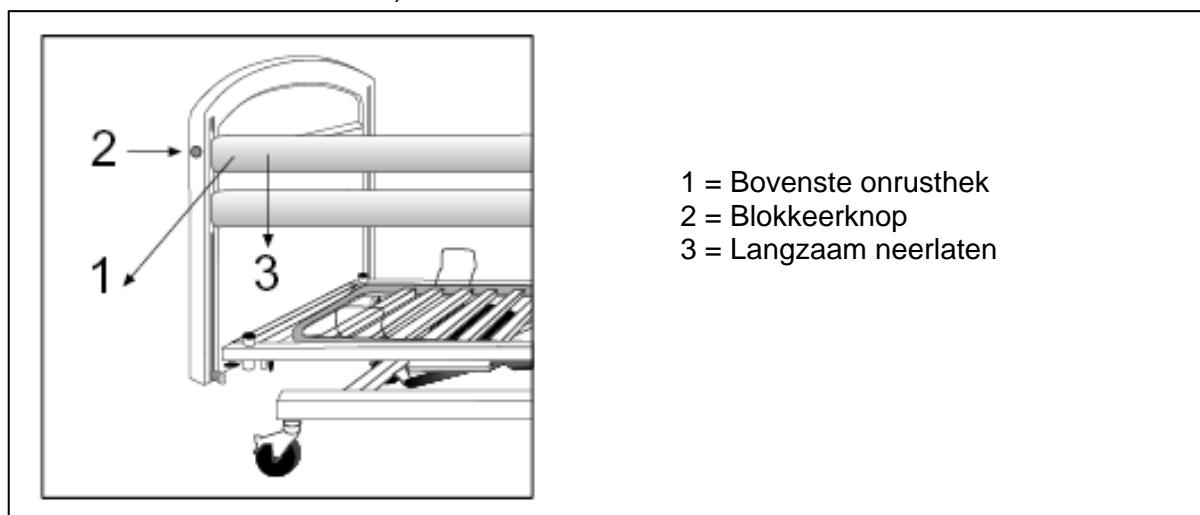
- Neerlaten

⚠ **WAARSCHUWING:** risico op letsel - bevestig de zijrailings zodat de patiënt niet onbedoeld uit bed kan vallen.

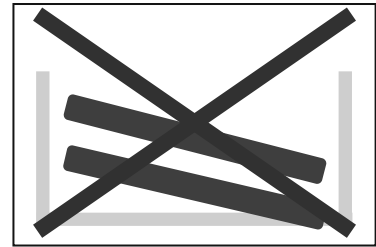
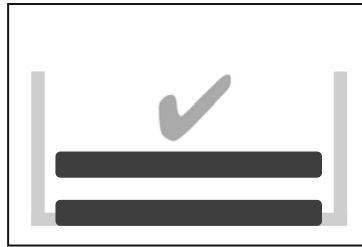
⚠ **WAARSCHUWING:** risico op letsel - Er mogen geen objecten of lichaamsdelen boven het ligoppervlak uitsteken!

⚠ **WAARSCHUWING:** risico op letsel - breng de zijrailings niet omlaag aan één kant als er geen toezicht is op de patiënt.

1. Til de bovenste onrusthek voorzichtig naar boven
2. Druk op knop ② opzij van het hoof-/voeteneinde
3. Laat het onrusthek langzaam naar beneden. (houd altijd alleen de bovenste houten lat vast!)

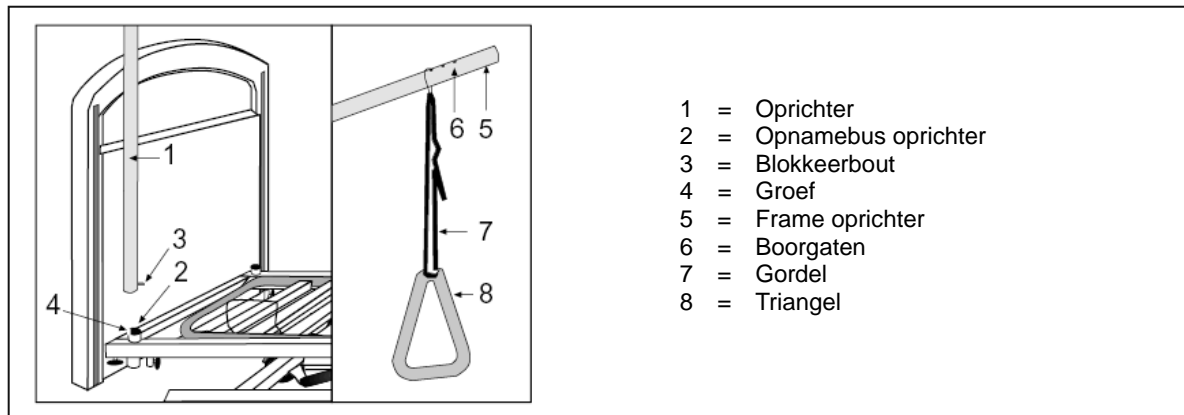


Zorg ervoor dat de bed functies niet zijn beschadigd bij het naar boven of beneden laten van de onrusthekken, bijvoorbeeld wanneer gebruik wordt gemaakt van medische wig kussens om de veiligheid van de patiënt te verzekeren.



2.7 Oprichter

De oprichter kan aan weerszijden van het hoofdeinde worden gemonteerd.



- Oprichter (1) tot de aanslag in de betreffende opnamebus (2) plaatsen.
- Blokkeerbout (3) in de groef (4) laten glijden.
- Metalen lus over de bovenzijde van het frame (5) trekken tot de bout in een van de drie boorgaten (6) klikt.
- Gordel (7) in de metalen lus trekken en door de triangel (8) schuiven en op de gewenste lengte brengen. Gordel vastmaken.

2.8 In en uit het bed tillen

⚠ VOORZICHTIG: Risico op vallen - In het geval dat u de patiënt niet op een veilige manier kunt verplaatsen, vraag dan iemand om u te helpen.

1. Ga zo dicht mogelijk bij het bed staan.
2. Controleer of de remmen van het bed zijn ingeschakeld.
3. Verwijder of klap de zijrailings van het bed in.
4. Til de patiënt in/uit bed.

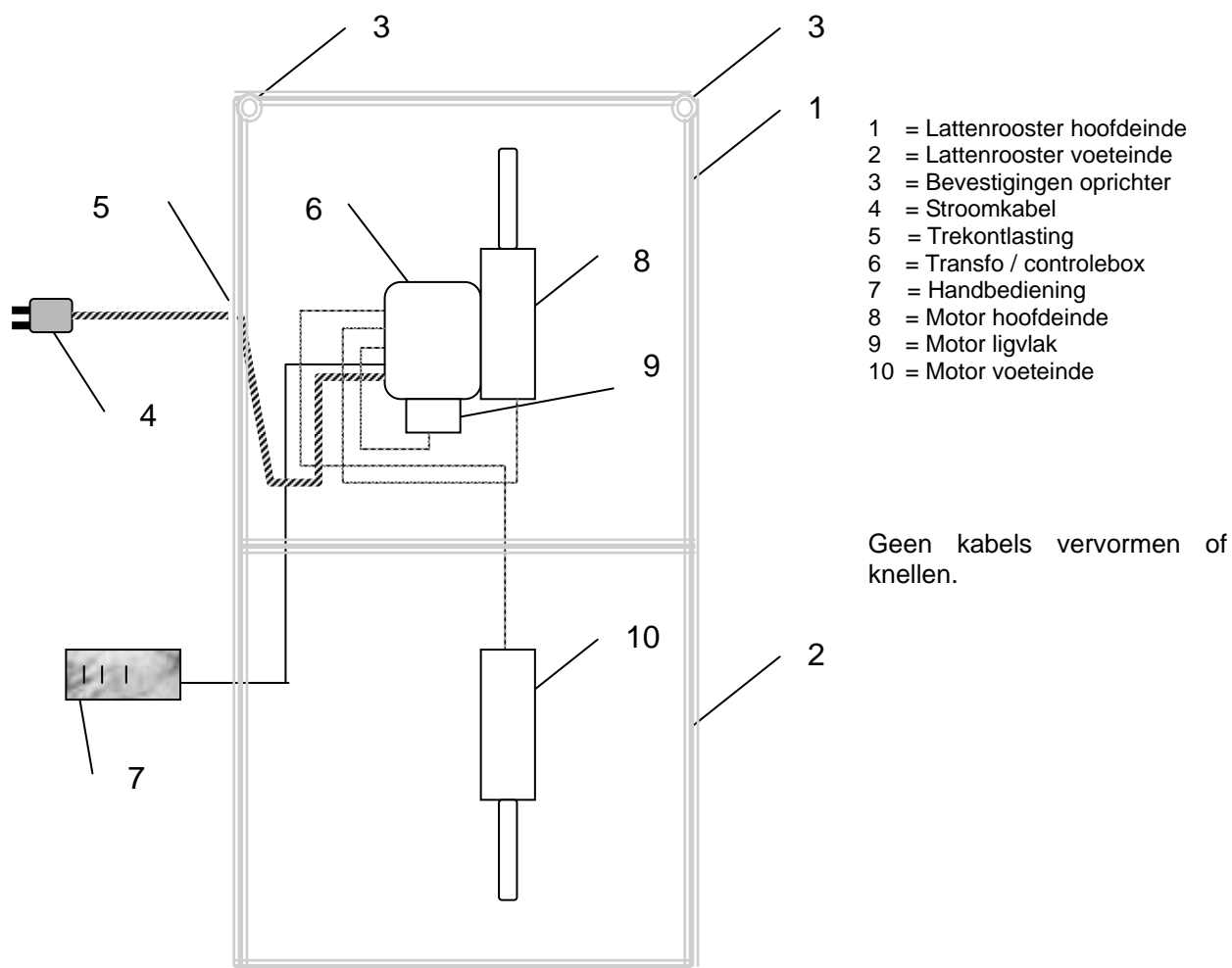
2.9 Transport

⚠ WAARSCHUWING: Gevaar voor letsel – Zorg er voor dat het bed voldoende vastgemaakt is in de auto of de bestelwagen.

⚠ WAARSCHUWING: Gevaar voor letsel – Transporteer het bed enkel zonder patiënt.

Om transportschade te vermijden moet u erop letten dat de oprichter wordt gedemonteerd. Maak het stroomsnoer los en let erop dat geen loshangende kabels op de grond liggen.

2.10 Bekabeling



3 Montage en afstellen

De in dit hoofdstuk beschreven instructies zijn bestemd voor de vakhandelaar.

Om een servicepunt of vakhandelaar in uw buurt te vinden, neemt u contact op met de dichtsbijzijnde Vermeiren faciliteit. Een lijst van de Vermeiren faciliteiten zijn terug te vinden op de laatste bladzijde.

⚠ WAARSCHUWING: Risico bij onveilige beperkingen - Gebruik enkel de beperkingen beschreven in deze handleiding.

3.1 Gereedschap

Voor het opzetten van het bed zijn de volgende gereedschappen nodig.

- Inbussleutel
- Schroevendraaier

3.2 Leveringsomvang

De Vermeiren Interval wordt als volgt geleverd:

1) Interval type 1040 90 cm

- Hefwagen met schaarsysteem (972) ca. 30 kg
- Lattenrooster, voeteneinde (978E) ca. 25 kg
- Lattenrooster, hoofdeinde incl. Transfo en motor (978E) ca. 25 kg
- Houten afschermplaat (hoofd- en voeteneinde) (965) ca. 26 kg
- Onrusthek (2x2 houten latten) (969) ca. 11 kg
- Zelfoprichter + triangel (968) ca. 7 kg
- Handbediening (met 978E)
- Inbussleutel montage (incl. bij 965)
- Handleiding

2) Interval type 1042 90 cm

- Hefwagen met schaarsysteem (972) ca. 30 kg
- Lattenrooster, voeteneinde incl. motor (977E) ca. 28 kg
- Lattenrooster, hoofdeinde incl. Transfo en motor (977E) ca. 25 kg
- Houten afschermplaat (hoofd- en voeteneinde) (965) ca. 26 kg
- Onrusthek (2x2 houten latten) (969) ca. 11 kg
- Zelfoprichter + triangel (968) ca. 7 kg
- Handbediening (met 977E)
- Inbussleutel montage (incl. bij 965)
- Handleiding

3) Interval type 1042 120 cm

- Hefwagen met schaarsysteem (972) ca. 35 kg
- Lattenrooster, voeteneinde incl. motor (977E) ca. 23 kg
- Lattenrooster, hoofdeinde incl. Transfo en motor (977E) ca. 30 kg
- Houten afschermplaat (hoofd- en voeteneinde) (965) ca. 26 kg
- Onrusthek (2x2 houten latten) (969) ca. 11 kg
- Zelfoprichter + triangel (968) ca. 7 kg
- Handbediening (met 977E)
- Inbussleutel montage (incl. bij 965)
- Handleiding

4) Interval type 1042 140 cm

- Hefwagen met schaarsysteem (972) ca. 40 kg
- Lattenrooster, voeteneinde incl. motor (977E) ca. 38 kg
- Lattenrooster, hoofdeinde incl. Transfo en motor (977E) ca. 35 kg
- Houten afschermplaat (hoofd- en voeteneinde) (965) ca. 26 kg
- Onrusthek (2x2 houten latten) (969) ca. 11 kg
- Zelfoprichter + triangel (968) ca. 7 kg
- Handbediening (met 977E)
- Inbussleutel montage (incl. bij 965)
- Handleiding

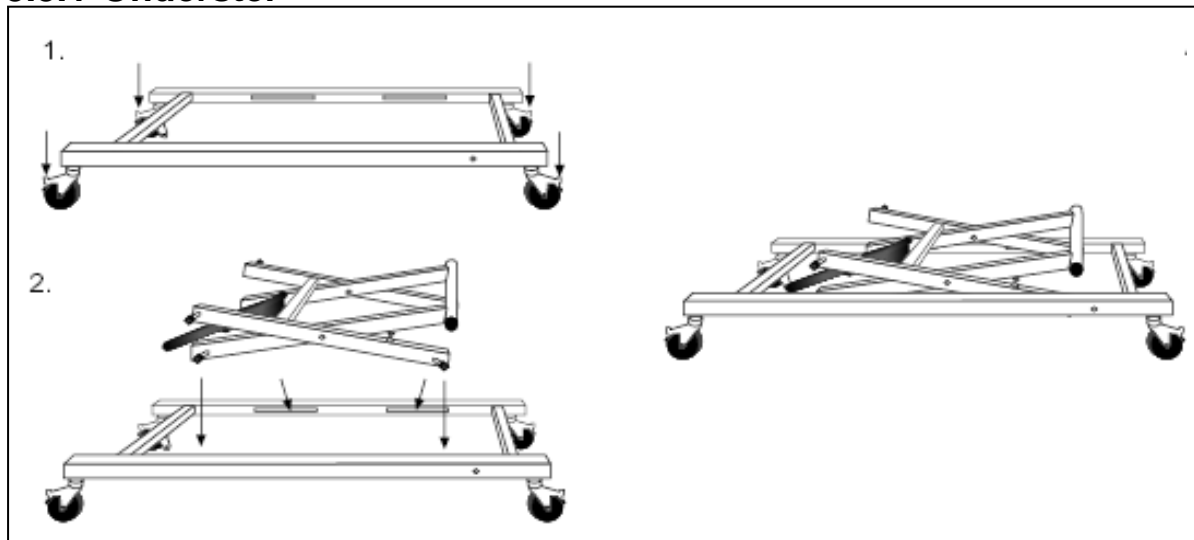
Het verzorgingsbed mag uitsluitend met de hier vermelde componenten worden gebruikt. Wanneer componenten worden weggelaten of vreemde uitrustingen, componenten of elektrische systemen gecombineerd, geldt dit bed niet meer als een door de fabrikant geleverd verzorgingsbed. Het bed wordt dan op eigen risico gebruikt. De CE-conformiteit en de aansprakelijkheid van de fabrikant gelden dan niet.

3.3 Montage

- ⚠ **VOORZICHTIG: kans op beknelling - plaats geen vingers tussen de onderdelen van het bed.**
- ⚠ **VOORZICHTIG: risico op klemmen - houd uw vingers uit de buurt van de bewegende onderdelen van het bed.**

Lees de volgende instructies. Ze helpen u bij het monteren van het verzorgingsbed.

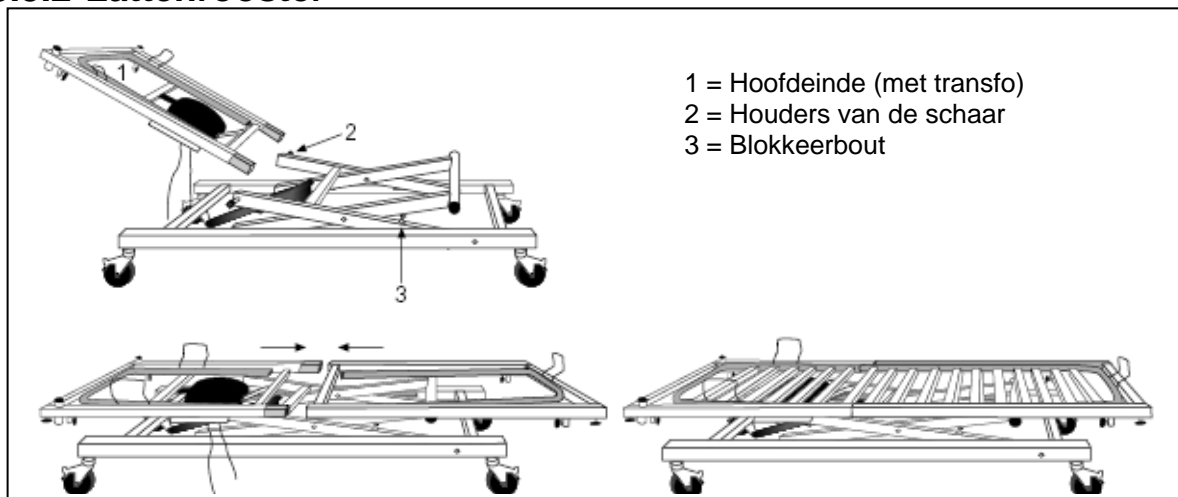
3.3.1 Onderstel



1. Plaats het frame met de wielen op een vlakke en gladde ondergrond. De wielen blokkeren door de vastzetters omlaag te drukken.
2. De schaar in de betreffende houder schuiven zodat de blokkeerbouten van de schaar vastklikken.

Ervoor zorgen dat de motorleidingen niet gekneld zijn.

3.3.2 Lattenrooster

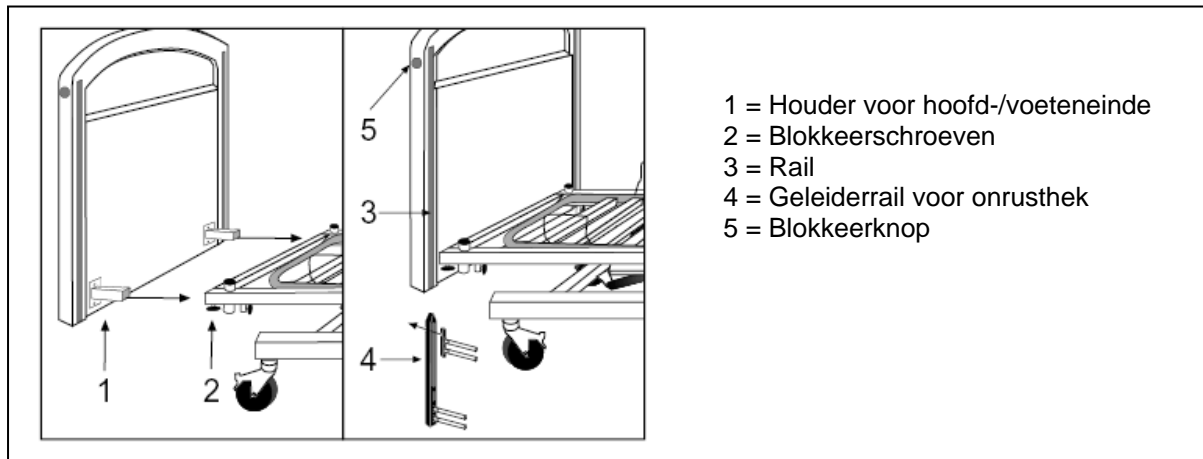


- 1 = Hoofdeinde (met transfo)
- 2 = Houders van de schaar
- 3 = Blokkeerbout

1. Hoofdeinde (met transfo) in de houders (zwart) van de scharen plaatsen. De blokkeerbout van het lattenframe dient als beveiliging.
2. Voeteinde met de rolrail over de rollen van de schaar schuiven.
3. Verbindingsbuizen in elkaar schuiven en aan beide zijden vastzetten met de blokkeerschroeven.
4. Latten op de geleiders plaatsen en voorzichtig aandrukken.

Ervoor zorgen dat de motorleidingen niet gekneld zijn.

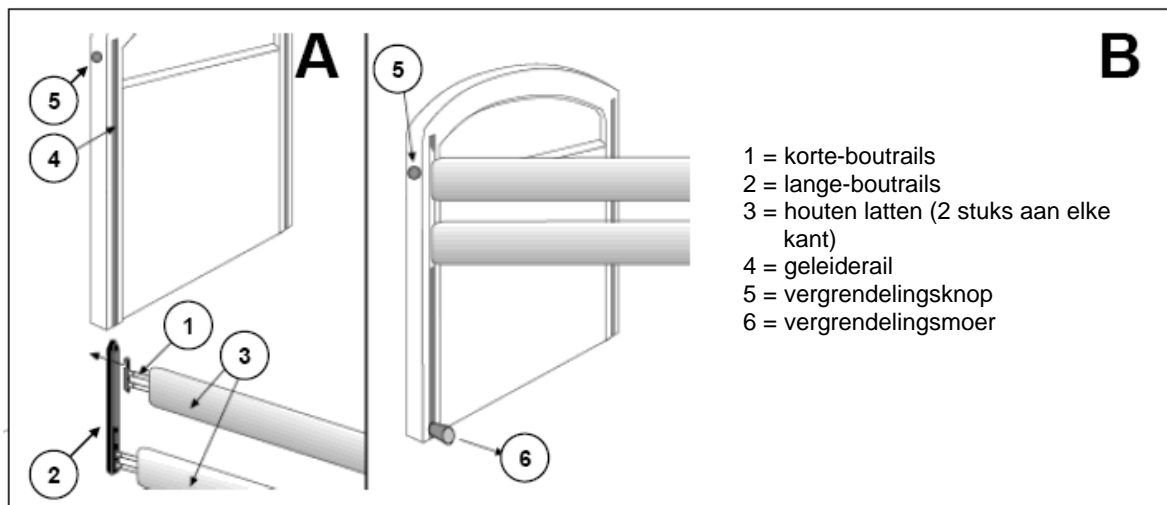
3.3.3 Hoofd- / voeteneinde



- 1 = Houder voor hoofd-/voeteneinde
- 2 = Blokkeerschroeven
- 3 = Rail
- 4 = Geleiderrail voor onrusthek
- 5 = Blokkeerknop

1. De houders voor het hoofd- en voeteneinde monteren met de betreffende schroeven en rondsel (voormontage).
2. Houten einde met de houders in de eindbuis van de lattenbodem schuiven en vastzetten met de blokkeerschroeven.
3. Geleiderrail voor de onrusthekken met de scherpe kant naar boven in de geleiders van het hoofd- en voeteneinde schuiven tot ze bovenaan het hoofd-/voeteneinde vastklikken.

3.3.4 Houten zijrailing



- 1 = korte-boutrails
- 2 = lange-boutrails
- 3 = houten latten (2 stuks aan elke kant)
- 4 = geleiderrail
- 5 = vergrendelingsknop
- 6 = vergrendelingsmoer

- A.** Plaats de korte-boutrails (1) rechts en links in de bovenste houten lat. Plaats de lange-boutrails (2) rechts en links in de onderste houten lat.

Plaats de lange-boutrails (2) in de houten lat één voor één in de geleiderrail voor het hoofd- en voetgedeelte en bevestig ze door de rails helemaal naar binnen te schuiven totdat het bovenste uiteinde naar binnen is geschoven en op zijn plek vastklikt. Maak deze rail aan één kant tot aan de punt weer los door op de vergrendelingsknop (5) te drukken en de bovenste houten lat voorzichtig omhoog te trekken.

Laat de boutrails (2) nog eenmaal van de geleiderrail vallen totdat de punt van de rail nagenoeg in de geleider zit. De korte-boutrail (1) wordt nu samen met de houten lat tussen de muren van de lange-boutrails geschoven en het gehele bout railsysteem (1) + (2) wordt in de betreffende geleiderrail (4) geplaatst door alleen de bovenste houten lat omhoog te trekken en vervolgens de stelling in positie te vergrendelen.

- B.** Plaats de vergrendelingsmoeren (6) en draai ze handmatig vast.

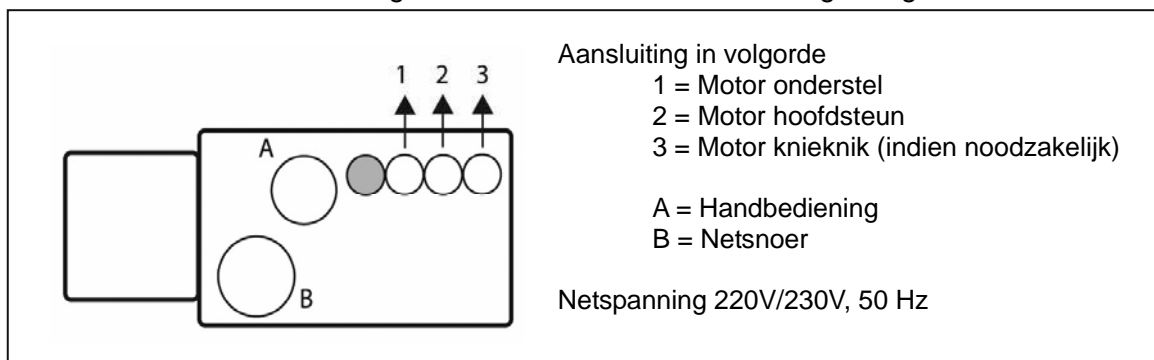
3.3.5 Aansluitingen

- ⚠ **VOORZICHTIG: Kans op letsel - De stekker nooit met natte handen vastnemen.**
- ⚠ **VOORZICHTIG: Kans op letsel - Geen voorwerpen op de aansluiting en toevoerleiding plaatsen en deze beschermen tegen mechanische belasting.**
1. Als stroombron moet een VDE-conform stopcontact van 220V/230V, 50Hz worden gebruikt.
 2. Het diagram voor de aansluitingen van de transformator wordt in onderstaande figuur getoond:

Stoomsnoer altijd aan de stekker uit het stopcontact trekken.

Netsnoer zonder lussen aanbrengen, niet plooiën en niet langs scherpe randen leggen.

Stroomsnoer en toevoerleiding naar de handshakelaar beveiligen tegen knellen.



4 Onderhoud

Voor de onderhoudshandleiding van de bedden kan U de website van Vermeiren raadplegen: www.vermeiren.be, www.vermeiren.nl.



Inhalt

Vorwort	2
1 Produktbeschreibung	3
1.1 Verwendungszweck	3
1.2 Technische Daten	4
1.3 Komponenten	5
1.4 Zeichenerklärung	5
1.5 Zubehör	5
1.6 Für ihre Sicherheit	6
2 Verwendung	7
2.1 Handbedienung mit Sperrfunktion	7
2.2 Betätigen der Bremsen	8
2.3 Zugentlastung	8
2.4 Netzkabel	9
2.5 Notablass Kopfliegeteil	9
2.6 Seitengitter	10
2.7 Aufrichter	11
2.8 Transport in bzw. aus dem Bett	11
2.9 Transport	11
2.10 Kabelverlegung	12
3 Zusammenbau und Einstellung	12
3.1 Werkzeug	12
3.2 Lieferumfang	13
3.3 Aufbau	14
4 Wartung	16



Vorwort

Zuerst möchten wir uns für das Vertrauen bedanken, das Sie in uns gesetzt haben, indem Sie sich für einen unserer Pflegebett entschieden haben.

Die Vermeiren-Pflegebett sind das Ergebnis langjähriger Forschung und Erfahrung. In der Entwicklungsphase wurde besonderer Wert auf Bedienerfreundlichkeit und leichte Wartung des Pflegebett gelegt.

Die zu erwartende Lebensdauer Ihres Bettes hängt im Wesentlichen von der Wartung und Pflege ab, die für das Bett aufgewendet wird.

Diese Bedienungsanleitung soll Ihnen helfen, sich mit der Benutzung Ihres Pflegebett vertraut zu machen.

Das Befolgen der Bedienungsanleitung und der Wartungshinweise bildet einen wesentlichen Teil der Garantiebedingungen.

Diese Bedienungsanleitung spiegelt die neuesten Produktentwicklungen wider. Das Unternehmen Vermeiren behält sich jedoch das Recht vor, Änderungen vorzunehmen. Dabei besteht jedoch keine Verpflichtung, die früher ausgelieferten Modelle anzupassen oder zu ersetzen.

Sollten Sie weitere Fragen haben, so wenden Sie sich bitte an Ihren Fachhändler.

1 Produktbeschreibung

1.1 Verwendungszweck

Mit dem Modell Interval haben Sie ein Pflegebett erworben, das ganz für Ihren Komfort entwickelt wurde. Das Pflegebett bietet Ihnen verschiedene individuelle Verstellmöglichkeiten, die nachfolgend erläutert sind. Lesen Sie daher bitte, um sich mit Ihrem Bett vertraut zu machen, die Gebrauchsanweisung sorgfältig durch.

Das Pflegebett wurde für einen erwachsenen Patienten (ab 12 Jahre, bis zu Max. zulässiges Patientengewicht (siehe Tabelle 1))

Das Bett muss mit einer geeigneten Matratze (min. RG 35, 120 mm Dicke, max. 20 kg) verwendet werden.

Das Bett wurde für behinderte und ältere Menschen zur Unterstützung in der häuslichen Pflege konstruiert.

Bei der individuellen Versorgung sind außerdem:

- Körpergröße und -gewicht (max. 150 kg für Interval 90 cm, max. 240 kg für Interval 120 cm, max. 240 kg für Interval 140 cm)
- körperlicher und geistiger Zustand
- Wohnverhältnisse
- Umgebung

zu beachten.

Das Bett wurde für die Anwendungsumgebung 4 von ISO 60601-2-52: „Pflege im häuslichen Bereich, bei der ME-Ausrüstungen verwendet werden, um eine Verletzung, Behinderung oder Krankheit zu lindern oder zu kompensieren“ konzipiert.

Das Bett darf nur auf Flächen verwendet werden, auf denen alle vier Räder den Boden berühren.

Der Pflegebett darf nicht als Leiter oder als Transportmittel für schwere oder heiße Objekte verwendet werden.

Bei Verwendung des Bettes auf Teppichen, Teppichböden oder lose verlegten Bodenbelägen besteht die Gefahr deren Beschädigung. Außerdem lässt sich das Pflegebett schwerer schieben (ohne Patient!).

Verwenden Sie ausschließlich von Vermeiren genehmigtes Zubehör. Eine Kombination mit anderen Produkten oder Ausstattungen sowie anderen elektrisch betriebenen Geräten ist nicht zulässig.

Für Schäden durch nicht oder mangelhaft durchgeführte Wartung oder durch Nichtbeachtung der folgenden Anweisungen übernimmt der Hersteller keine Haftung.

Das Befolgen der Bedienungsanleitung und der Wartungshinweise bildet einen wesentlichen Teil der Garantiebedingungen.

1.2 Technische Daten

(angegeben in vollständig montiertem Zustand)


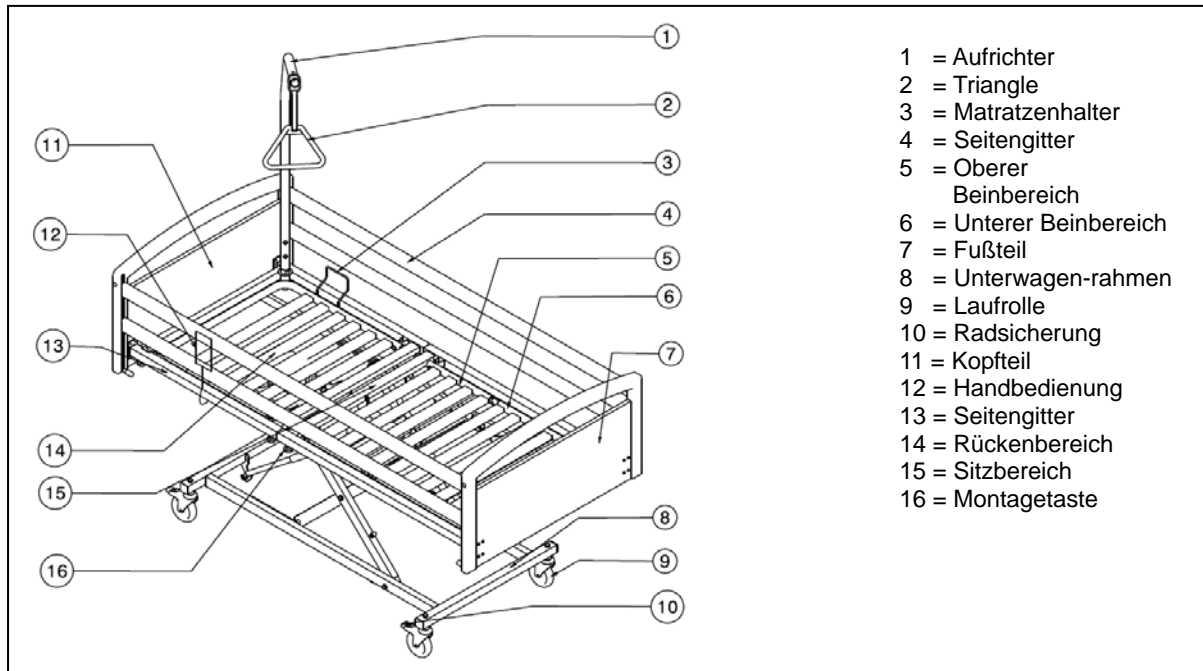
Hersteller	Vermeiren			
Adresse	Vermeirenplein 1/15, B-2920 Kalmthout			
Typ	Pflegebett			
Modell	Interval, Interval 120 cm, Interval 140 cm			
Beschreibung	Interval 90 cm	Interval XXL		
		Interval 120 cm	Interval 140 cm	
Max. zulässiges Patientengewicht	Nennlast 150 kg	Nennlast 240 kg	Nennlast 240 kg	
Länge	2080 mm			
Breite	1030 mm	1330 mm	1530 mm	
Höhe (ohne Aufrichter)	840 mm - 1275 mm	860 mm - 1295 mm	860 mm - 1295 mm	
Höhe (mit Aufrichter)	1870 mm - 2305 mm	1900 mm - 2335 mm	1900 mm - 2335 mm	
Liegefläche höhenverstellbar	Stufenlos von 370 bis 805 mm (ohne Matratze)			
Gesamtgewicht (Ausnahme seitengitter, aufrichter und triangle)	106 kg	124 kg	139 kg	
Verstellung des Rückenbereichs	70.5°			
max. Winkel Oberschenkel	28.5°			
max. Winkel Unterschenkel	-20.5°			
max. sichere Arbeitslast *	185 kg	275 kg	275 kg	
Aufrichter	Nennlast 80 kg			
Matratze	Min. RG 35, 120 mm Dicke, 2000 x 900 mm, max. 20 kg	Min. RG 35, 120 mm Dicke, 2000 x 1200 mm, max. 20 kg	Min. RG 35, 120 mm Dicke, 2000 x 1400 mm, max. 20 kg	
Unterfahrbarkeit für Patientenlifter	145 mm			
Lenkrollen (4 Stück)	Ø 125 mm, feststellbar			
Motor Stirnteile	LA31.28-300-24-001, Linak			
Motor des Rückenbereichs	LA31.2JB-100-24-301, Linak			
Motor des Beinbereichs	LA31.2J-100-24-301, Linak			
Handbedienung	HLW072-002, Linak (Interval-Typ 1040) HLW073-005, Linak (Interval-Typ 1042)	HLW073-005, Linak (Interval-Typ 1042)	HLW073-005, Linak (Interval-Typ 1042)	
Trafo	CB 09SO-3T-24, Linak			
Nennspannung Trafo	U in: 230 V~, ± 10%, 50 Hz, I in: max. 1.5 A, U out: 24V ---, max. 70 VA			
Einschaltdauer	10%, max. 6 min/Std.			
Schalleistungspegel	< 65 dB(A)			
Schutzklasse / Schutzart	Schutzklasse II, Anwendungsteil Typ B / IPX4 (spritzwassergeschützt)			
Temperaturbereich für Lagerung und Nutzung	+ 5 °C	+ 41 °C		
Luftfeuchtigkeitsbereich für Lagerung und Nutzung	30%	70%		
Technische Änderungen vorbehalten. Messtoleranzen ± 15 mm / 1,5 kg / °				
* Max. sichere Arbeitslast = Patientengewicht + Gewicht Matratze + Gewicht andere Zubehör				

Tabelle 1: Technische Daten

Das Pflegebett entspricht den Anforderungen der folgenden Normen:

- EN 1970: Verstellbare Betten für körperbehinderte Personen: Anforderungen und Testmethoden
- EN 1970+ A1: Verstellbare Betten für körperbehinderte Personen: Anforderungen und Testmethoden
- EN 60601-2-38/A1: Elektrische medizinische Ausrüstung - Teil 2-38: Besondere Anforderungen für die Sicherheit von elektrisch verstellbaren Krankenhausbetten

1.3 Komponenten



1.4 Zeichenerklärung



Max. Gewicht



CE Konformität



Sicherheitshinweise



Gebrauchsanweisung beachten



Richtige Verfahrens- / Anwendungsweise



Falsche Verfahrens- / Anwendungsweise



Schutzklasse II



Anwendungsteil Typ B



Typenbezeichnung

1.5 Zubehör

⚠️ WARNUNG: Bei Verwendung der im Folgenden nicht aufgeführten Zubehörteile müssen zusätzliche Vorsichtsmaßnahmen getroffen werden.

- Drittes Seitenteil (Holz)

1.6 Für ihre Sicherheit

- ⚠ Lesen Sie vor dem Gebrauch dieses Pflegebettes die Gebrauchsanweisung sorgfältig durch.
- ⚠ Positionieren und benutzen Sie Ihr Pflegebett nur auf geraden und ebenen Flächen, so dass alle vier Lenkrollen sicher auf dem Boden stehen.
- ⚠ Achten Sie beim Standort des Bettes darauf, dass im kompletten Verstellbereich keine Hindernisse vorhanden sind.
- ⚠ Ist der Patient unbeaufsichtigt, ist das Bett zuvor in die niedrigste Position zu verfahren, um das Risiko von Verletzungen durch Fallen beim Einsteigen in, Aussteigen aus dem Bett oder das Liegen im Bett zu verringern.
- ⚠ Ist der Patient unbeaufsichtigt, sind die Seitengitter beider Seiten in die obere Position zu bringen. Das ein- oder beidseitige Absenken ist nur im Beisein einer Aufsichtsperson zulässig.
- ⚠ Achten Sie bei der Montage/Demontage und Benutzung auf Ihre Hände – Quetschgefahr !
- ⚠ Fassen Sie zum Transport des Bettes nur an feste Rahmen-/ und Holzteile.
- ⚠ Alle vier Lenkrollen sind immer vor der Benutzung des Pflegebettes festzustellen.
- ⚠ Medizinisch-elektrische Anwendungen innerhalb des Pflegebettes sind untersagt !
- ⚠ Lehnen Sie sich nicht an oder auf die Seitengitter – Unfallgefahr !
- ⚠ Seitliches Hinauslehnen des Oberkörpers vermeiden – Unfallgefahr !
- ⚠ Beine nicht durch Auflegen auf andere Gegenstände entlasten – Unfallgefahr
- ⚠ Keine Körperteile oder Gegenstände während einer Verstellung zwischen Scharniere, Gelenke oder andere Klemmteile halten – Quetschgefahr !
- ⚠ Hände während der Bein- oder Rückenverstellung nicht zwischen Rahmen und Matratze schieben – Quetschgefahr !
- ⚠ Verwenden Sie den Netzstecker nur an einer Netzsteckdose nach VDE (220V/230V, 50 Hz).
- ⚠ Ziehen Sie alle Steckverbindungen nur am Stecker; ziehen Sie nicht an den Leitungen.
- ⚠ Sperren Sie die Handbedienung nach jedem Gebrauch mit der Sperrfunktion auf die Handbedienung.
- ⚠ Verwenden Sie Ihr Pflegebett nur in trockenen Räumen.
- ⚠ Verwenden Sie nur eine Matratze, die den Vorgaben des Bettenherstellers entspricht.
- ⚠ Bei Verformungen des Aufrichters ist dieser auszutauschen.
- ⚠ Die Seitengitter müssen auch bei mauerzugewandter Seite montiert bleiben.
- ⚠ Führen Sie keine Reparaturen selbstständig durch – Unfallgefahr !
- ⚠ Öffnen Sie kein Gehäuse des Antriebssystems – Unfallgefahr !
- ⚠ Transport das Bett ohne Patienten.
- ⚠ Achten Sie darauf, dass alle elektrischen Leitungen ohne Knickstellen, Scheuerstellen oder andere mechanische Schäden aufgehängt werden.
- ⚠ Alle Kabel sind so zu verlegen, dass kein Bodenkontakt besteht und keine Quetschungen der Kabel vorliegen.
- ⚠ Die zusätzliche Verwendung und Anbringung von mechanischen oder elektrischen Geräten ist untersagt.
- ⚠ Wartung, Inspektion, Instandsetzung und Desinfektion sind nur von autorisierten und geschulten Personen durchzuführen.
- ⚠ Verwenden Sie nur Originalersatzteile des Herstellers für Ihr Pflegebett.
- ⚠ Belasten Sie Ihr Pflegebett nicht über den vom Hersteller angegebenen Wert.
- ⚠ Innerhalb des Pflegebettes besteht ein Verbot von offenen Flammen oder Glimmkörpern (Kerzen, Zigaretten, etc.)
- ⚠ Ersetzen Sie Ihre Seitengitter, wenn diese verbogen oder durchgebrochen sind, da sonst die Gefahr des Herausfallens aus dem Bett besteht.
- ⚠ Die Nutzung Ihres Bettes kann andere elektrische Geräte beeinflussen (Störgeräusche). Vermeiden Sie den gleichzeitigen Gebrauch.

- ⚠ Beachten Sie alle Sicherheits- und Gebrauchshinweise.
- ⚠ Ein elektrisch betriebenes Bett muss in einem gewissen Abstand zu einer Netzsteckdose aufgestellt werden.
- ⚠ Das Pflegebett darf nur mit einer Hebevorrichtung benutzt werden, deren Füße unter den eingeschränkten Platz des Pflegebettes geschoben werden kann.

2 Verwendung

In diesem Kapitel wird die tägliche Verwendung beschrieben. **Diese Anweisungen richten sich an den Benutzer und an den Fachhändler.**

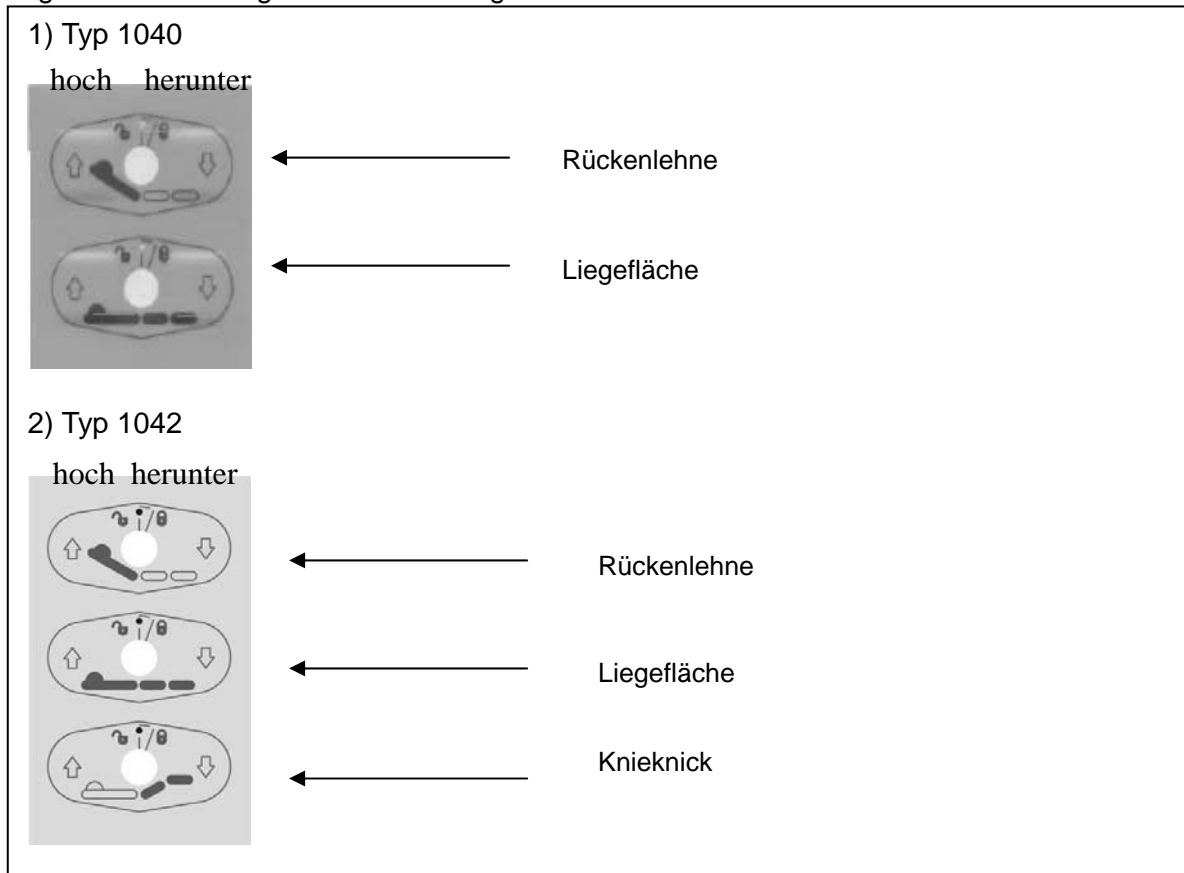
Der Pflegebett wird Ihnen vollständig aufgebaut von Ihrem Fachhändler geliefert. Anweisungen für den Fachhändler, wie der Pflegebett zusammengebaut und eingerichtet wird, befinden sich in § 3.


- ⚠ **WARNUNG: Gefahr eines elektrischen Schlages - Stellen Sie sicher, dass keine Kabel gequetscht werden.**
- ⚠ **WARNUNG: Das Pflegebett darf nur mit einer Hebevorrichtung benutzt werden, deren Füße unter den eingeschränkten Platz des Pflegebettes geschoben werden kann.**

2.1 Handbedienung mit Sperrfunktion

Die Liegeflächenhöhe, Rückenlehne und der Knieknick sind über die Handbedienung zu bedienen. Hängen Sie die Handbedienung an den Seitenholm nach Gebrauch.

Folgende Verstellungen können betätigt werden:





Die Handbedienung verfügt über eine Sperrfunktion. Sie ermöglicht das Sperren bzw. Freigeben einer oder mehrerer Funktionen.

Vorsichtsmaßnahmen:

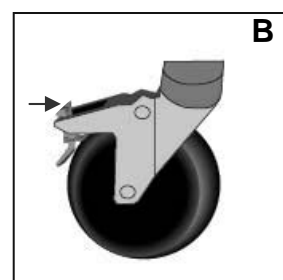
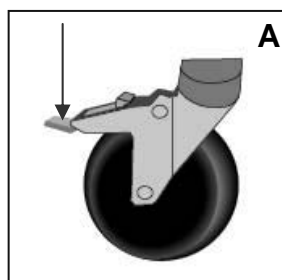
- Zum Wechseln zwischen den Positionen zum Sperren und Freigeben muss ein kleiner Schalter zwischen den Bedienungstasten mithilfe eines Schlüssels gedreht werden. Dieser Schlüssel darf nur dem Pflegepersonal zugänglich sein.

2.2 Betätigen der Bremsen

- ⚠ **WARNUNG:** Die Funktion der Lenkrollen wird durch Verschleiß und Kontamination der Räder (Wasser, Öl ...) beeinflusst – Prüfen Sie den Zustand der Lenkrollen vor jeder Verwendung.
- ⚠ **WARNUNG:** Die Lenkrollen können verschleifen – Prüfen Sie den Zustand der Lenkrollen vor jeder Verwendung.
- ⚠ **WARNUNG:** Unfallgefahr - Stellen Sie immer alle Lenkrollen fest. Beim Feststellen nur einer Lenkrolle kann sich das Bett noch bewegen.

Um ungewollte Rollbewegungen zu verhindern, sind alle Lenkräder feststellbar.

- **Feststellen (A)**
Fläche des Kippshebels mit dem Fuß bis zum Anschlag nach unten treten.
- **Lösen (B)**
Fläche des Kippshebels mit dem Fuß bis zum Anschlag nach vorne treten.

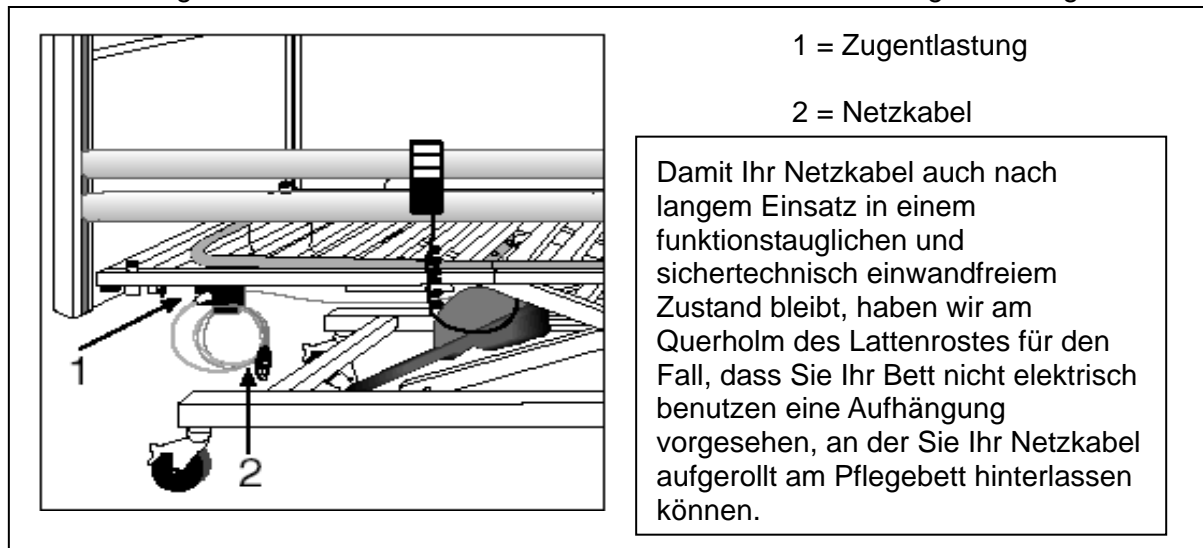


2.3 Zugentlastung

- ⚠ **WARNUNG:** Die Zugentlastung darf nicht entfernt werden.
- ⚠ **WARNING:** Nothing must be fitted to or hung on the relief unit.
- ⚠ **WARNING:** Aufhängen des Netzkabels ohne Knickstellen, ohne Zug und ohne Bodenkontakt.

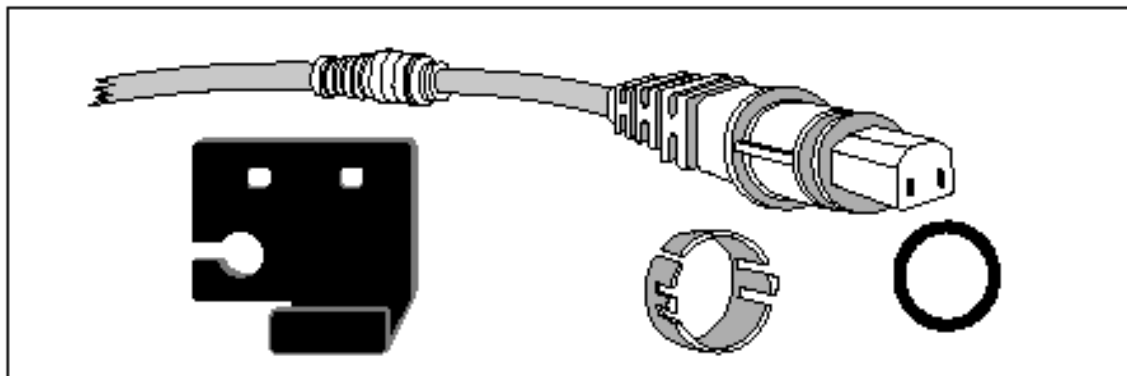
Zu Ihrer Sicherheit ist das Netzanschlusskabel mit einer Zugentlastung ausgerüstet, die verhindern soll, dass der Netzstecker aus dem Trafo gezogen wird, wobei Kabelbrüche entstehen können oder der Spritzwasserschutz des Systems nicht mehr vollständig gewährleistet ist.

Gleichzeitig wird sichergestellt, dass die Netzzuleitung nicht unterhalb des Bettes liegt, damit ein unfreiwilliges Überfahren des Netzkabels vermieden wird. Diese Zugentlastung ist



2.4 Netzkabel

Damit Ihr Netzkabel auch nach langem Einsatz in einem funktionstauglichen und sichertechnisch einwandfreiem Zustand bleibt, haben wir am Querholm des Lattenrostes für den Fall, dass Sie Ihr Bett nicht elektrisch benutzen eine Aufhängung vorgesehen, an der Sie Ihr Netzkabel aufgerollt am Pflegebett hinterlassen können.

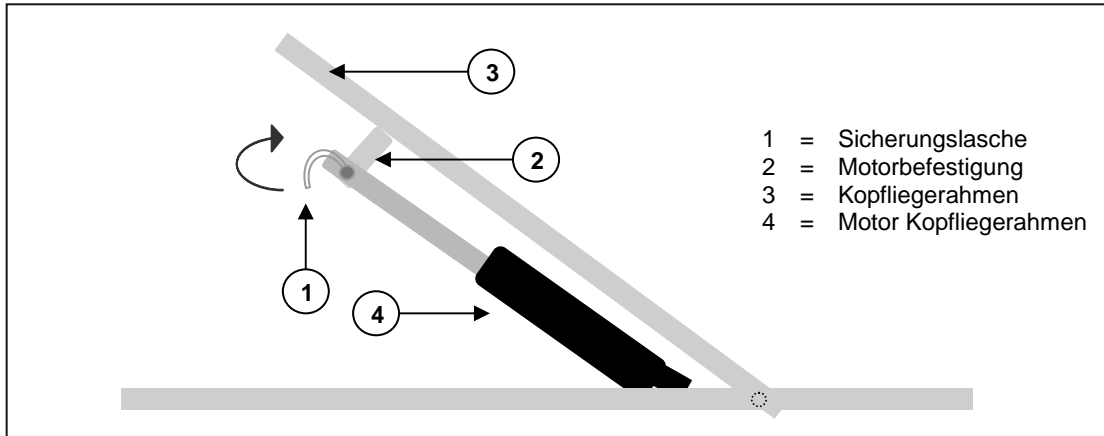


2.5 Notablass Kopfliegenteil

- ⚠ **WARNUNG:** Verletzungsgefahr - Achten Sie darauf, dass sich keine Gegenstände oder Körperteile zwischen der Kopfstütze und dem Rahmen befinden.
- ⚠ **WARNUNG:** Verletzungsgefahr - Notablass nur mit mindestens zwei Personen zulässig.

Das Kopfliegenteil lässt sich manuell absenken (Notablass bei Versagen des Motors)

- Handhabung:
1. Halten Sie den Kopfliegerahmen mit beiden Händen fest, um diesen vor dem Herunterfallen zu sichern.
 2. Eine zweite Person legt die Sicherungslasche der oberen Motorbefestigung um und zieht den Sicherungsbolzen heraus. Der Motor kann jetzt aus der Aufhängung entfernt werden.
 3. Kopfteil langsam ablassen.



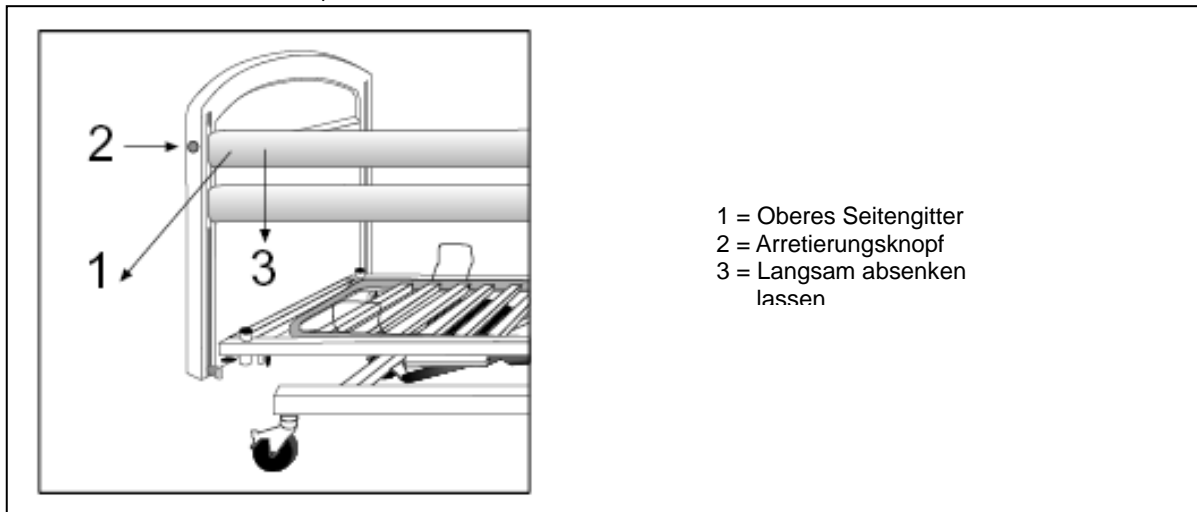
2.6 Seitengitter

Die Seitengitter sind einseitig absenkbar.

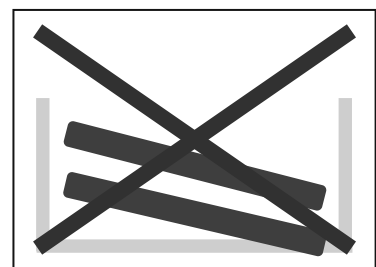
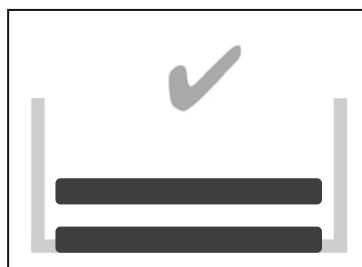
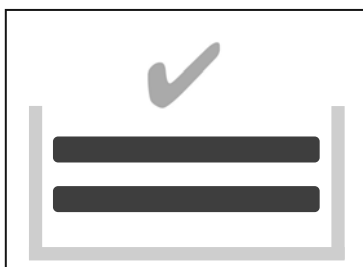
- **Absenken**

- ⚠ **WARNUNG: Verletzungsgefahr - Sichern Sie die Seitengitter gegen ungewolltes Herabfallen.**
- ⚠ **WARNUNG: Verletzungsgefahr - Achten Sie darauf, dass keine Gegenstände oder Körperteile über den Liegebereich herausragen.**
- ⚠ **WARNUNG: Verletzungsgefahr - Senken Sie das Seitengitter auf einer Seite nicht ab, wenn der Patient nicht beaufsichtigt wird.**

1. Oberes Seitengitter leicht anheben
2. Arretierknopf am seitlichen Kopf-/Fußteil eindrücken
3. Seitengitter langsam herablassen. (Ergreifen Sie immer nur die obere Holzlatte !)

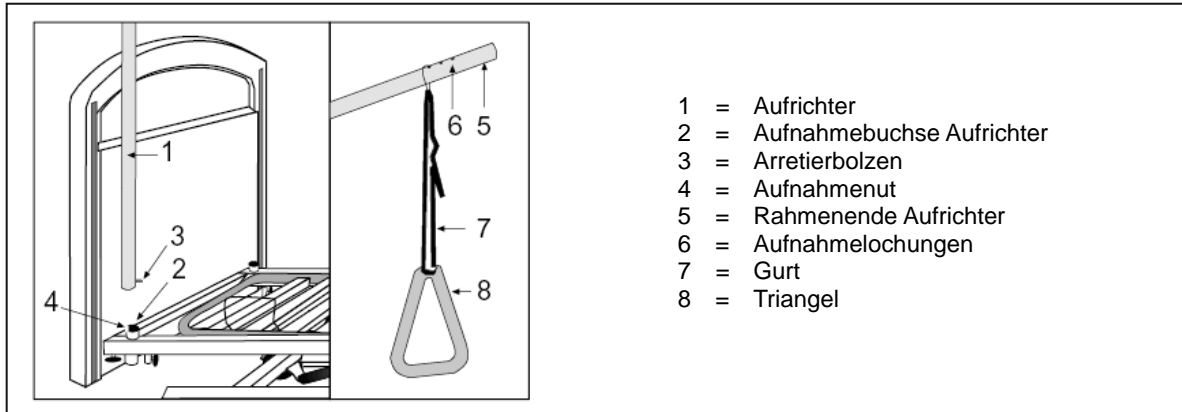


Stellen Sie sicher, dass die Bettfunktionen nicht beeinträchtigt sind, wenn Sie die Seitengitter nach oben oder unten bewegen, zum Beispiel bei Verwendung von Zubehör oder Anbauten, da sonst die Sicherheit des Patienten gefährdet ist.



2.7 Aufrichter

Der Aufrichter ist auf beiden Seiten vom Kopfteilrahmen montierbar.



- Aufrichter (1) bis zum Anschlag in die gewünschte Aufnahmebuchse (2) setzen.
- Arretierbolzen (3) dabei in die Aufnahmenut (4) gleiten lassen.
- Metallschleife über das obere Rahmenende (5) ziehen, bis der Bolzen in einer der drei Aufnahmelochungen (6) einsinkt.
- Gurt (7) in die Metallschleife ziehen, ebenso durch die Triangel (8) und die Länge festlegen. Gurt feststellen.

2.8 Transport in bzw. aus dem Bett

⚠ VORSICHT: Sturzgefahr - Falls Sie sich nicht sicher allein in bzw. aus dem Bett bewegen können, bitten Sie jemandem um Hilfe.

1. Positionieren Sie sich so nah wie möglich zum Bett.
2. Prüfen Sie, ob die Bremsen am Bett betätigt sind.
3. Entfernen oder klappen Sie die Seitengitter des Bettes herunter.
4. Setzen Sie sich auf das Bett bzw. stehen Sie auf.

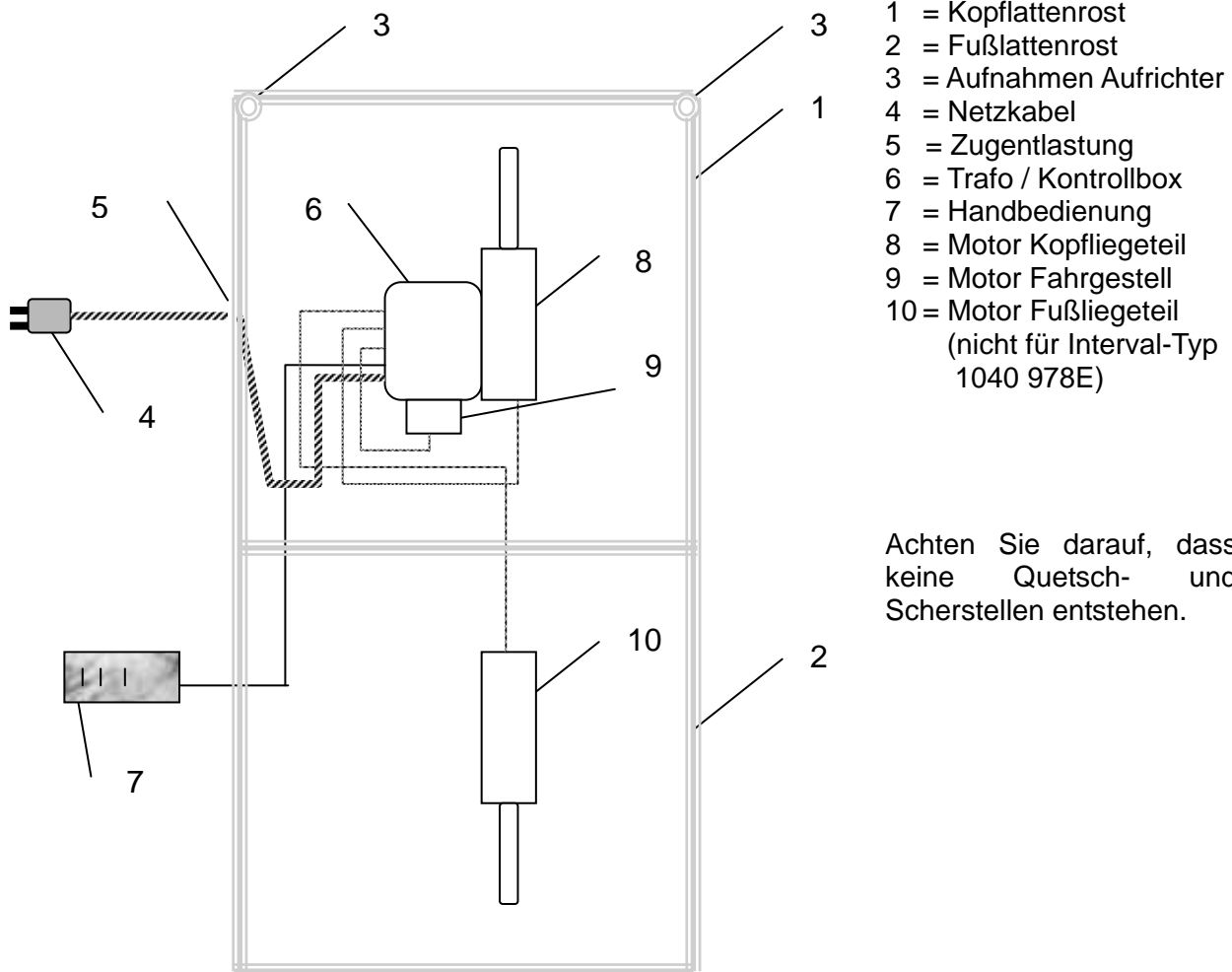
2.9 Transport

⚠ WARNUNG: Verletzungsgefahr – Achten Sie darauf, den Pflegebett ordnungsgemäß zu befestigen im Auto oder Lieferwagen.

⚠ WARNUNG: Verletzungsgefahr – Transport des Bettes nur ohne Patienten.

Um Transportschäden zu vermeiden, achten Sie darauf, dass der Aufrichter abmontiert wird. Trennen Sie die Netzzuleitung und achten Sie darauf, dass keine hängenden Verkabelungen in Bodennähe liegen.

2.10 Kabelverlegung



3 Zusammenbau und Einstellung

Die Anweisungen in diesem Kapitel richten sich an den Fachhändler.

Um einen Fachhändler in Ihrer Nähe zu finden, stehen Ihnen unsere Niederlassungen gerne zur Verfügung. Eine Auflistung aller Vermeiren Niederlassungen finden Sie auf der letzten Seite dieser Gebrauchsanweisung.

⚠ WARNUNG: Nutzen Sie das Produkt nur gemäß den technischen Vor- und Angaben dieser Gebrauchsanweisung.

3.1 Werkzeug

Für die Montage des Pflegebettes werden die folgenden Werkzeuge benötigt:

- Inbusschlüssel
- Schraubendreher

3.2 Lieferumfang

Der Lieferumfang des Vermeiren Interval umfasst:

1) Interval typ 1040 90 cm

- Fahrgestell mit Schere System (972) ca. 30 kg
- Lattenrost, Fußteil (978E) ca. 25 kg
- Lattenrost, Kopfteil inkl. Trafo und Motor (978E) ca. 25 kg
- Holzverschalung (Kopfteil und Fußteil) (965) ca. 26 kg
- Seitengitter (2x2 Holzlatten) (969) ca. 11 kg
- Bettgalgen + Triangelgriff (968) ca. 7 kg
- Handbedienung (mit 978E)
- Inbusschlüssel (Aufbau) (inkl. für 965)
- Gebrauchsanweisung

2) Interval typ 1042 90 cm

- Fahrgestell mit Schere System (972) ca. 30 kg
- Lattenrost, Fußteil inkl. Motor (977E) ca. 28 kg
- Lattenrost, Kopfteil inkl. Trafo und Motor (977E) ca. 25 kg
- Holzverschalung (Kopfteil und Fußteil) (965) ca. 26 kg
- Seitengitter (2x2 Holzlatten) (969) ca. 11 kg
- Bettgalgen + Triangelgriff (968) ca. 7 kg
- Handbedienung (mit 977E)
- Inbusschlüssel (Aufbau) (inkl. für 965)
- Gebrauchsanweisung

3) Interval typ 1042 120 cm

- Fahrgestell mit Schere System (972) ca. 35 kg
- Lattenrost, Fußteil inkl. Motor (977E) ca. 23 kg
- Lattenrost, Kopfteil inkl. Trafo und Motor (977E) ca. 30 kg
- Holzverschalung (Kopfteil und Fußteil) (965) ca. 26 kg
- Seitengitter (2x2 Holzlatten) (969) ca. 11 kg
- Bettgalgen + Triangelgriff (968) ca. 7 kg
- Handbedienung (mit 977E)
- Inbusschlüssel (Aufbau) (inkl. für 965)
- Gebrauchsanweisung

4) Interval typ 1042 140 cm

- Fahrgestell mit Schere System (972) ca. 40 kg
- Lattenrost, Fußteil inkl. Motor (977E) ca. 38 kg
- Lattenrost, Kopfteil inkl. Trafo und Motor (977E) ca. 35 kg
- Holzverschalung (Kopfteil und Fußteil) (965) ca. 26 kg
- Seitengitter (2x2 Holzlatten) (969) ca. 11 kg
- Bettgalgen + Triangelgriff (968) ca. 7 kg
- Handbedienung (mit 977E)
- Inbusschlüssel (Aufbau) (inkl. für 965)
- Gebrauchsanweisung

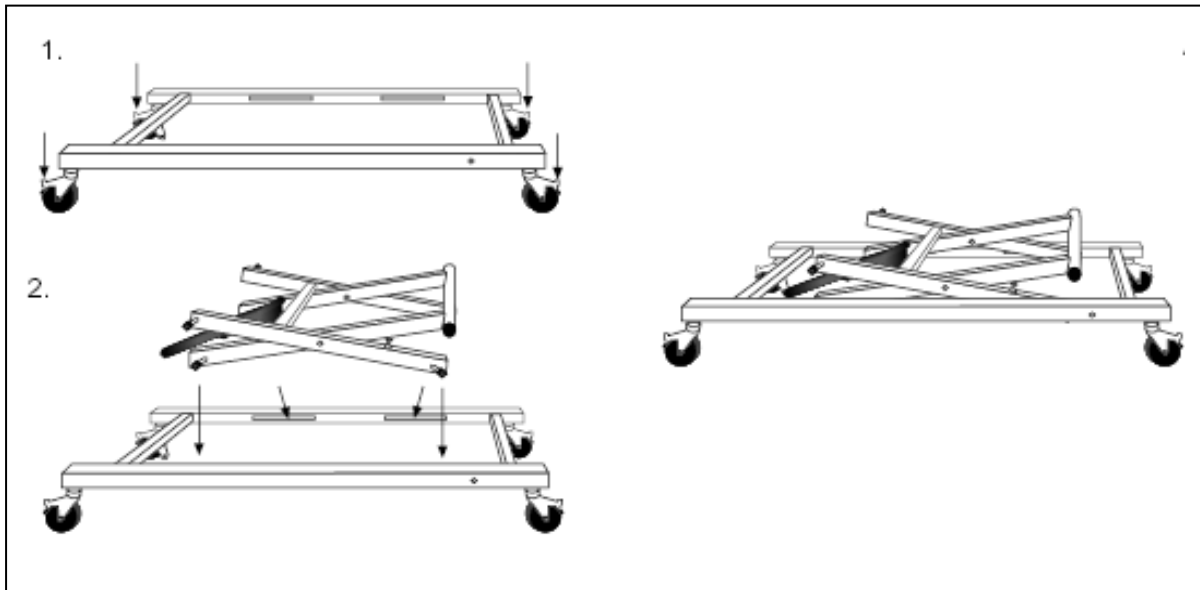
Das Pflegebett darf nur mit den hier aufgeführten Bauteilen verwendet werden. Werden Bauteile weggelassen oder fremde Ausstattungen, Komponenten sowie elektrische Systeme kombiniert, gilt dieses Bett nicht mehr als ein vom Hersteller geliefertes Pflegebett und die Benutzung unterliegt eigener Gefahr. Die CE-Konformität und die Herstellerhaftung entfällt.

3.3 Aufbau

- ⚠ **VORSICHT:** Quetschgefahr - Achten Sie bei der Montage des Pflegebettes auf Ihre Finger.
- ⚠ **VORSICHT:** Klemmgefahr – Halten Sie Ihre Finger fern von sich bewegenden Teilen des Pflegebettes.

Beachten Sie folgende Hinweise, die Ihnen den Aufbau Ihres Pflegebettes verdeutlichen.

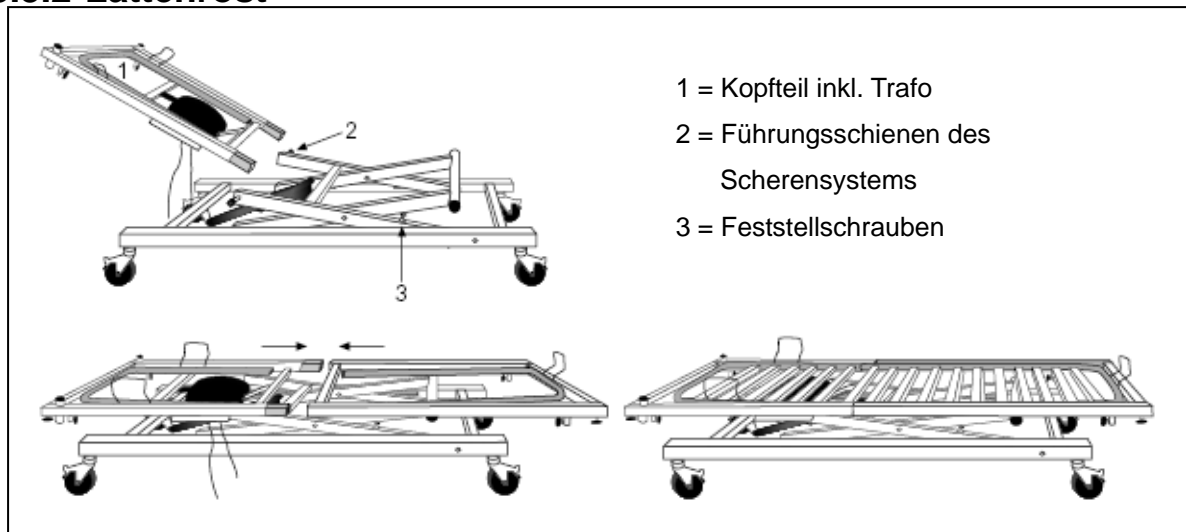
3.3.1 Fahrgestell



1. Stellen Sie den Unterrahmen auf einen ebenen und gleichmäßigen Untergrund und arretieren Sie danach die Bremsen aller vier Laufrollen.
2. Setzen Sie das Scherensystem so in die Führungen, dass die Arretierungen passend einrasten.

Motorzuleitung vor Quetschungen schützen.

3.3.2 Lattenrost



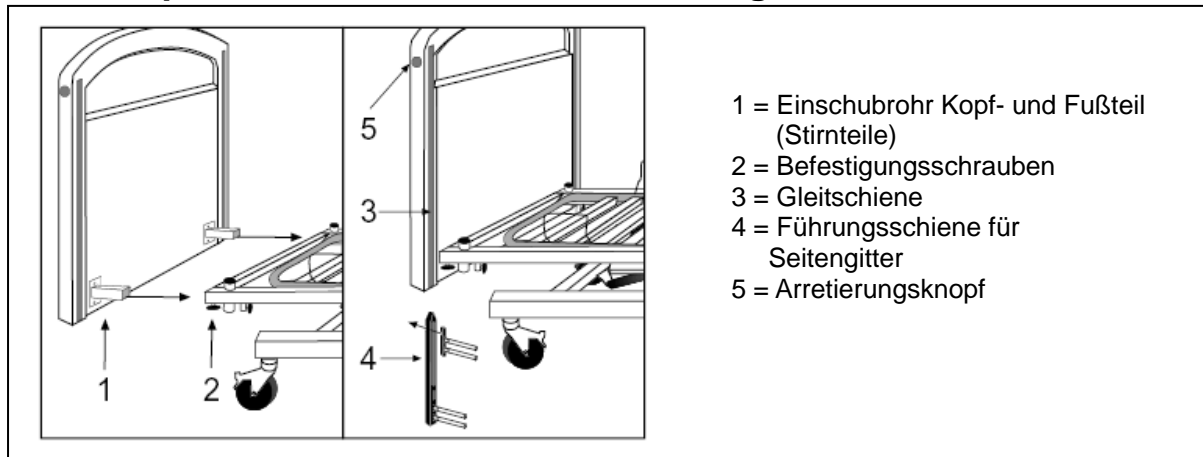
- 1 = Kopfteil inkl. Trafo
- 2 = Führungsschienen des Scherensystems
- 3 = Feststellschrauben

1. Das Kopfteil des Lattenrostes (inkl. Trafoeinheit) soll so auf das Scherensystem gesetzt werden, dass die Führungen am Lattenboden in den schwarzen Arretierungsbolzen einrasten. Diese dienen der sicheren Befestigung.

2. Führen sie das Fußteil vom Fußende zu den Enden des Kopfteiles, dass die Kugelräder in die Schienen am Lattenboden rollen.
3. Bringen Sie beide Teile des Lattenbodens zusammen, indem Sie die nicht lackierten Führungsrohre in die gegenüberliegenden Rohrenden des jeweiligen Lattenbodenteils schieben, bis diese Verbindung mit den Befestigungsschrauben gesichert werden kann.
4. Legen Sie die Latten des Rostes auf die dafür vorgesehenen Aufnahmen am Lattenboden und drücken Sie diese leicht in Position.

Motorzuleitung vor Quetschungen schützen.

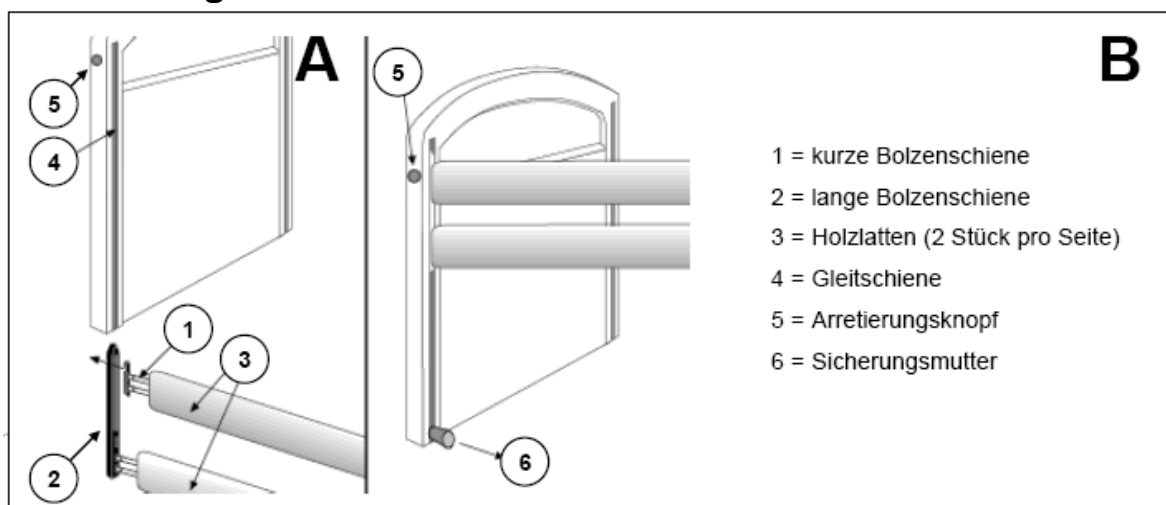
3.3.3 Kopfteil und Fußteil Holzverschalung



- 1 = Einschubrohr Kopf- und Fußteil (Stirnteile)
- 2 = Befestigungsschrauben
- 3 = Gleitschiene
- 4 = Führungsschiene für Seitengitter
- 5 = Arretierknopf

1. Befestigen Sie die Einschubrohre an den Stirnteilen mit den mitgelieferten Schrauben. In den Holzteilen sind passende Gewinde eingelassen.
2. Stecken nun die Stirnteile mit den montierten Einschubrohren in die Rohrenden des Lattenrostes an Kopf- und Fußende und sichern Sie diese Verbindung mit den Befestigungsschrauben.
3. Schieben Sie die die Führungsschienen der Seitengitter, nachdem Sie diese zuvor in die Holzlatten gesteckt haben, so in die Gleitschienen der Stirnteile, dass diese Führungsschienen mit der angespitzten Seite nach oben bis zum Ende der Gleitschiene geschoben werden können und dort arretieren.

3.3.4 Seitengitter aus Holz



- 1 = kurze Bolzenschiene
- 2 = lange Bolzenschiene
- 3 = Holzlatten (2 Stück pro Seite)
- 4 = Gleitschiene
- 5 = Arretierknopf
- 6 = Sicherungsmutter

- A. Stecken Sie die kurzen Bolzenschienen (1) rechts und links in die obere Holzlatte. Stecken Sie die langen Bolzenschienen (2) links und rechts in die untere Holzlatte.

Stecken Sie die langen Bolzenschienen (2) nacheinander in die Holzlatte der Gleitschiene für das Kopf- und Fußteil und sichern Sie sie, indem Sie die Schienen so tief einstecken, bis das obere Ende mit einem Klick einrastet. Geben Sie diese Schiene auf einer Seite wieder frei, bis die Spitze dieser Schiene gerade noch in der Führung verbleibt, indem Sie den Arretierknopf (5) drücken und die obere Holzlatte vorsichtig nach oben ziehen.

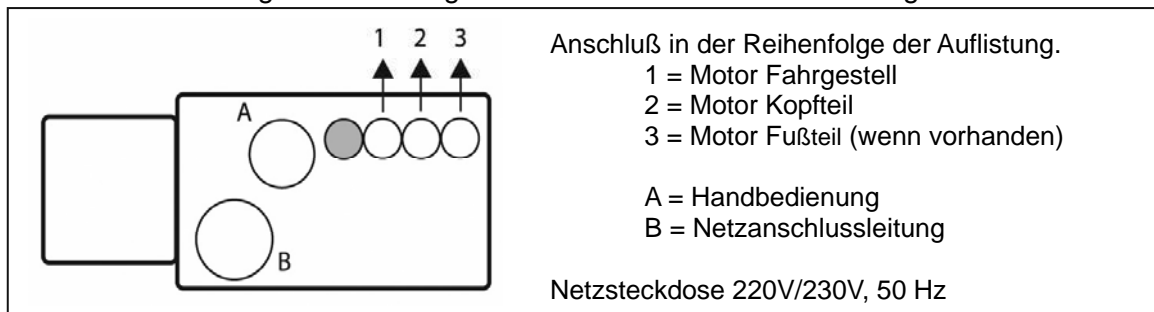
Lassen Sie die Bolzenschienen (2) erneut von der Gleitschiene fallen, bis die Spitze der Schiene eben in der Führung sitzt. Die kurze Bolzenschiene (1) wird nun zusammen mit der Holzlatte zwischen den Wänden der langen Bolzenschienen eingesetzt, und das gesamte Bolzenschienensystem (1) + (2) wird in der entsprechenden Gleitschiene (4) positioniert, indem nur die obere Holzlatte angehoben und die Struktur dann in dieser Position gesichert wird.

B. Die Kontermuttern (6) aufsetzen und handfest anziehen.

3.3.5 Transformator Anschlüsse

- ⚠ **VORSICHT: Verletzungsgefahr - Stecker nicht mit nassen Händen berühren.**
⚠ **VORSICHT: Verletzungsgefahr - Keine Gegenstände auf Anschluss und Zuleitung stellen, sowie vor mechanischen Belastungen schützen.**
1. Als Stromquelle ist eine nach VDE-Bestimmungen errichtete Netzsteckdose 220V/230V, 50Hz zu benutzen.
 2. Anschluss an den Transformator nur nach folgendem Schema:

Netzanschlussleitung nur am Stecker anfassen und aus der Netzsteckdose ziehen.
Netzanschlussleitung ohne Schlingen verlegen, nicht knicken oder um scharfe Kanten legen.
Netzanschlussleitung und Zuleitung zum Handschalter vor Quetschung schützen.



4 Wartung

Hinweise zur Wartung der Pflgebett entnehmen Sie bitte der Website von Vermeiren:
www.vermeiren.de, www.vermeiren.at, www.vermeiren.ch.



Indice

Premessa	2
1 Descrizione del prodotto	3
1.1 Utilizzo previsto	3
1.2 Specifiche tecniche.....	4
1.3 Componenti	5
1.4 Significato dei simboli	5
1.5 Accessori	6
1.6 Sicurezza	6
2 Utilizzo	7
2.1 Comando manuale con funzione di blocco	7
2.2 Utilizzo dei freni.....	8
2.3 Sistema antitrazione	8
2.4 Cavo di alimentazione.....	9
2.5 Alzatesta a funzionamento manuale d'emergenza.....	9
2.6 Sponde di contenimento	10
2.7 Staffa di sollevamento	11
2.8 Trasferire il letto all'interno e all'esterno	11
2.9 Transport	11
2.10 Cablaggio	12
3 Installazione e regolazione	12
3.1 Attrezzi	12
3.2 Modalità di consegna	13
3.3 Montaggio	14
4 Manutenzione	16



Premessa

Ringraziamo per la fiducia accordataci con l'acquisto di una letto di nostra produzione.

Le letto Vermeiren sono il risultato di molti anni di ricerca ed esperienza. Durante lo sviluppo, è stata dedicata attenzione speciale alla facilità d'uso e alla praticità della letto.

La durata del letto dipende fortemente dalla cura e manutenzione che vi si dedicano.

Il presente manuale ha lo scopo di aiutare ad acquisire familiarità con il funzionamento della letto.

Attenersi alle istruzioni operative e di manutenzione costituisce parte integrante della garanzia.

Questo manuale riflette gli sviluppi più recenti dei prodotti. Vermeiren si riserva il diritto di apportare modifiche senza preavviso, senza essere tenuta a sostituire o adattare modelli forniti in precedenza.

Per qualsiasi chiarimento, rivolgersi al rivenditore.

1 Descrizione del prodotto

1.1 Utilizzo previsto

Il letto modello Interval è stato espressamente concepito per il comfort del paziente e consente diverse possibilità di mobilità come di seguito precisato. Si consiglia di leggere attentamente le presenti istruzioni per acquisire familiarità con il veicolo.

Il letto ortopedico è progettato per un singolo paziente adulto di età superiore a 12 anni, fino al peso massimo paziente (vedi tabella 1))

Il letto deve essere utilizzato in abbinamento a un materasso idoneo (min. RG 35, spess. 120 mm, max. 20 kg)

Grazie alla concezione modulare il letto e' ideale per persone disabili,anziane.anche a domicilio.

Nella valutazione delle esigenze personali, le seguenti condizioni:

- corporatura e peso corporeo (150 kg max per Interval 90 cm, 240 kg max per Interval 120 cm, 240 kg max per Interval 140 cm)
- condizioni psico-fisiche
- abitazioni
- ambiente

devono essere prese in considerazione.

Il letto deve essere utilizzato come ambiente di applicazione di tipo 4 per ISO 60601-2-52: "assistenza fornita in ambito domestico tramite apparecchiature elettromedicali utilizzate per alleviare o trattare lesioni, disabilità o malattia."

Il letto deve essere utilizzato su una superficie piana, in modo che tutte quattro le ruote pivotanti siano ben salde al suolo.

Non utilizzare la letto come scala, né per trasportare oggetti pesanti o caldi.

Quando utilizzato su pavimenti con tappeti, moquette o rivestimenti, questi potrebbero venire danneggiati. Su questo tipo di superfici, lo spostamento del letto potrebbe inoltre risultare difficile (senza il paziente).

Utilizzare solo gli accessori approvati Vermeiren. Non è consentito abbinare il letto ad altri prodotti o dotazioni e ad altri apparecchi ad azionamento elettrico.

La casa costruttrice non può essere ritenuta responsabile per danni causati dalla mancanza di manutenzione adeguata o risultanti dal mancato rispetto delle istruzioni contenute nel presente manuale.

La conformità con le istruzioni operative e di manutenzione è parte integrante della garanzia.



1.2 Specifiche tecniche

(riferiti al letto completamente assemblato)

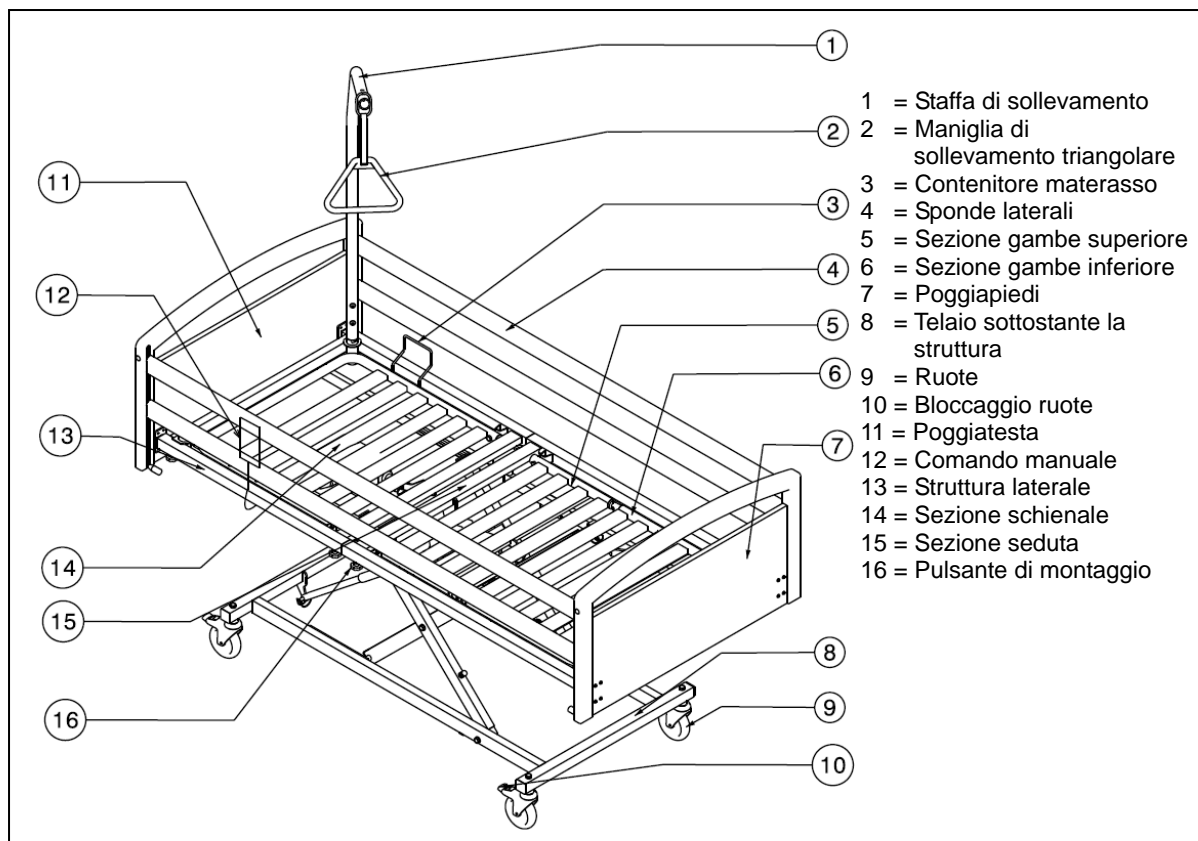
Produttore	Vermeiren			
Indirizzo	Vermeirenplein 1/15, B-2920 Kalmthout			
Tipo	Letto			
Modello	Interval, Interval 120 cm, Interval 140 cm			
Description	Interval 90 cm	Interval XXL		
		Interval 120 cm	Interval 140 cm	
Peso massimo paziente	Carico nominale 150 kg	Carico nominale 240 kg	Carico nominale 240 kg	
Lunghezza	2080 mm			
Larghezza	1030 mm	1330 mm	1530 mm	
Altezza (senza staffa di sollevamento)	840 mm - 1275 mm	860 mm - 1295 mm	860 mm - 1295 mm	
Altezza (con staffa di sollevamento)	1870 mm - 2305 mm	1900 mm - 2335 mm	1900 mm - 2335 mm	
Superficie d'appoggio regolabile in altezza	In continuo tra 370 - 805 mm (senza materasso)			
Massa totale (esclusi, barre laterali, asta solleva malati e triangolo)	106 kg	124	139 kg	
Regolazione dello schienale	70.5°			
Angolo massimo montante superiore	28.5°			
Angolo massimo montante inferiore	-20.5°			
Carico max di lavoro in condizioni di sicurezza *	185 kg	275 kg	275 kg	
Staffa di sollevamento	Carico nominale 80 kg			
Materasso	Min. RG 35, 120 mm spessore, 2000 x 900 mm, max. 20 kg	Min. RG 35, 120 mm spessore, 2000 x 1200 mm, max. 20 kg	Min. RG 35, 120 mm spessore, 2000 x 1400 mm, max. 20 kg	
Spazio libero per sollevatore paziente	145 mm			
Ruote pivottanti (n. 4)	Ø 125 mm, bloccabili			
Motore parte frontale	LA31.28-300-24-001, Linak			
Motore sezione posteriore (schienale)	LA31.2JB-100-24-301, Linak			
Motore sezione anteriore (gambe)	LA31.2J-100-24-301, Linak			
Comando manuale	HLW072-002, Linak (Interval tipo 1040) HLW073-005, Linak (Interval tipo 1042)	HLW073-005, Linak (Interval tipo 1042)	HLW073-005, Linak (Interval tipo 1042)	
Trasformatore	CB 09SO-3T-24, Linak			
Trasformatore tensione nominale	U in: 230 V~, ± 10%, 50 Hz, I in: max. 1.5 A, U out: 24V ---, max. 70 VA			
Durata di funzionamento	10%, max. 6 min/ora			
Rumorosità	< 65 dB(A)			
Classe / tipo di protezione	Classe di protezione II, Categoria d'impiego tipo B / IPX4 (protetta contro lo stillicidio)			
Temperatura di utilizzo e di conservazione	+ 5 °C	+ 41 °C		
Umidità di utilizzo e di conservazione	30%	70%		
Ci riserviamo il diritto di apportare modifiche tecniche. Tolleranza ± 15 mm / 1,5 kg / °				
* Carico max di lavoro in condizioni di sicurezza = peso massimo paziente + peso materasso + peso altri accessori				

Tabella 1: Specifiche tecniche

Il letto è conforme ai requisiti stabiliti dalle normative:

- EN 1970: Letti regolabili per disabili: Requisiti e metodi di prova
 EN 1970+ A1: Letti regolabili per disabili: Requisiti e test per prove
 EN 60601-2-38/A1: Apparecchi elettromedicali - Parte 2-38: Norme particolari di sicurezza di letti per ospedale azionati elettricamente

1.3 Componenti



1.4 Significato dei simboli

- Peso massimo
- CE conformità
- Indicazioni di sicurezza
- Attenersi alle istruzioni per l'uso
- Procedimento / modalità d'impiego corretti
- Procedimento / modalità d'impiego errati
- Classe di protezione II
- Categoria d'impiego Tipo B
- Modello

1.5 Accessori

⚠ AVVERTENZA: Se vengono utilizzati accessori non elencati di seguito, il paziente potrebbe essere esposto a rischi.

- Terza sponda di legno

1.6 Sicurezza

- ⚠ Prima dell'uso leggere attentamente le presenti istruzioni.
- ⚠ Collocare e utilizzare il letto su una superficie piana, in modo che tutt'e quattro le ruote pivotanti siano ben salde al suolo.
- ⚠ Verificare che nell'escursione di regolazione del letto non vi siano oggetti od altri impedimenti.
- ⚠ Se si tratta di paziente non assistito abbassare il letto al massimo per evitare che cada o si ferisca quando scende, sale o giace sul letto.
- ⚠ Inoltre le sponde laterali devono essere alzate al massimo. Per inclinare il letto su uno o due lati occorre la presenza di una persona che assista il paziente.
- ⚠ Durante il montaggio, lo smontaggio e l'uso attenti alle mani: pericolo di schiacciamenti.
- ⚠ Per trasportare il letto afferrarlo per la struttura fissa o una parte in legno.
- ⚠ Le quattro ruote pivotanti devono essere bloccate prima dell'uso.
- ⚠ È vietato l'uso di apparecchi elettromedicali nel letto.
- ⚠ Non appoggiarsi al letto: potrebbe ribaltarsi.
- ⚠ Evitare di sporgersi lateralmente col tronco: pericolo di cadute.
- ⚠ Non appoggiare i piedi su altri oggetti: pericolo di cadute.
- ⚠ Evitare che parti del corpo ed oggetti durante la regolazione finiscano tra cerniere, articolazioni ed altri elementi di presa: pericolo di schiacciamento.
- ⚠ Durante la regolazione dei piedi o dello schienale non infilare le mani tra struttura e materasso: pericolo di schiacciamento.
- ⚠ Utilizzare presa e spina a norme VDE (220V/230V, 50 Hz).
- ⚠ Collegare la spina di alimentazione alla presa e non direttamente alla linea.
- ⚠ Dopo l'utilizzo, bloccare il funzionamento manuale con l'apposita chiave sul telecomando.
- ⚠ Utilizzare il letto solo in ambienti asciutti.
- ⚠ Utilizzare esclusivamente materassi che soddisfano i requisiti della casa costruttrice del letto.
- ⚠ In caso di deformazione del bastone per alzarsi dal letto sostituirlo.
- ⚠ Le sponde devono essere montate anche se il letto è posto contro il muro.
- ⚠ Non effettuare riparazioni da soli: rischio di incidente.
- ⚠ Non aprire l'involucro del sistema d'azionamento: rischio di incidente.
- ⚠ Il trasporto del paziente è ammesso solo col letto completamente abbassato e orizzontale.
- ⚠ Verificare che i cavi non siano piegati, non presentino tagli o altri danni di tipo meccanico.
- ⚠ Inoltre i cavi devono essere disposti in modo da evitare che vadano a contatto col corpo o restino schiacciati.
- ⚠ È vietato l'uso e il collegamento di apparecchi elettrici.
- ⚠ Le operazioni di manutenzione, controllo, revisione e disinfezione devono essere eseguite da personale autorizzato e competente.
- ⚠ Utilizzare solo ricambi originali.
- ⚠ Non caricare il letto oltre il limite ammesso (max 140 kg).
- ⚠ Nel letto è vietato l'uso di fiamme libere e oggetti combustibili (candele, sigarette etc.)
- ⚠ Sostituire le sponde laterali se sono piegate o rotte, altrimenti sussiste il rischio di caduta dal letto.

- ⚠ L'uso del letto può disturbare altre apparecchiature elettriche (interferenze). Non usare il letto assieme ad altre apparecchiature.
- ⚠ Rispettare le istruzioni di sicurezza e d'uso.
- ⚠ Il letto azionato elettricamente è posizionato a distanza dalla presa di alimentazione.
- ⚠ Il letto ortopedico deve essere utilizzato con un sollevatore paziente posizionabile entro i limiti dello spazio sottostante il letto.

2 Utilizzo

In questo capitolo viene descritto l'utilizzo quotidiano. **Le presenti istruzioni sono destinate all'utente e al rivenditore.**

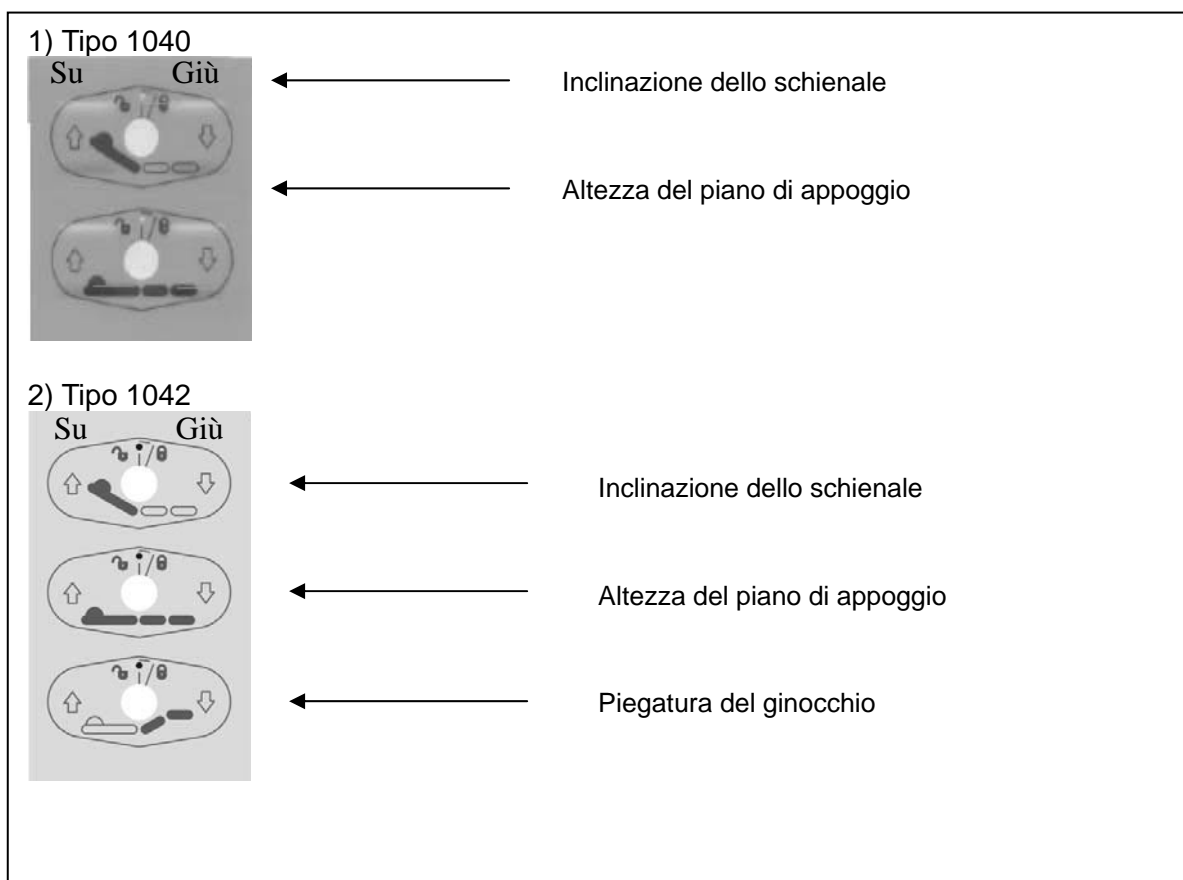
La letto viene fornita completamente assemblata dal rivenditore. Le istruzioni destinate al rivenditore, relative alla configurazione della letto sono descritte nel § 3.

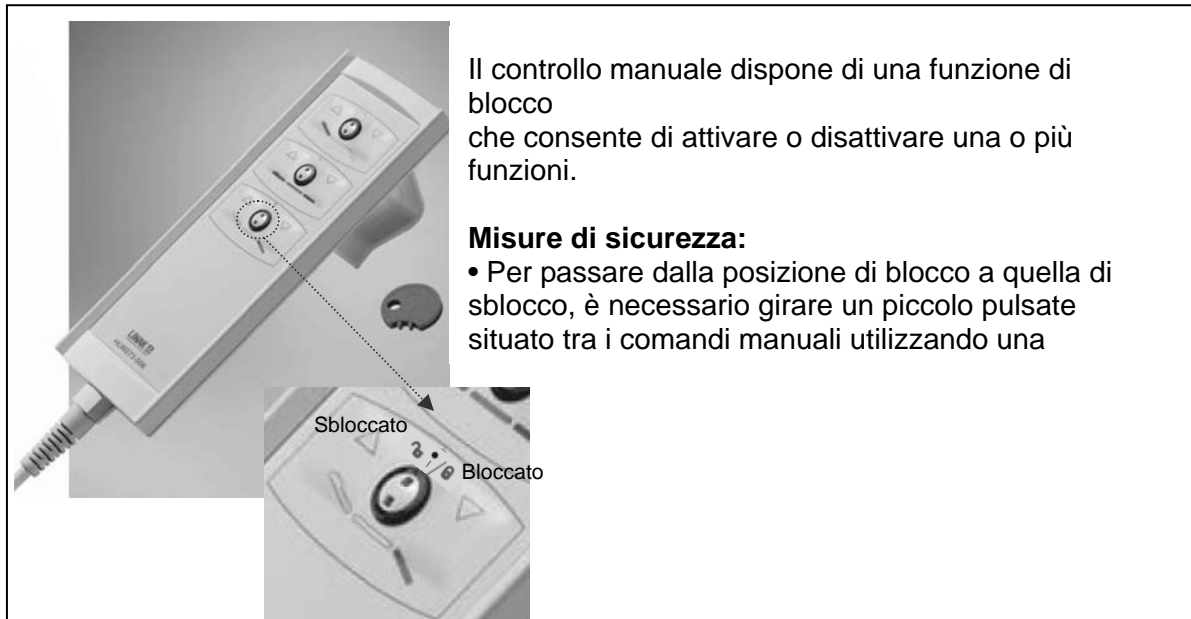
- ⚠ **AVVERTENZA: Rischio corto circuito: assicurarsi che i cavi non siano schiacciati o rovinati.**
- ⚠ **AVVERTENZA: Il letto ortopedico deve essere utilizzato con un sollevatore paziente posizionabile entro i limiti dello spazio sottostante il letto.**

2.1 Comando manuale con funzione di blocco

L'altezza del piano d'appoggio, l'inclinazione dello schienale e la piegatura del ginocchio sono regolabili mediante il comando manuale. Dopo l'utilizzo fissare il telecomando alla barra laterale.

Sono possibili le seguenti regolazioni:



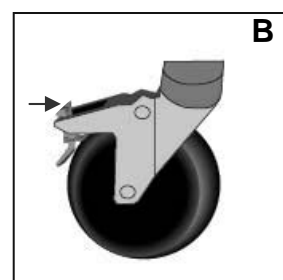
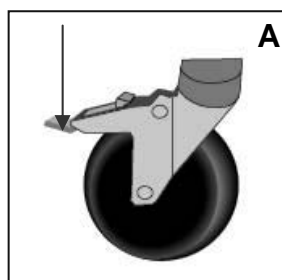


2.2 Utilizzo dei freni

- ⚠ **AVVERTENZA:** Sull'adeguato funzionamento delle ruote pivotanti incide l'usura e la mancanza di pulizia degli pneumatici (presenza di acqua, olio o altro) – Verificare le condizioni degli pneumatici prima di ciascun utilizzo.
- ⚠ **AVVERTENZA:** Le ruote pivotanti possono usurarsi – Controllare il funzionamento delle ruote pivotanti prima di ciascun utilizzo.
- ⚠ **AVVERTENZA:** Pericolo d'incidenti – Bloccare le quattro ruote con il freno. Attenzione se viene fatto solo su una ruota il letto si potrebbe muovere.

Per evitare spostamenti involontari, tutte le ruote pivotanti sono bloccabili.

- **Bloccaggio (A)**
Spingere a fondo verso il basso la leva di bloccaggio.
- **Sbloccaggio (B)**
Sollevare completamente verso l'alto la leva di bloccaggio.

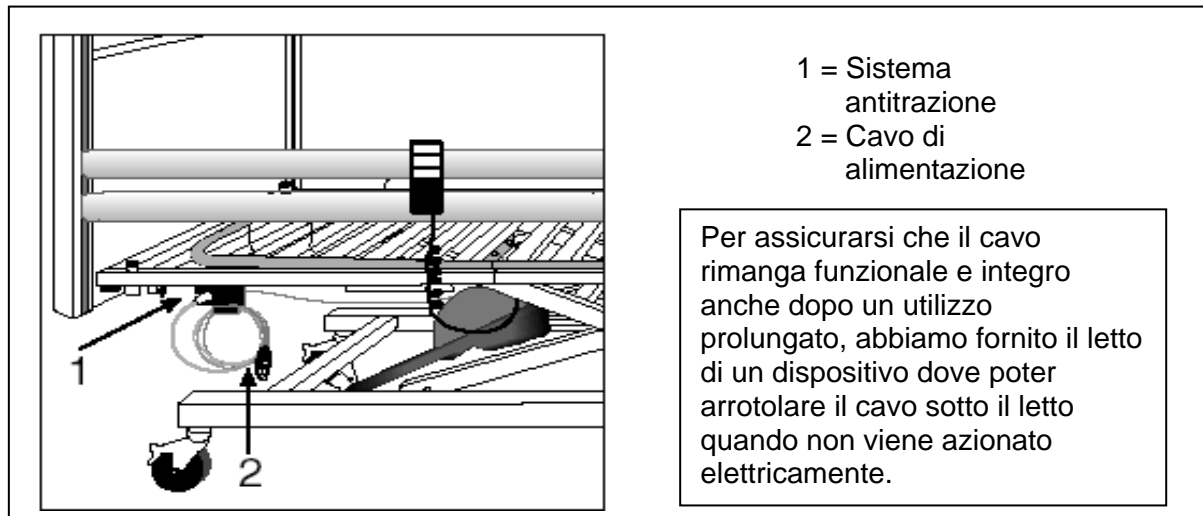


2.3 Sistema antitrazione

- ⚠ **AVVERTENZA:** Non rimuovere il sistema antitrazione.
- ⚠ **AVVERTENZA:** Non posare o agganciare oggetti sul sistema antitrazione.
- ⚠ **AVVERTENZA:** Agganciare il cavo in modo che non vi siano piegature, trazioni e contatti col suolo.

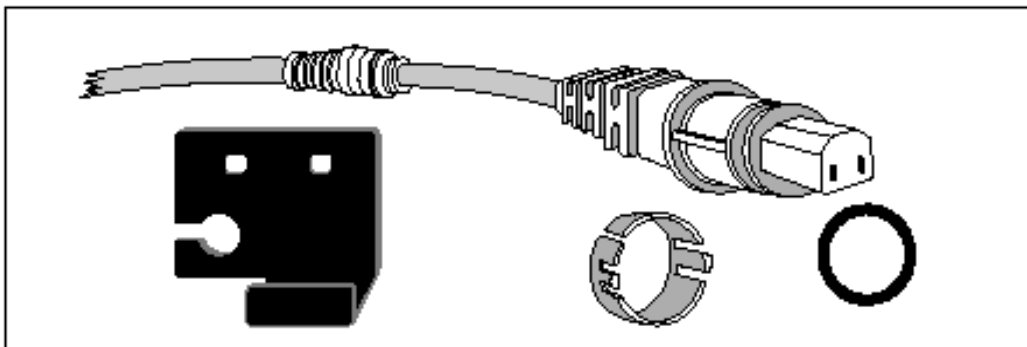
Per la sicurezza del paziente il cavo di alimentazione è dotato di un sistema antitrazione che impedisce che la spina venga scollegata dal trasformatore con conseguente rottura del cavo e perdita della protezione antistillicidio.

Al tempo stesso viene garantito che il cavo di alimentazione non finisca sotto al letto, con il rischio di danneggiamento. Il sistema antitrazione è già installato al momento della consegna.



2.4 Cavo di alimentazione

Per assicurarsi che il cavo rimanga funzionale e integro anche dopo un utilizzo prolungato, abbiamo fornito il letto di un dispositivo dove poter arrotolare il cavo sotto il letto quando non viene azionato elettricamente.

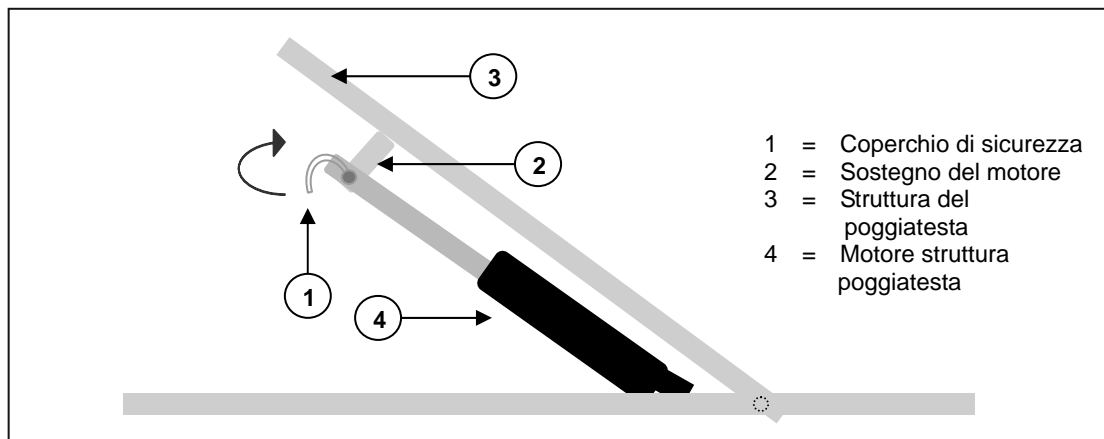


2.5 Alzatesta a funzionamento manuale d'emergenza

- ⚠ **AVVERTENZA:** Rischio di lesioni - Verificare che oggetti o parti del corpo non rimangano schiacciati tra il poggiatesta e il telaio.
- ⚠ **AVVERTENZA:** Rischio di lesioni - L'operazione dev'essere eseguita da almeno due persone.

L'alzatesta può essere abbassato manualmente in caso di mancato funzionamento del motore.

- Procedura:**
1. Assicurarsi bene del fissaggio della rete nella parte "testa".
 2. Una seconda persona può togliere il perno di sospensione, sbloccandolo dal supporto motore.
 3. Ribassare la parte testa con cautela.

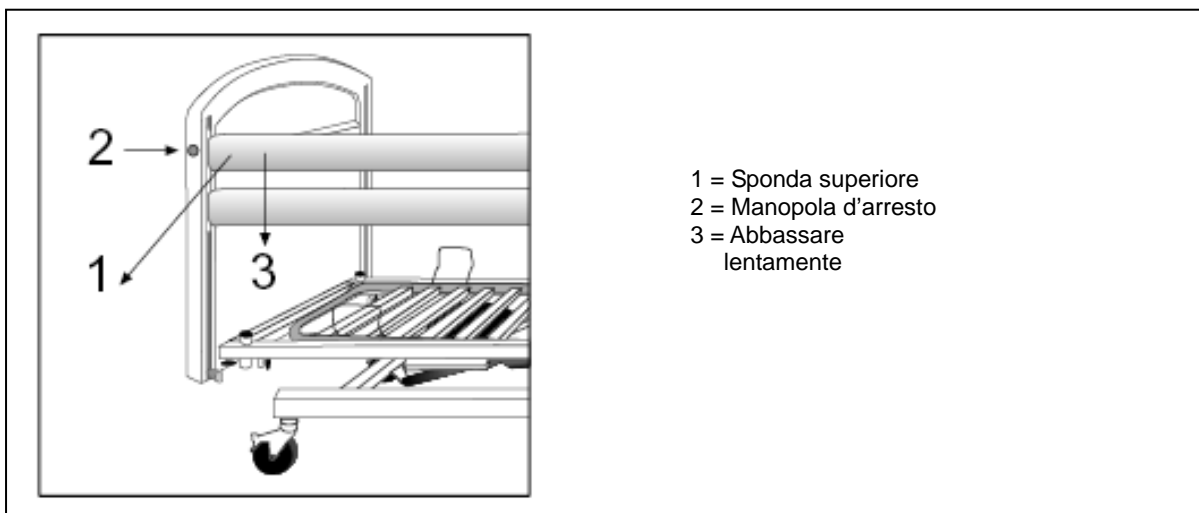


2.6 Sponde di contenimento

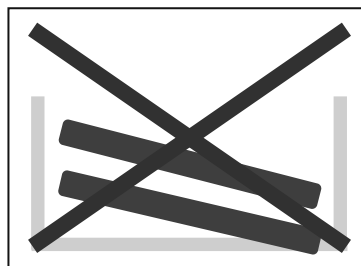
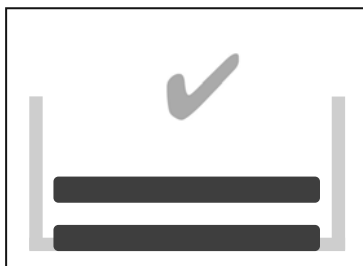
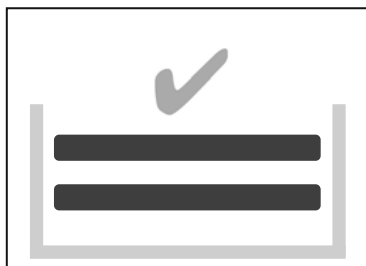
Le sponde di contenimento possono essere abbassate da un sol lato.

- **Abbassamento**

- ⚠ **AVVERTENZA: Rischio di lesioni - Fissare bene le sponde di contenimento per evitare il rischio di cadute accidentali.**
- ⚠ **AVVERTENZA: Rischio di lesioni - Verificare che oggetti o parti del corpo non sporgano dalla superficie di appoggio.**
- ⚠ **AVVERTENZA: Rischio di lesioni - Non abbassare le sponde di contenimento da un lato se il paziente non è assistito.**
 1. Sollevare leggermente la sponda superiore.
 2. Premere il pomello 2 nella testiera /pediera laterale
 3. Abbassare lentamente la sponda. (Afferrare solo e sempre la stecca di legno superiore.)

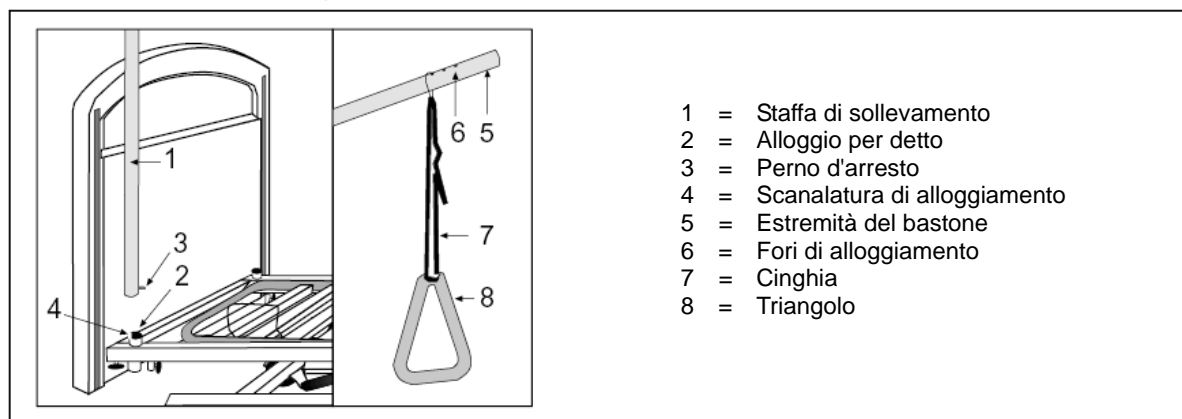


Assicurarsi che le funzioni delle sponde laterali non siano ostacolate, per esempio da agganci di cinture di sicurezza.



2.7 Staffa di sollevamento

Il staffa di sollevamento può essere installato su ambo i lati della testiera.



- Inserire il staffa di sollevamento (1) fino a battuta in uno degli alloggiamenti (2).
- Far scorrere i perni d'arresto (3) nell'apposita scanalatura (4).
- Tirare l'anello metallico sopra l'estremità superiore del telaio (5), fino a quando il perno non entra in uno dei tre fori (6).
- Infilare la cinghia (7) nell'anello metallico tramite il triangolo (8) e regolare la lunghezza. Bloccare la cinghia.

2.8 Trasferire il letto all'interno e all'esterno

⚠ ATTENZIONE: Rischio di caduta - Nel caso in cui non si riesca a eseguire il trasferimento in modo sicuro, chiedere assistenza.

1. Avvicinarsi al letto il più possibile.
2. Verificare che i freni del letto siano attivati.
3. Rimuovere o ripiegare le sponde di contenimento del letto.
4. Effettuare il trasferimento da/verso il letto.

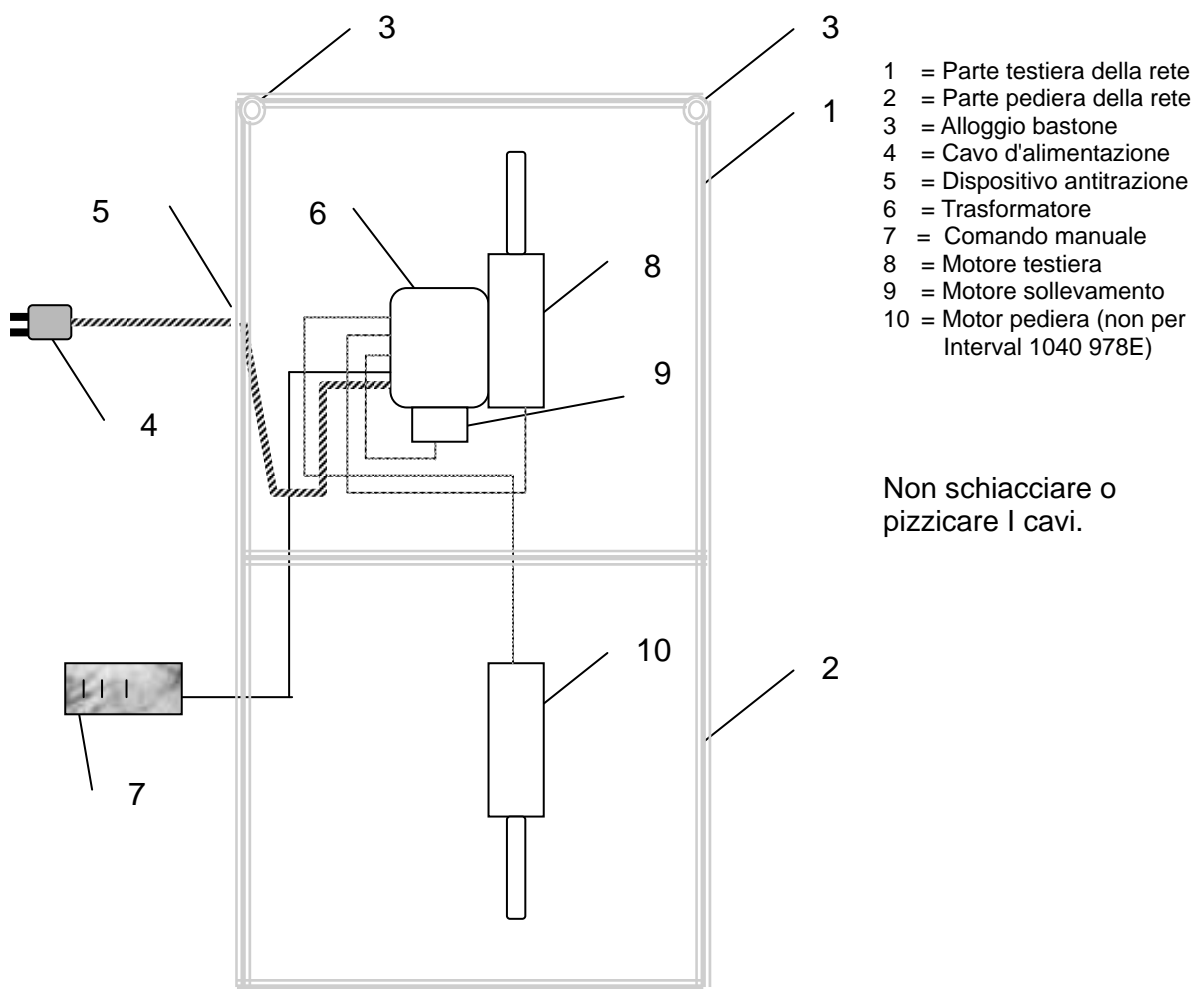
2.9 Transport

⚠ AVVERTENZA: Rischio di lesioni – Verificare che il letto sia ancorato adeguatamente durante il trasporto.

⚠ AVVERTENZA: Rischio di lesioni – Lo spostamento e/o il trasferimento del letto deve avvenire senza paziente.

Per evitare danni durante il trasporto smontare il bastone per alzarsi prima di trasportare il letto. Scollegare il cavo di alimentazione e verificare che non vi siano cablaggi pendenti nelle vicinanze del pavimento.

2.10 Cablaggio



3 Installazione e regolazione

Le istruzioni contenute nel presente capitolo sono destinate al rivenditore.

Per ricercare un centro assistenza o un rivenditore specializzato nelle vicinanze, contattare il più vicino centro Vermeiren. Nell'ultima pagina è presente una lista dei centri Vermeiren.

⚠ AVVERTENZA: Pericolo di limiti non sicuri. Utilizzare solo i limiti descritti nel presente manuale.

3.1 Attrezzi

Per montare il letto sono necessari gli attrezzi seguenti:

- Chiave a brugola
- Cacciavite

3.2 Modalità di consegna

La letto Vermeiren Luna può essere distribuita con:

1) Interval tipo 1040 90 cm

- Struttura completa di articolazioni (972) Approx. 30 kg
- Rete a doghe, pediera (978E) Approx. 25 kg
- Rete a doghe, testiera incl. trasformatore e motore (978E) Approx. 25 kg
- Cornice in legno (testiera e pediera) (965) Approx. 26 kg
- Sponde laterali (2 x 2 stecche di legno) (969) circa 11 kg
- Cavalletto + maniglia (968) circa 7 kg
- Comando manuale (con 978E)
- Chiave a brugola (montaggio) (con 965)
- Istruzioni per l'uso

2) Interval tipo 1042 90 cm

- Struttura completa di articolazioni (972) Approx. 30 kg
- Rete a doghe, pediera incl. motore (977E) Approx. 28 kg
- Rete a doghe, testiera incl. trasformatore e motore (977E) Approx. 25 kg
- Cornice in legno (testiera e pediera) (965) Approx. 26 kg
- Sponde laterali (2 x 2 stecche di legno) (969) circa 11 kg
- Cavalletto + maniglia (968) circa 7 kg
- Comando manuale (con 977E)
- Chiave a brugola (montaggio) (con 965)
- Istruzioni per l'uso

3) Interval tipo 1042 120 cm

- Struttura completa di articolazioni (972) Approx. 35 kg
- Rete a doghe, pediera incl. motore (977E) Approx. 33 kg
- Rete a doghe, testiera incl. trasformatore e motore (977E) Approx. 30 kg
- Cornice in legno (testiera e pediera) (965) Approx. 26 kg
- Sponde laterali (2 x 2 stecche di legno) (969) circa 11 kg
- Cavalletto + maniglia (968) circa 7 kg
- Comando manuale (con 977E)
- Chiave a brugola (montaggio) (con 965)
- Istruzioni per l'uso

4) Interval tipo 1042 140 cm

- Struttura completa di articolazioni (972) circa 40 kg
- Rete a doghe, pediera incl. motore (977E) circa 38 kg
- Rete a doghe, testiera incl. trasformatore e motore (977E) circa 35 kg
- Cornice in legno (testiera e pediera) (965) circa 26 kg
- Sponde laterali (2 x 2 stecche di legno) (969) circa 11 kg
- Cavalletto + maniglia (968) circa 7 kg
- Comando manuale (con 977E)
- Chiave a brugola (montaggio) (con 965)
- Istruzioni per l'uso

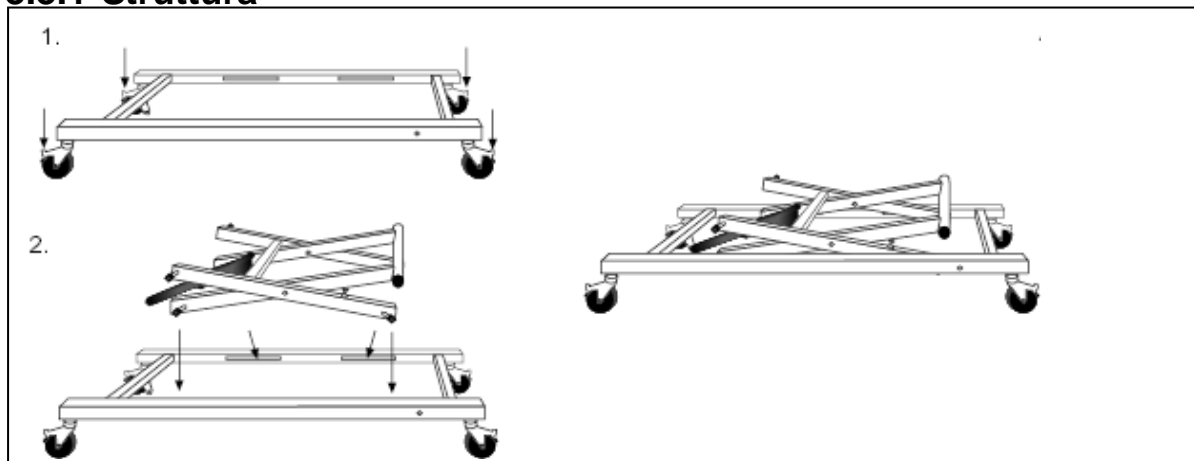
Il letto può essere utilizzato esclusivamente con gli accessori in dotazione. Se alcuni componenti vengono tolti o abbinati a dotazioni, componenti e sistemi elettrici di terzi il letto non si considera più di fornitura della casa costruttrice, e può esporre il paziente a rischi. Inoltre vengono meno la conformità CE e la responsabilità del costruttore.

3.3 Montaggio

- ⚠ **ATTENZIONE:** Rischio di schiacciamento - Prestare attenzione a non mettere le dita tra i componenti del letto.
- ⚠ **ATTENZIONE:** Rischio di schiacciamento - Tenere le dita lontano dalle parti mobili del letto.

Per il montaggio del letto attenersi alle seguenti istruzioni.

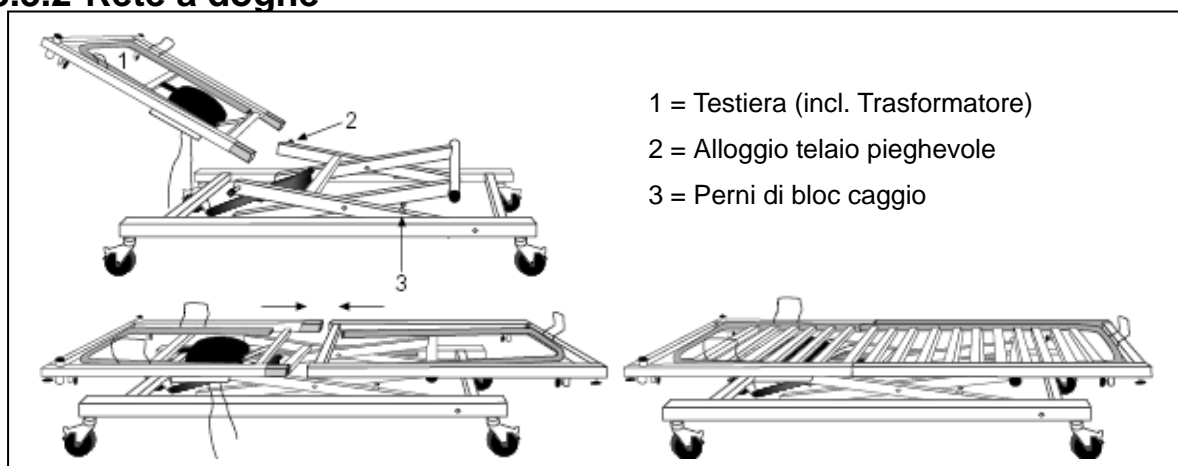
3.3.1 Struttura



1. Collocare il telaio con le ruote pivotanti su una superficie liscia e piana e bloccare le ruote spingendo i fermi con i piedi (vedere anche capitolo "Ruote pivotanti").
2. Inserire il telaio pieghevole negli appositi alloggiamenti fino all'aggancio dei perni di bloccaggio.

Proteggere contro gli schiacciamenti il cablaggio di alimentazione motore.

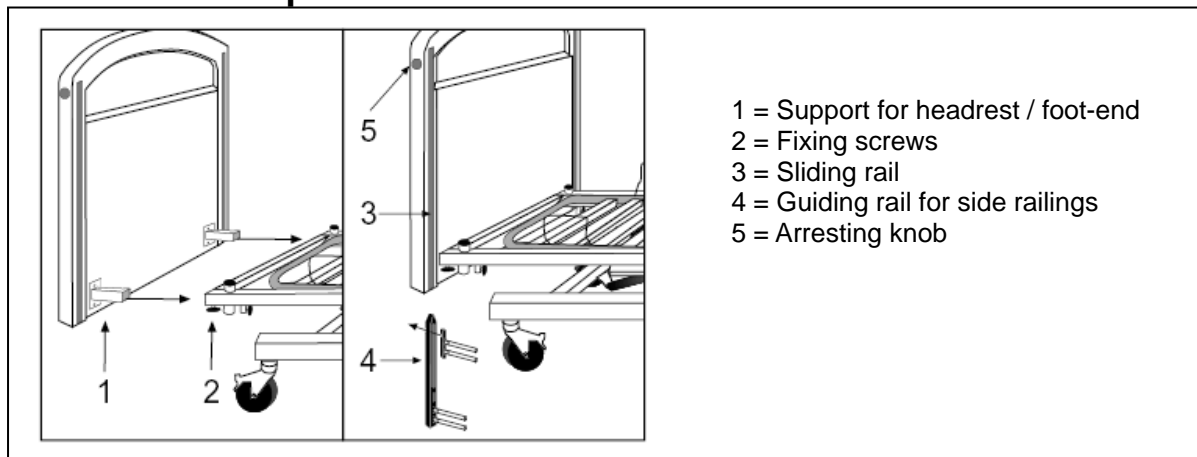
3.3.2 Rete a doghe



1. Collocare la testiera (incl. trasformatore) negli alloggi (neri) del telaio pieghevole. I perni di bloccaggio della rete a doghe hanno una funzione di sicurezza.
2. Tirare la pediera con la guida di scorrimento da dietro sopra i rulli del telaio pieghevole.
3. Innestare i tubolari di collegamento e bloccarli con le apposite viti su ambo i lati.
4. Appoggiare le doghe sulle guide e premerle leggermente.

Proteggere contro gli schiacciamenti il cablaggio di alimentazione motore.

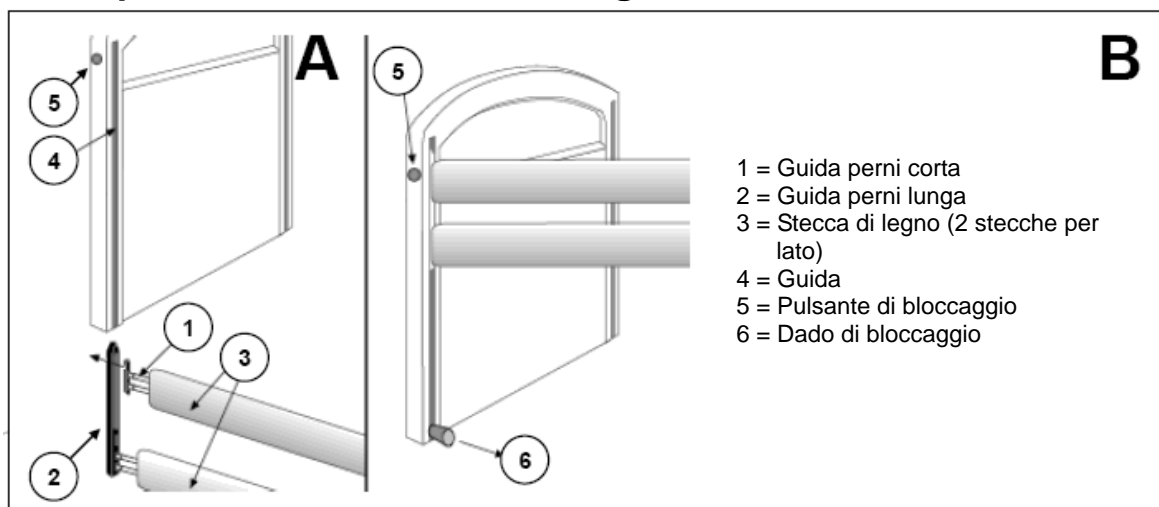
3.3.3 Testiera e pediera



- 1 = Support for headrest / foot-end
- 2 = Fixing screws
- 3 = Sliding rail
- 4 = Guiding rail for side railings
- 5 = Arresting knob

1. Montare i supporti della testiera e della pediera con le viti e le rondelle (premontaggio).
2. Inserire le estremità il legno negli alloggi del tubolare d'estremità della rete a doghe e bloccare con le apposite viti.
3. Infilare le guide di scorrimento delle sponde con il lato appuntito verso l'alto nelle guide di scorrimento della testiera e della pediera, fino a quando non si bloccano nella parte superiore della testiera/pediera.

3.3.4 Sponde di contenimento in legno



- A.** Inserire la guida perni corta (1) a destra e a sinistra nella stecca di legno superiore. Inserire la guida perni lunga (2) a destra e a sinistra nella stecca di legno inferiore.

Inserire la guida perni lunga (2) nella stecca rispettivamente nelle guide di scorrimento della testiera e della pediera una alla volta e bloccarle portando la guida fino all'estremità superiore fino a ottenerne l'aggancio con uno scatto. Rilasciare su un lato questa guida fino alla punta premendo il pulsante di bloccaggio (5) e tirando verso l'alto la stecca di legno con delicatezza.

Fare scorrere le guide perni (2) ancora una volta nell'alloggiamento finché la punta della guida si trova al limite dell'alloggiamento. A questo punto la guida perni corta (1) va inserita con la stecca di legno con i bordi della guida perni lunga e l'intero sistema di guide perni (1) + (2) va inserito nelle rispettive guide di scorrimento (4) tirando verso l'alto quando si afferra solo la stecca di legno superiore e quindi bloccando il sistema in posizione.

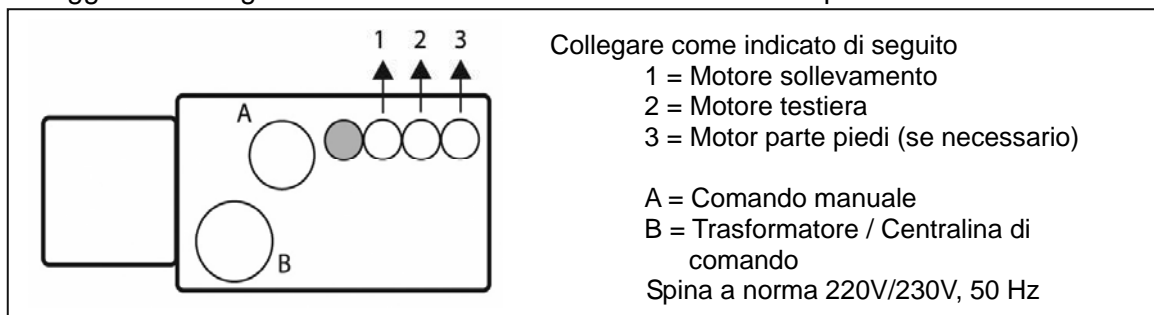
- B.** Inserire e bloccare manualmente i dadi di bloccaggio (6).

3.3.5 Collegamenti

- ⚠ **AVVERTENZA: Rischio di lesioni - Non toccare la spina con le mani umide.**
- ⚠ **AVVERTENZA: Rischio di lesioni - Non interporre nulla tra collegamento e cavo e proteggere contro i carichi meccanici.**

1. Per l'alimentazione utilizzare una spina a norma VDE a 220V/230V, 50Hz.
2. L'illustrazione seguente mostra lo schema dei collegamenti per il trasformatore:

Collegare il cavo di alimentazione alla spina e inserirlo nella presa.
Disporre il cavo di alimentazione senza anse e pieghe e non sopra a spigoli vivi.
Proteggere contro gli schiacciamenti il cavo di alimentazione e quello del comando manuale.



4 Manutenzione

Per il manuale di manutenzione della letto consultate il sito web Vermeiren:
www.vermeiren.it.



Índice

ES

Introducción.....	2
1 Descripción del producto	3
1.1 Uso previsto.....	3
1.2 Especificaciones técnicas	4
1.3 Componentes.....	5
1.4 Explicación de los símbolos	5
1.5 Accesorios	6
1.6 Por su seguridad	6
2 Uso.....	7
2.1 Control manual con función de bloqueo	7
2.2 Uso de las ruedas de dirección	8
2.3 Sujetacables	8
2.4 Cable de alimentación	9
2.5 Bajada de emergencia del cabecero.....	9
2.6 Raíles laterales.....	10
2.7 Incorporador	11
2.8 Traslado a la cama y desde esta.....	11
2.9 Transporte.....	11
2.10 Cableado.....	12
3 Instalación y ajuste	12
3.1 Herramientas	12
3.2 Forma de suministro.....	13
3.3 Montaje.....	14
4 Mantenimiento	16



ES

Introducción

En primer lugar, nos gustaría agradecerle que haya confiado en nosotros y haya escogido uno de nuestros productos.

Las camas Vermeiren son el resultado de muchos años de experiencia e investigación. Durante su desarrollo, hemos puesto especial atención en crear una cama práctica y fácil de usar.

La vida útil de su cama dependerá en gran medida de los cuidados y el mantenimiento que le dedique.

Este manual le permitirá familiarizarse con el funcionamiento de su cama.

El seguimiento de las instrucciones para el usuario y de las instrucciones de mantenimiento es parte indispensable de la garantía.

Este manual incluye las mejoras de producto más recientes. Vermeiren se reserva el derecho de introducir cambios sin tener ninguna obligación de adaptar o sustituir los modelos entregados previamente.

Si tiene más preguntas, le rogamos que consulte a su distribuidor especializado.

1 Descripción del producto

1.1 *Uso previsto*

Con el modelo Interval, ha adquirido una cama desarrollada íntegramente para su comodidad. Esta cama ofrece varias posibilidades de ajuste individuales que se explican a continuación.

La cama está pensada para un paciente adulto (a partir de los 12 años, hasta el peso máximo de usuario (véase el cuadro 1)).

Debe utilizarse con un colchón adecuado (RG35 como mínimo, de 120 mm de grosor y 20 kg como máximo).

La cama está indicada para personas discapacitadas, personas mayores o para personas que están haciendo rehabilitación en el hogar.

En cada caso particular, también se debe tener en cuenta lo siguiente:

- la envergadura y el peso (máx. 150kg de Interval 90 cm, máx. 240 kg de Interval 120 cm, máx. 240 kg de Interval 140 cm)
- estado físico y psicológico
- características de la vivienda
- entorno

La cama es apta para el entorno de aplicación 4 del ISO 60601-2-52: "cuidados en una zona doméstica donde se utiliza equipo médico para aliviar o compensar una lesión, una discapacidad o una enfermedad".

La cama solo debe emplearse sobre superficies en las que las cuatro ruedas estén en contacto con el suelo.

La cama no debe usarse como escalera, ni tampoco como medio de transporte para objetos pesados o calientes.

Cuando se sitúa sobre alfombras, suelos enmoquetados o revestimientos de suelo sueltos, estos pueden sufrir daños y, además, será más difícil trasladar la cama (¡sin paciente!).

Utilice solo accesorios Vermeiren aprobados. No se permite combinar la cama con otros productos o equipamiento u otros aparatos eléctricos.

El fabricante no asumirá responsabilidad alguna por los daños causados por la falta de mantenimiento, por un mantenimiento inadecuado o si no se siguen las instrucciones indicadas en este manual.

El cumplimiento de las instrucciones del usuario y de mantenimiento es parte indispensable de la garantía.



1.2 Especificaciones técnicas

(de la cama completamente montada)

Fabricante	Vermeiren			
Dirección	Vermeirenplein 1/15, B-2920 Kalmthout			
Tipo	Cama			
Modelo	Interval, Interval 120 cm, Interval 140 cm			
Descripción	Interval 90 cm	Interval XXL		
		Interval 120 cm	Interval 140 cm	
Peso máximo del ocupante	Carga nominal 150 kg	Carga nominal 240 kg	Carga nominal 240 kg	
Longitud	2080 mm			
Anchura	1030 mm	1330 mm	1530 mm	
Altura (sin poste de elevación)	840 mm - 1275 mm	860 mm - 1295 mm	860 mm - 1295 mm	
Altura (con poste de elevación)	1870 mm - 2305 mm	1900 mm - 2335 mm	1900 mm - 2335 mm	
Ajuste de la altura de la superficie de la cama	continuo de 370 a 805 mm (sin colchón)			
Peso total (excl. raíles laterales, incorporador y triángulo)	106 kg	124 kg	139 kg	
Ajuste de la sección del respaldo	70,5°			
Máximo ángulo en el muslo	28,5°			
Máximo ángulo en la parte inferior de la pierna	-20,5°			
Carga máx. segura *	185 kg	275 kg	275 kg	
Incorporador	Carga nominal 80 kg			
Colchón	Mín. RG 35, grosor 120 mm, 2000 x 900 mm, máx. 20 kg	Mín. RG 35, grosor 120 mm, 2000 x 1200 mm, máx. 20 kg	Mín. RG 35, grosor 120 mm, 2000 x 1400 mm, máx. 20 kg	
Espacio libre para el elevador del paciente	145 mm			
Ruedecillas de dirección (4 unidades)	Ø 125 mm, se pueden bloquear			
Parte delantera del motor	LA31.28-300-24-001, Linak			
Motor de la sección del respaldo	LA31.2JB-100-24-301, Linak			
Motor de la sección de las patas	LA31.2J-100-24-301, Linak			
Manejo manual	HLW072-002, Linak (Interval tipo 1040) HLW073-005, Linak (Interval tipo 1042)	HLW073-005, Linak (Interval tipo 1042)	HLW073-005, Linak (Interval tipo 1042)	
Transformador	CB 09SO-3T-24, Linak			
Tensión nominal, transformador	U entrada: 230 V~, ± 10%, 50 Hz, corriente más. 1.5 A, voltaje de salida: 24V $\overline{\text{---}}$, máx. 70 VA			
Período de encendido	10%, máx. 6 min/hora			
Nivel de ruido	< 65 dB (A)			
Clase de protección	Clase de protección II, aplicación tipo B / IPX4 (protección contra salpicaduras)			
Temperatura de almacenamiento y de uso	+5 °C		+ 41 °C	
Humedad de almacenamiento y de uso	30%		70%	
Nos reservamos el derecho a aplicar modificaciones técnicas. Tolerancia de las medidas ± 15 mm / 1,5 kg / ° * Carga máx. segura= peso del usuario + peso colchón + peso otros accesorios				

Tabla 1: Especificaciones técnicas

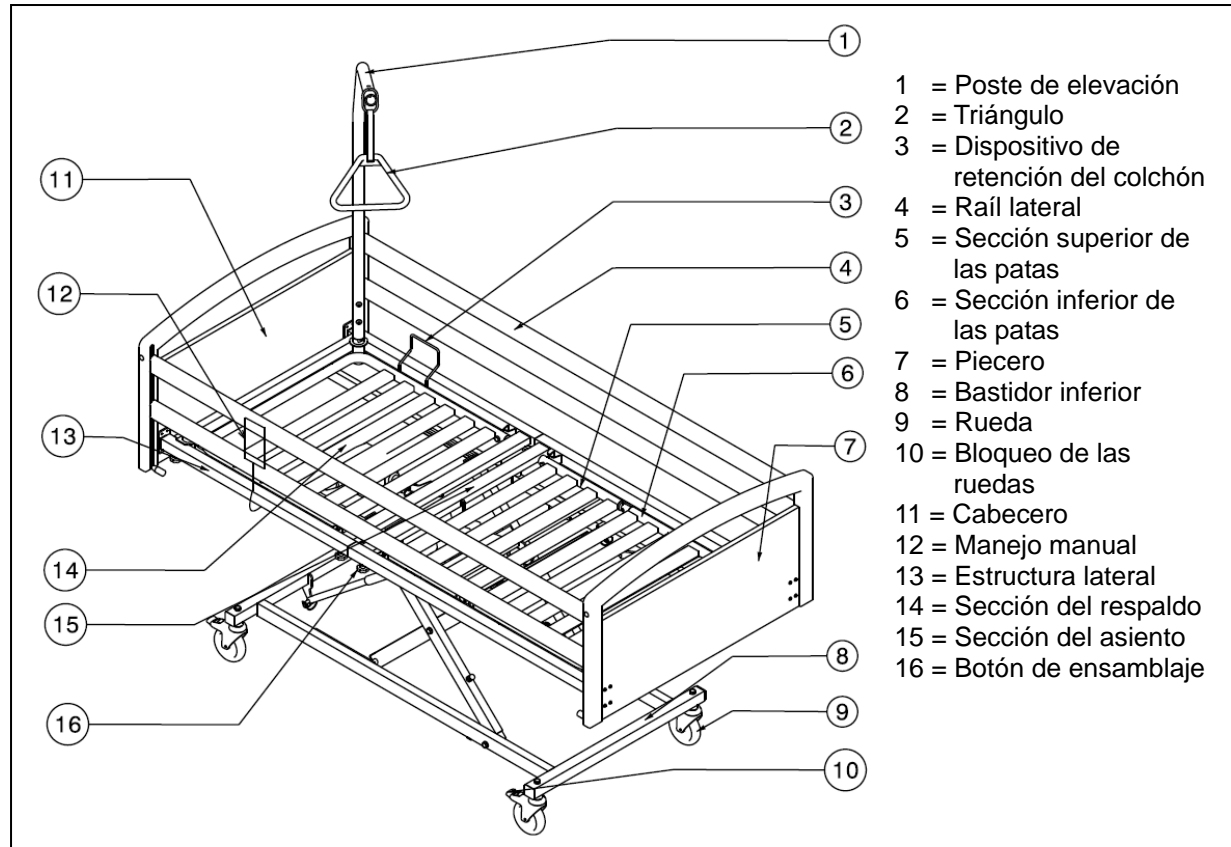
La cama cumple las siguientes especificaciones:

EN 1970: Camas ajustables para personas con discapacidad: Requisitos y métodos de ensayo

EN 1970+ A1: Camas ajustables para personas con discapacidad: Requisitos y métodos de ensayo

EN 60601-2-38/A1: Equipos electromédicos - Parte 2-38: Requisitos particulares de seguridad para las camas de hospital electromecánicas

1.3 Componentes



1.4 Explicación de los símbolos

- Peso máximo
- Conformidad con la normativa CE
- Instrucciones de seguridad
- Observe las instrucciones de uso
- El procedimiento o método de uso correcto
- Procedimiento o método de uso incorrecto
- Clase de protección II
- Aplicación de tipo B
- Designación de tipo

1.5 Accesorios

⚠ **ADVERTENCIA: Deben tomarse precauciones si se utilizan accesorios distintos a los siguientes.**

- Mesilla de noche

1.6 Por su seguridad

- ⚠ Lea atentamente el manual de instrucciones antes de usar la cama.
- ⚠ Instale y use su cama únicamente sobre superficies llanas y lisas y asegúrese de que las cuatro ruedecillas de dirección estén firmemente colocadas sobre el suelo.
- ⚠ Una vez colocada la cama en su posición, asegúrese de que no haya obstáculos en toda el área de ajuste.
- ⚠ Si el paciente no está bajo supervisión, la cama se debe ajustar previamente a la posición más baja para reducir el riesgo de lesiones por caída al subir o bajar de la cama o al estar tumbado en ella.
- ⚠ Si el paciente no está bajo supervisión, los raíles laterales de ambos lados se deben ajustar a la posición más alta. Los raíles solo se pueden bajar de un lado o de ambos lados en presencia de un supervisor.
- ⚠ Cuidado con las manos al montar, desmontar o usar la cama- ¡peligro de aplastamiento!
- ⚠ Al transportar la cama, sujétela únicamente por las partes sólidas del bastidor y por las piezas de madera.
- ⚠ Las cuatro ruedas de dirección deben estar siempre bloqueadas antes de usar la cama.
- ⚠ Se prohíbe la aplicación de tratamientos médicos con electricidad en la cama.
- ⚠ No se apoye en los raíles laterales – ¡Riesgo de accidente!
- ⚠ Evite apoyarse lateralmente con la parte superior del cuerpo – ¡Riesgo de accidente!
- ⚠ No apoye las piernas sobre otros objetos - ¡Riesgo de accidente!
- ⚠ Al ajustar las bisagras, las juntas u otros sistemas de sujeción, asegúrese de que no haya en ellos partes del cuerpo u otros objetos - ¡Riesgo de aplastamiento!
- ⚠ No coloque las manos entre el bastidor y el colchón al ajustar las piernas o los respaldos - ¡peligro de aplastamiento!
- ⚠ Use únicamente tomas de corriente en cumplimiento de VDE (220 V / 230 V, 50 Hz) para enchufar.
- ⚠ Para desconectar los enchufes, tire del propio enchufe, nunca del cable.
- ⚠ Bloquee función manual con la función de bloqueo del control manual después de cada uso.
- ⚠ La cama sólo se debe usar en estancias no húmedas.
- ⚠ Use únicamente colchones que cumplan las normas del fabricante de la cama.
- ⚠ Si el incorporador está dañado, debe cambiarlo.
- ⚠ Los raíles laterales se deben colocar incluso si el lado en cuestión está situado contra la pared.
- ⚠ No realice reparaciones por su cuenta - ¡Riesgo de accidente!
- ⚠ No abra las carcasas del sistema de traslado - ¡Riesgo de accidente!
- ⚠ El transporte de la cama debe hacerse sin el paciente.
- ⚠ Asegúrese de que todos los cables de corriente estén tendidos sin pliegues, roturas ni otros daños mecánicos.
- ⚠ Todos los cables se deben tender sin contacto con el suelo y sin pliegues.
- ⚠ No se pueden usar ni instalar aparatos mecánicos o eléctricos adicionales.
- ⚠ Las labores de mantenimiento, inspección, reparación y desinfección se encomendarán únicamente a personas autorizadas con la debida formación.
- ⚠ Use únicamente repuestos originales del fabricante para su cama.
- ⚠ No sobrepase la carga máxima que indica el fabricante.

- ⚠ Est  prohibido el uso de fuego abierto, como velas o de objetos incandescentes, como cigarrillos, dentro de la cama.
- ⚠ Sustituya los ra les laterales si est n doblados o rotos ya que, de lo contrario, existe el peligro de que el paciente se caiga de la cama.
- ⚠ El uso de la cama puede afectar a otros aparatos el ctricos (ruidos). Evite el uso simult neo de esos aparatos.
- ⚠ Cumpla todas las instrucciones de uso y seguridad.
- ⚠ Coloque la cama el ctrica a cierta distancia de la toma de corriente.
- ⚠ La cama solo debe utilizarse con un elevador que pueda colocarse bajo el espacio limitado del que dispone.

2 Uso

Este cap tulo describe el uso diario. **Estas instrucciones est n destinadas al usuario y a los distribuidores especializados.**

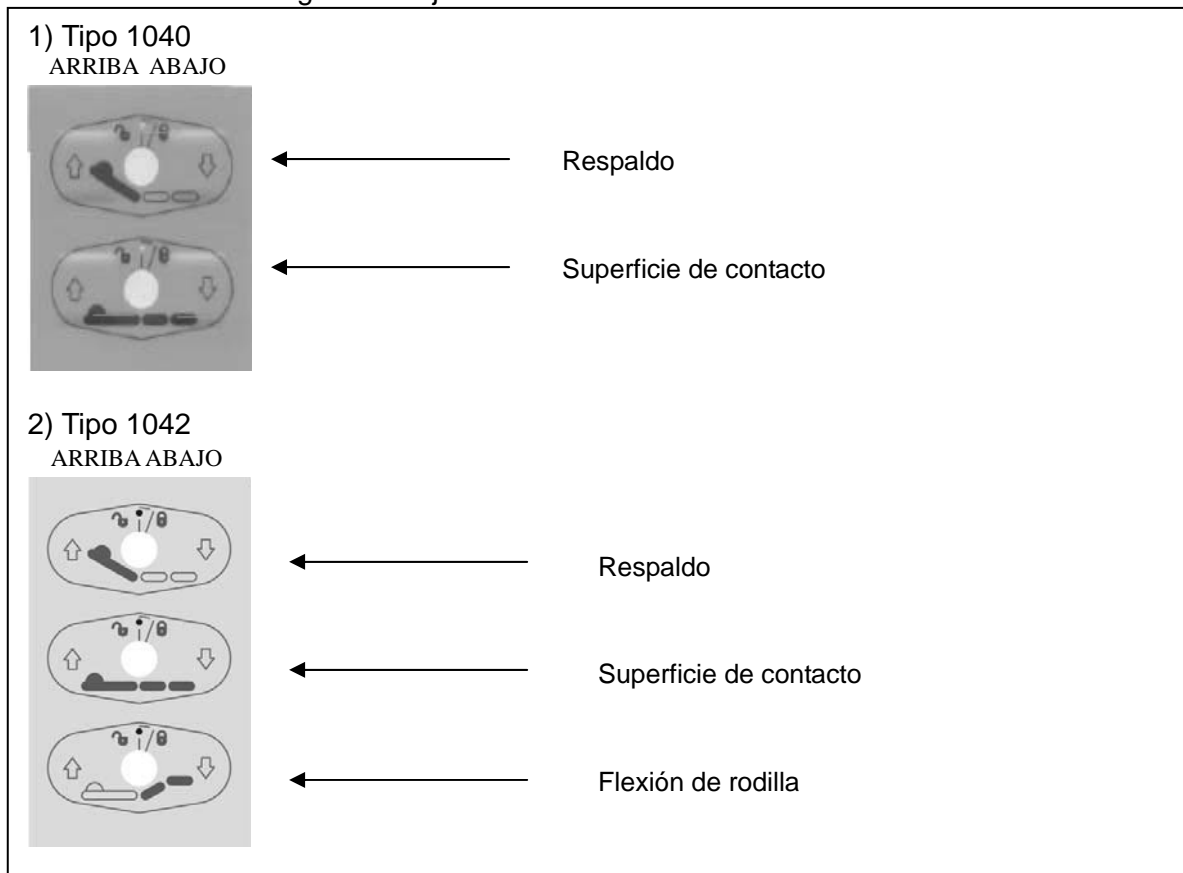
La cama se entrega completamente montada por su distribuidor especializado. Las instrucciones dirigidas al distribuidor especializado con respecto al montaje de la cama se encuentran en el cap tulo 3.

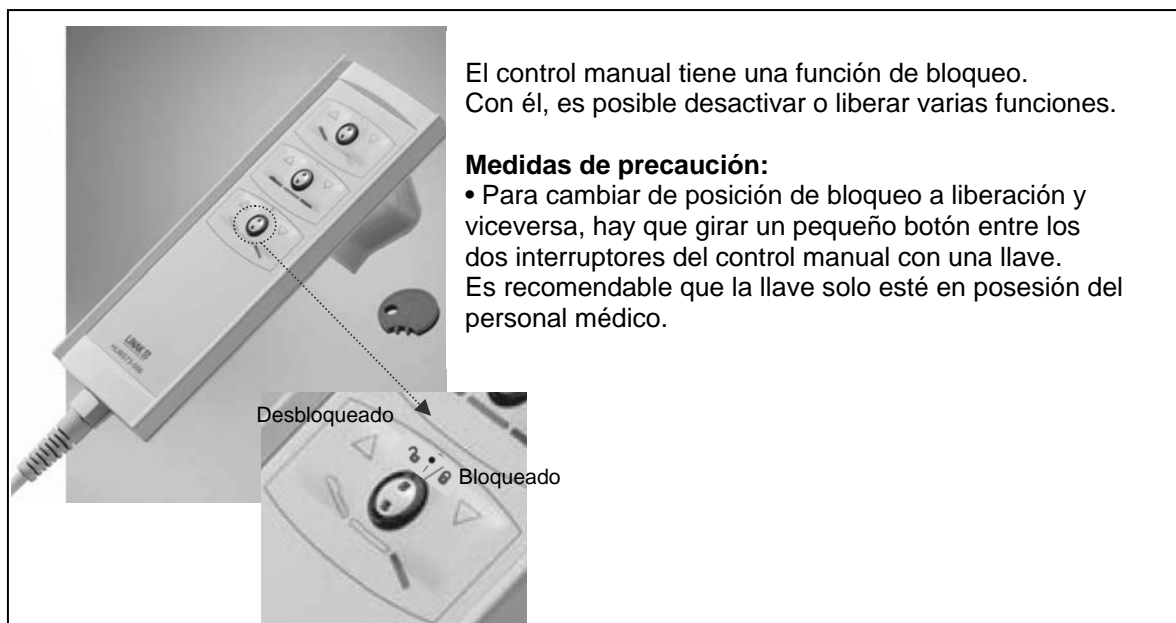
- ⚠ **ADVERTENCIA: Peligro de descarga el ctrica – Aseg rese que los cables no queden atrapados.**
- ⚠ **ADVERTENCIA: La cama solo debe utilizarse con un elevador que pueda colocarse bajo el espacio limitado del que dispone.**

2.1 Control manual con funci n de bloqueo

La altura de la superficie de la cama, el  ngulo del respaldo y el  ngulo de doblez de las rodillas pueden ajustarse con el control manual. Bloquee y guarde el control manual en el soporte situado al lado del ra l despu s de cada uso.

Pueden utilizarse los siguientes ajustes:



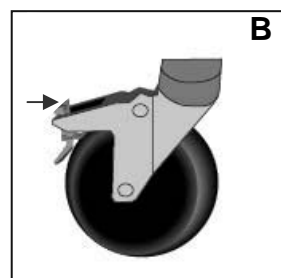
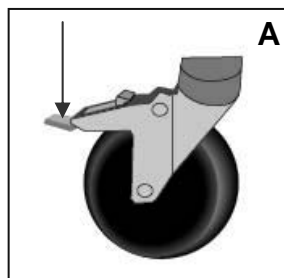


2.2 Uso de las ruedas de dirección

- ⚠ **ADVERTENCIA:** El buen funcionamiento de las ruedas depende de su desgaste y de las sustancias presentes en ellas (agua, aceite, etc.). Compruebe las condiciones de las ruedas antes de utilizarlas.
- ⚠ **ADVERTENCIA:** Las ruedas pueden desgastarse – Compruebe su funcionamiento antes de utilizarlas.
- ⚠ **ADVERTENCIA:** ¡Peligro de accidente!- Todas las ruedas tienen que estar bloqueadas. Si sólo hay una rueda bloqueada, las ruedas sueltas girarán alrededor de ésta.

Todas las ruedas de dirección se pueden bloquear para evitar que rueden inesperadamente.

- **Sujeción (A)**
Presione la superficie de la palanca de inclinación hacia abajo con el pie, hasta que frene la rueda.
- **Liberación (B)**
Levante la superficie de la palanca de inclinación con el pie hasta que se suelte la rueda.

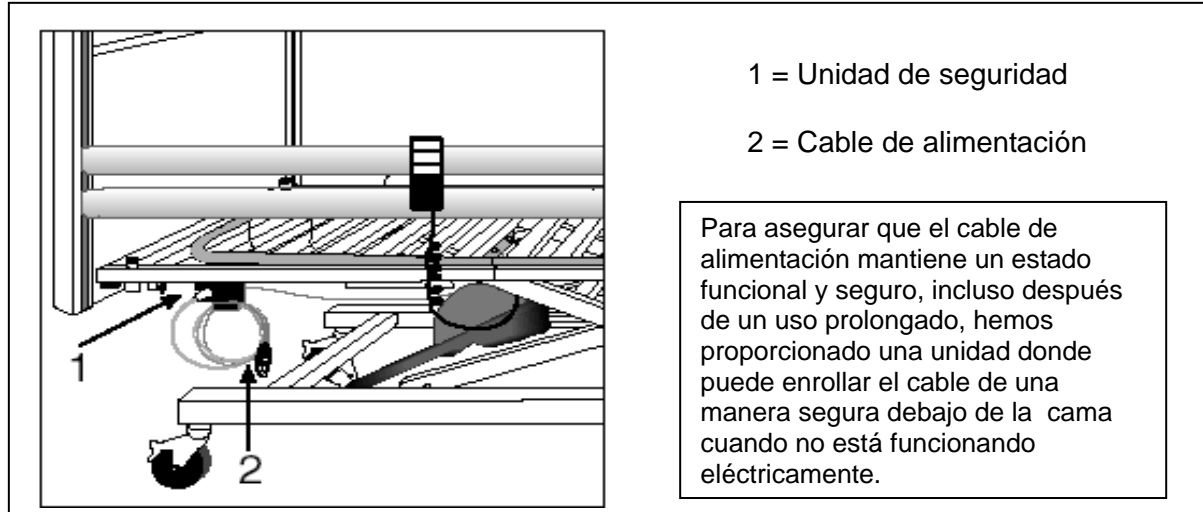


2.3 Sujetacables

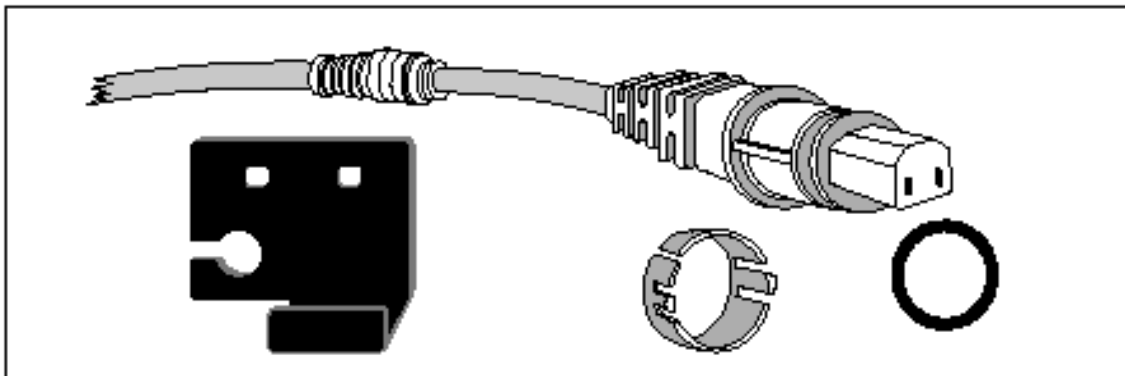
- ⚠ **ADVERTENCIA:** No extraiga la unidad de alivio.
- ⚠ **ADVERTENCIA:** Nunca adjunte ni cuelgue nada en la unidad de alivio.
- ⚠ **ADVERTENCIA:** El cable de alimentación se debe colocar cuidadosamente sin dobleces, sin tirantes, y sin que toque el suelo.

Para su seguridad el cable de alimentación está equipado con una unidad de alivio para evitar que el enchufe de alimentación se separe del transformador y así evitar que el cable se rompa o se reduzca la eficiencia del sistema de protección contra salpicaduras de agua.

Asimismo evita que se pase por encima del cable de alimentación involuntariamente. Éste sistema está montado y preparado para su uso.



Para asegurarse de que su cable de alimentación siga funcionando correctamente y se mantenga en un estado técnicamente seguro incluso tras un uso intensivo, y en caso de que no maneje la cama por medios eléctricos, en el mástil del bastidor de lamas hemos colocado un dispositivo donde puede dejar el cable enrollado bajo la cama de una manera segura.

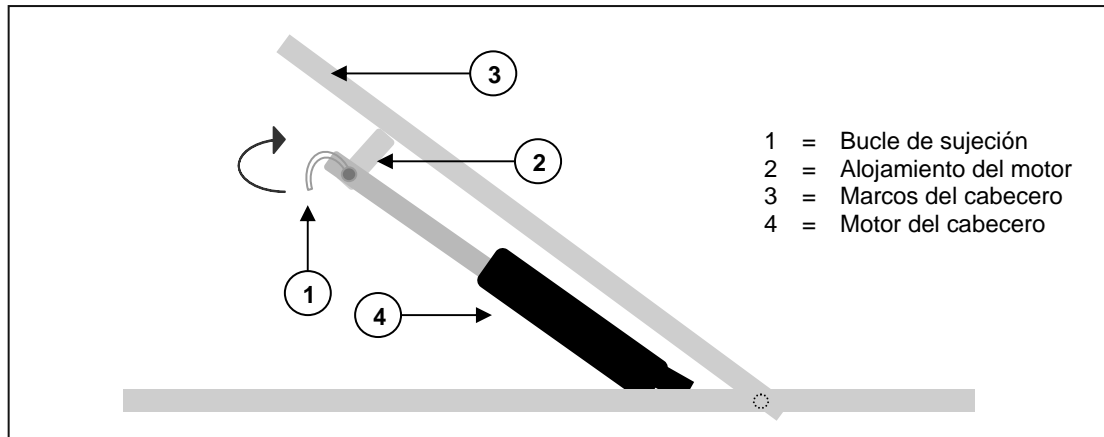


2.5 Bajada de emergencia del cabecero

- ⚠ **ADVERTENCIA:** Riesgo de lesiones - Compruebe que no haya objetos o partes corporales entre el cabecero y el bastidor.
- ⚠ **ADVERTENCIA:** Riesgo de lesiones - Sólo se permite efectuar la bajada de emergencia si hay al menos dos personas disponibles.

El cabecero se puede bajar manualmente (bajada de emergencia en caso de que falle el motor).

- Procedimiento:
1. Sujete firmemente el cabecero para prevenir que se caiga.
 2. Una segunda persona puede liberar el pasador de suspensión plegando el bucle de sujeción y tirando del perno del motor de suspensión.
 3. Baje el cabecero despacio.

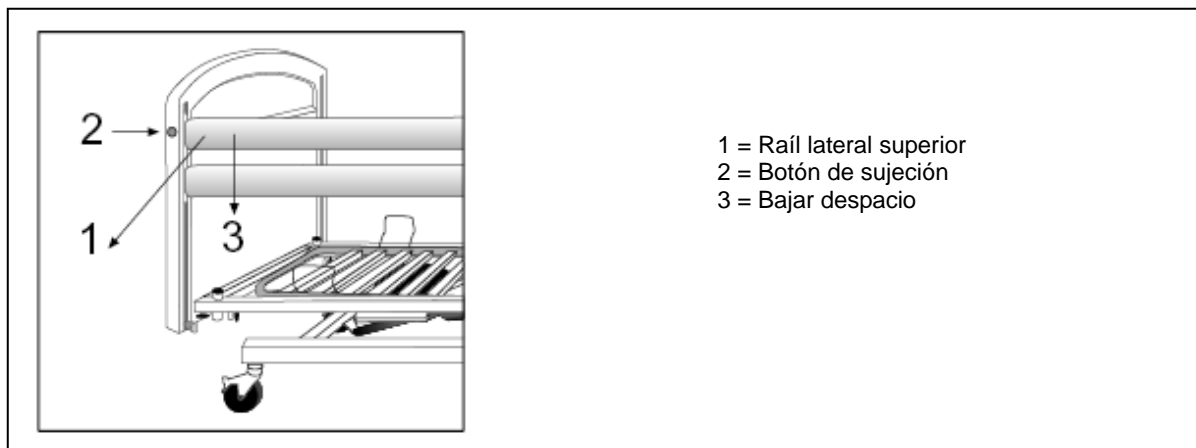


2.6 Raíles laterales

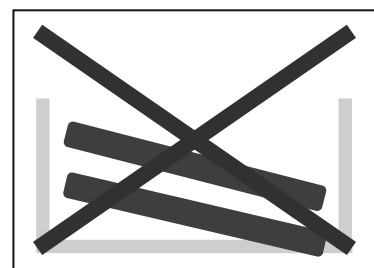
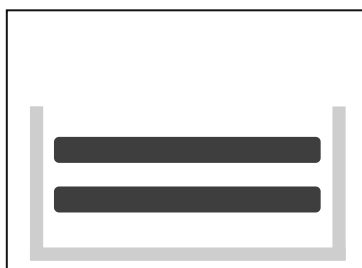
Los rieles laterales se pueden bajar de un lado.

- **Bajada**

- ⚠ **ADVERTENCIA: Riesgo de lesiones - Asegure los raíles laterales para evitar caídas accidentales.**
 - ⚠ **ADVERTENCIA: Riesgo de lesiones - Asegúrese de que ningún objeto ni parte corporal sobresalga de la superficie de contacto con la cama.**
 - ⚠ **ADVERTENCIA: Riesgo de lesiones - No baje los raíles laterales de uno de los lados si el paciente no está bajo supervisión.**
1. Levante el raíl lateral superior suavemente.
 2. Pulse el botón ② del lado del cabecero o del pie.
 3. Baje lentamente el raíl lateral. (Sujete siempre únicamente el raíl de madera superior).

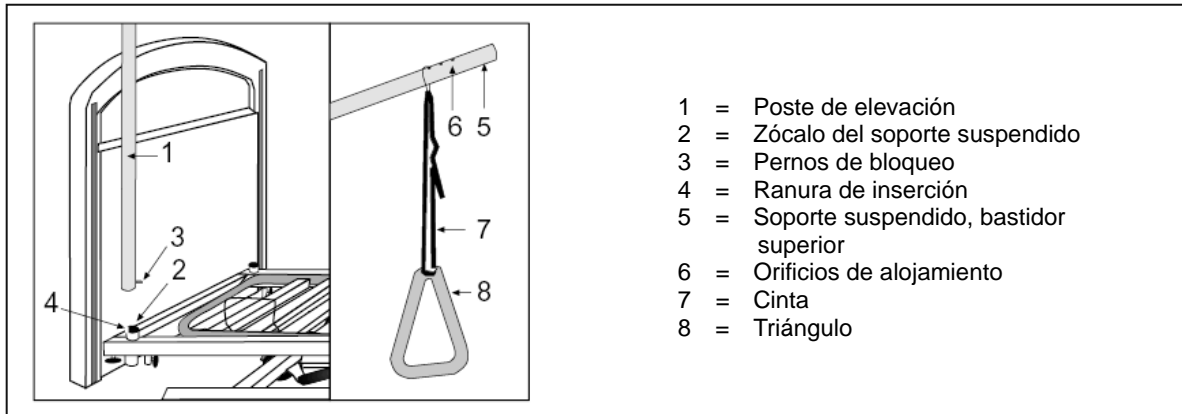


Asegúrese de que las funciones de la cama no se deterioran al levantar o bajar los raíles laterales, por ejemplo al utilizar cuñas para garantizar la seguridad del paciente.



2.7 Incorporador

El poste de elevación sobre el cabecero se puede montar a cualquier lado del cabecero



- Introduzca el poste (1) todo lo que pueda en el zócalo correspondiente (2).
- Introduzca los pernos de enclavamiento (3) en la ranura (4).
- Tire del bucle de metal por el extremo del bastidor superior (5) hasta que los pernos encastren en uno de los tres orificios de alojamiento (6).
- Pase también la cinta (7) por dentro del bucle de metal y a través del triángulo (8); ajuste la altura. Fije la cinta.

2.8 Traslado a la cama y desde esta

⚠ PRECAUCIÓN: Riesgo de caída - En caso de no poder realizar el traslado de forma segura, pida a alguien que le ayude.

1. Acérquese lo máximo posible a la cama.
2. Compruebe que los frenos de la cama estén accionados.
3. Extraiga o pliegue los raíles laterales de la cama.
4. Traslado a/desde la cama.

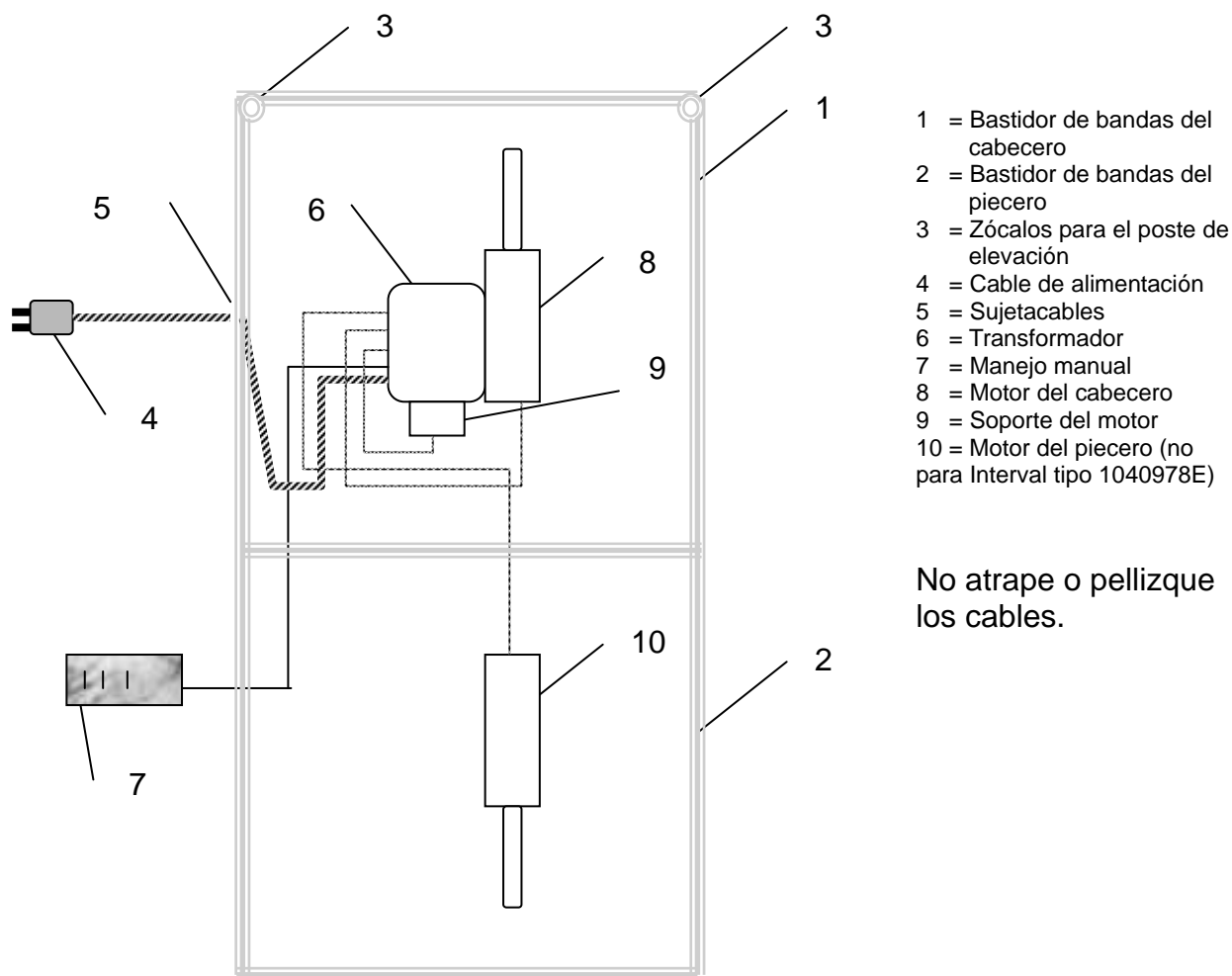
2.9 Transporte

⚠ ADVERTENCIA: Riesgo de lesiones - compruebe que la cama está sujeta en el vehículo de forma correcta.

⚠ ADVERTENCIA: Riesgo de lesiones – El transporte de la cama debe de hacerse sin el paciente.

Para evitar daños durante el transporte, debe quitar el incorporador. Desenchufe el cable de alimentación y compruebe que no haya cables colgando cerca del suelo.

2.10 Cableado



3 Instalación y ajuste

Este capítulo contiene instrucciones destinadas a los distribuidores especializados.

Para encontrar un centro de servicio o un distribuidor especializado cerca de usted, póngase en contacto con el centro Vermeiren más próximo. Puede encontrar una lista con los centros Vermeiren en la última página.

⚠ ADVERTENCIA: Riesgo por ajustes peligrosos; utilice únicamente los ajustes indicados en este manual.

3.1 Herramientas

Para montar la cama, necesita las siguientes herramientas.

- Llave Allen
- Destornillador

3.2 Forma de suministro

La cama Interval de Vermeiren se entrega con:

1) Interval tipo 1040 90 cm

- Soporte inferior con sistema de bisagras (972) Unos 30 kg
- Somier de lamas, piecero (978E) Unos 25 kg
- Somier de lamas, cabecero, incl. transformador y motor (978E) Unos 25 kg
- Paneles de madera (cabecero y piecero) (965) Unos 26 kg
- Raíles laterales (2 x 2 bandas de madera) (969) Unos 11 kg
- Incorporador + mango triangular (968) Unos 7 kg
- Manejo manual (con 978E)
- Llave allen (para el montaje) (con 965)
- Manual de instrucciones

2) Interval tipo 1042 90cm

- Soporte inferior con sistema de bisagras (972) Unos 30 kg
- Somier de lamas, piecero, incl. motor (977E) Unos 28 kg
- Somier de lamas, cabecero, incl. transformador y motor (977E) Unos 25 kg
- Paneles de madera (cabecero y piecero) (965) Unos 26 kg
- Raíles laterales (2 x 2 bandas de madera) (969) Unos 11 kg
- Incorporador + mango triangular (968) Unos 7 kg
- Manejo manual (con 977E)
- Llave allen (para el montaje) (con 965)
- Manual de instrucciones

3) Interval tipo 1042 120 cm

- Soporte inferior con sistema de bisagras (972) Unos 35 kg
- Somier de lamas, piecero, incl. motor (977E) Unos 33 kg
- Somier de lamas, cabecero, incl. transformador y motor (977E) Unos 30 kg
- Paneles de madera (cabecero y piecero) (965) Unos 26 kg
- Raíles laterales (2 x 2 bandas de madera) (969) Unos 11 kg
- Incorporador + mango triangular (968) Unos 7 kg
- Manejo manual (con 977E)
- Llave allen (para el montaje) (con 965)
- Manual de instrucciones

4) Interval tipo 1042 140 cm

- Soporte inferior con sistema de bisagras (972) Unos 40 kg
- Somier de lamas, piecero, incl. motor (977E) Unos 38 kg
- Somier de lamas, cabecero, incl. transformador y motor (977E) Unos 35 kg
- Paneles de madera (cabecero y piecero) (965) Unos 26 kg
- Raíles laterales (2 x 2 bandas de madera) (969) Unos 11 kg
- Incorporador + mango triangular (968) Unos 7 kg
- Manejo manual (con 977E)
- Llave allen (para el montaje) (con 965)
- Manual de instrucciones

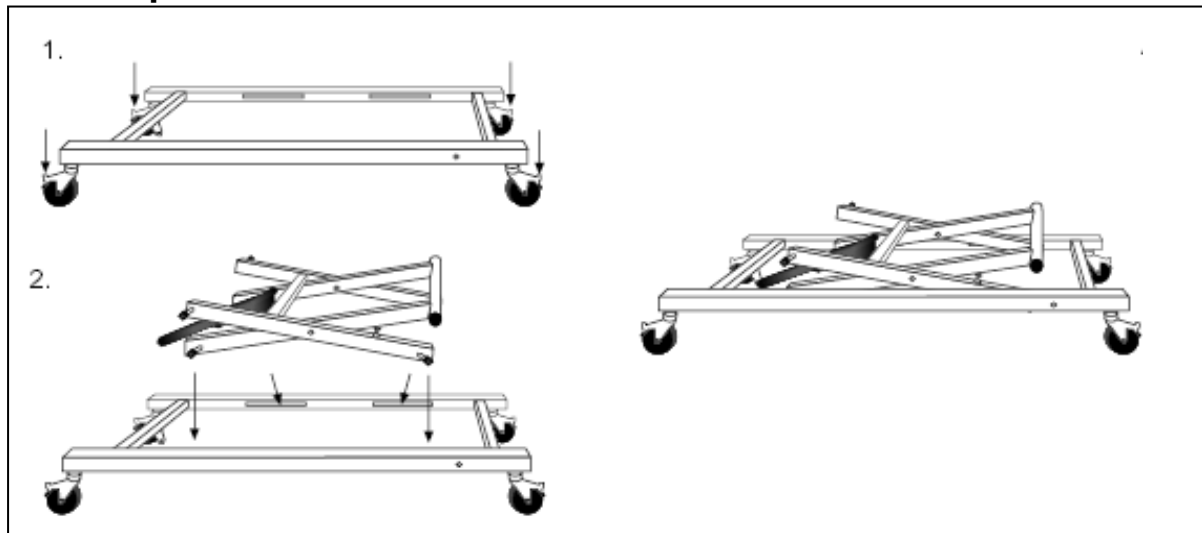
La cama sólo se puede usar con las piezas aquí enumeradas. Si se omiten piezas o si se incluyen accesorios, componentes o sistemas eléctricos ajenos, esta cama no se considerará una cama suministrada por el fabricante, y la estará usando por su cuenta y riesgo. En tal caso, no se aplicarán la conformidad con la CE ni la garantía del fabricante.

3.3 Montaje

- ⚠ **PRECAUCIÓN:** Peligro de pillarse los dedos: No meta los dedos entre los componentes de la cama.
- ⚠ **PRECAUCIÓN:** Peligro de que los dedos queden atrapados - Mantenga los dedos alejados de las partes móviles de la cama.

Debe cumplir las instrucciones de montaje de su cama, que se exponen a continuación.

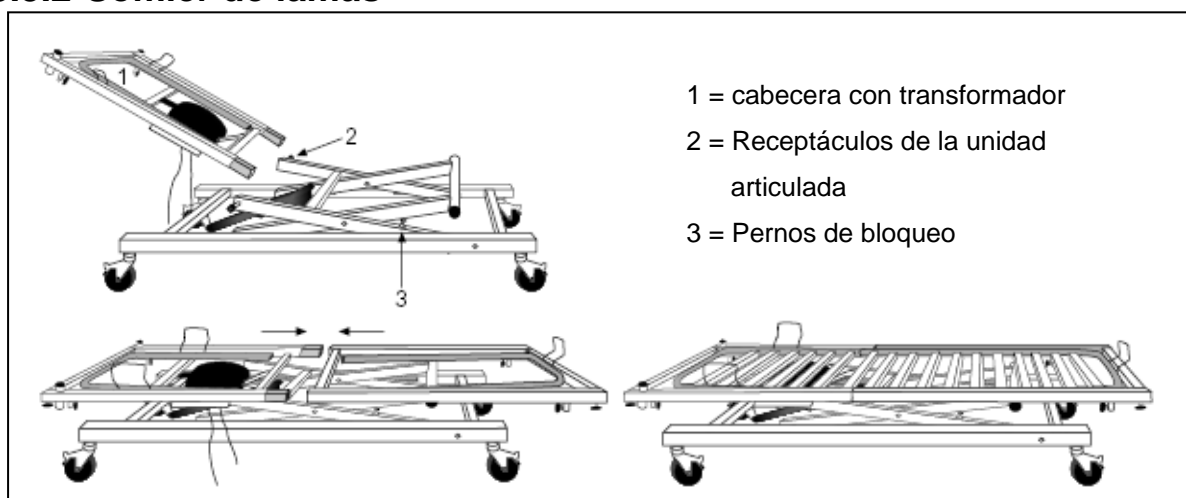
3.3.1 Soporte inferior



1. Coloque el chasis en una superficie lisa y plana, y bloquee las ruedas presionando las palancas de bloqueo.
2. Inserte la unidad de bisagras de tal manera que los tornillos de bloqueo se acoplen correctamente.

Proteja el cable eléctrico del motor contra posibles daños por aplastamiento.

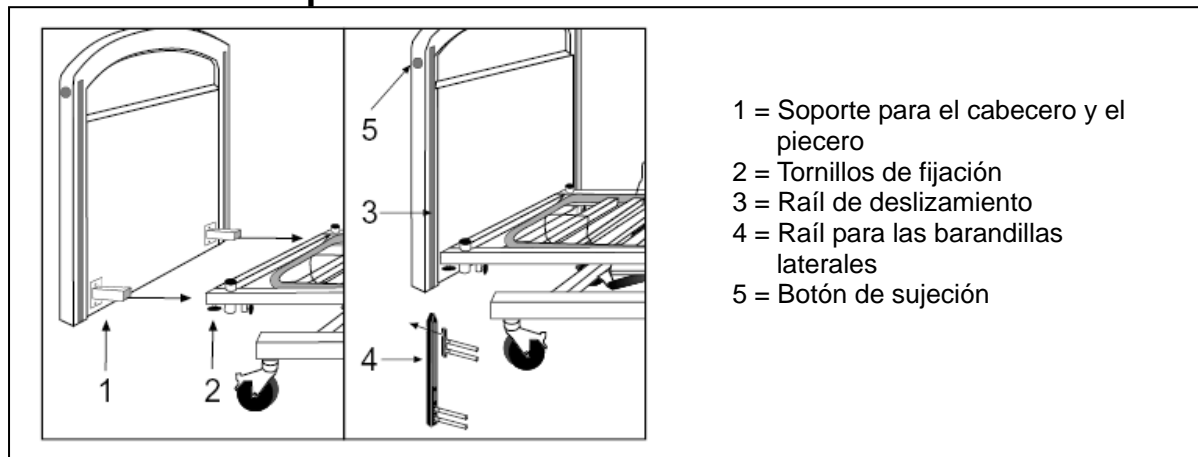
3.3.2 Somier de lamas



- 1 = cabecera con transformador
- 2 = Receptáculos de la unidad articulada
- 3 = Pernos de bloqueo

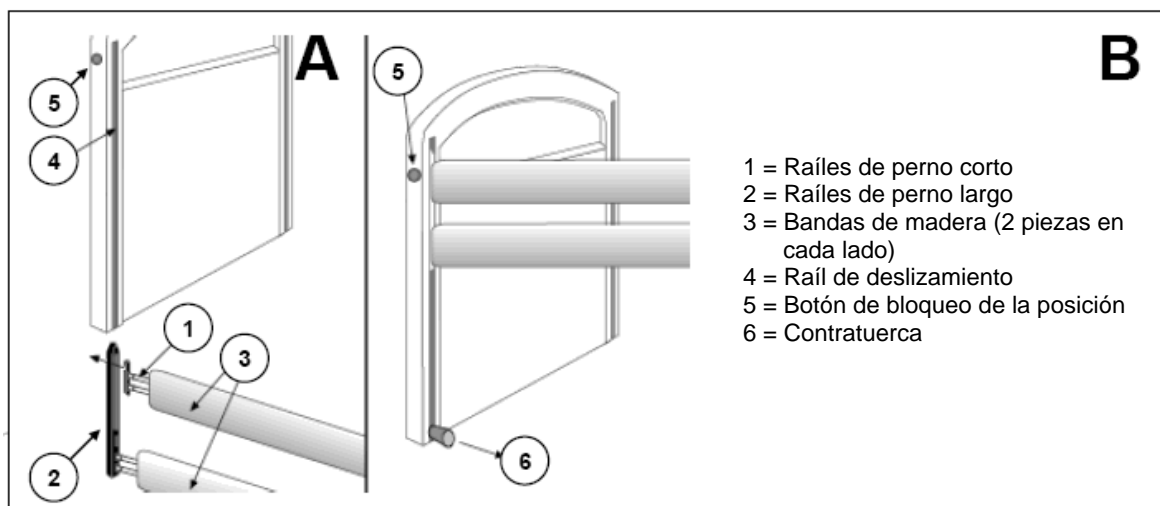
1. La cabecera del somier (con transformador) debe colocarse en los receptáculos negros de la unidad articulada. Los pernos de bloqueo del chasis son de seguridad.
 2. Tire del pie del somier con sus rieles por la parte trasera a través de los rodillos de la unidad articulada.
 3. Acople entre sí los tubos y asegúrelos por los dos lados con los tornillos de fijación.
 4. Coloque las lamas en las guías y presiónelas suavemente hasta su posición.
- Proteja el cable eléctrico del motor contra posibles daños por aplastamiento.

3.3.3 Cabecero / piecero



- 1 = Soporte para el cabecero y el piecero
- 2 = Tornillos de fijación
- 3 = Raíl de deslizamiento
- 4 = Raíl para las barandillas laterales
- 5 = Botón de sujeción

1. Monte los soportes del cabecero y del piecero con los tornillos y arandelas suministrados (montaje preparatorio).
2. Inserte los paneles de madera en los extremos del tubo del somier y fíjelos con los tornillos de fijación.
3. Coloque los raíles para las barandillas laterales con el borde filoso hacia arriba dentro de los raíles de deslizamiento del cabecero y del piecero hasta que estén completamente acoplados.



- 1 = Raíles de perno corto
- 2 = Raíles de perno largo
- 3 = Bandas de madera (2 piezas en cada lado)
- 4 = Raíl de deslizamiento
- 5 = Botón de bloqueo de la posición
- 6 = Contratuerca

3.3.4 Raíles laterales de madera

- A. Introduzca los raíles de perno corto (1) a derecha e izquierda en la banda de madera superior. Introduzca los rieles de perno largo (2) a izquierda y derecha en la banda de madera inferior.

Introduzca los raíles de perno largo (2) en la banda de madera del raíl de deslizamiento de la sección de la cabeza y los pies uno por uno, y asegúrelos insertando los raíles hasta que el extremo superior quede introducido y haga un clic. En uno de los lados, libere de nuevo este raíl hasta la punta pulsando el botón de bloqueo de la posición (5), y tire hacia arriba con suavidad de la banda de madera superior.

Deje que los raíles de perno (2) desciendan una vez más por el raíl de deslizamiento hasta que la punta del raíl roce la guía. Ahora hay que insertar el raíl de perno corto (1) junto con la banda de madera entre los límites de los raíles de perno largo, y todo el sistema de raíles de perno (1) + (2) se colocará en el raíl de deslizamiento pertinente (4) tirando hacia arriba cuando quede adherida la banda de madera superior y bloqueando a continuación la estructura en su posición.

B. Introduzca las contratuercas (6) y apriételas manualmente.

3.3.5 Conexiones del transformador

⚠ PRECAUCIÓN: Riesgo de lesiones - No toque el enchufe con las manos húmedas.

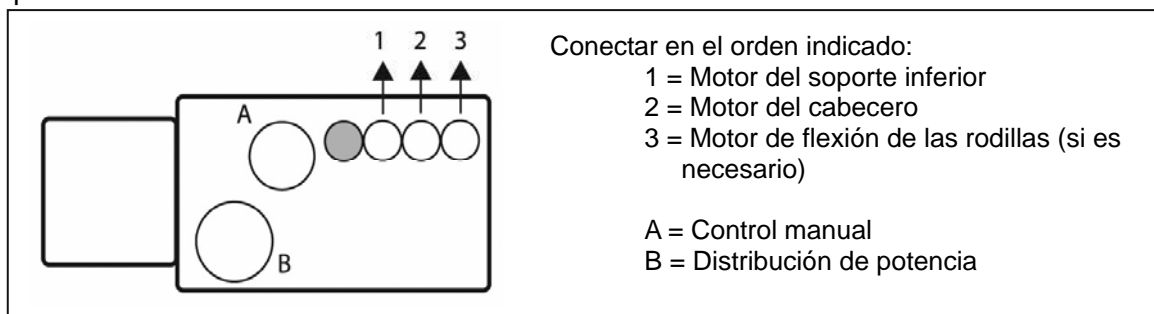
⚠ PRECAUCIÓN: Riesgo de lesiones - No coloque objetos en la conexión ni el cable y protéjalos contra cargas mecánicas.

1. Se requiere una toma de corriente A 220 V / 230 V, 50 Hz de acuerdo con las especificaciones de VDE
2. El diagrama de las conexiones del transformador se encuentra en la figura de abajo:

Sujete el enchufe únicamente para sacarlo de la toma.

El cable de corriente debe estar tendido sin bucles ni pliegues y no debe tocar bordes afilados.

El cable de corriente que lleva al interruptor manual debe estar protegido contra aplastamientos.



4 Mantenimiento

Para consultar el manual de mantenimiento de la cama, visite el sitio web de Vermeiren www.vermeiren.es.



Spis treści

Wstęp	2
1 Opis produktu	3
1.1 Przeznaczenie	3
1.2 Parametry techniczne	4
1.3 Elementy składowe	5
1.4 Objasnienia symboli.....	5
1.5 Akcesoria.....	5
1.6 Zasady bezpiecznego użytkowania	6
2 Sposób użycia	7
2.1 Sterowanie ręczne wraz z funkcją blokady	7
2.2 Obsługa kółek jezdnych	8
2.3 Zabezpieczenie końcówki kabla.....	8
2.4 Przewód zasilania.....	9
2.5 Awaryjne opuszczanie zagłówka.....	10
2.6 Bariery.....	10
2.7 Wysięgnik.....	11
2.8 Kładzenie się i wstawanie z łóżka.....	11
2.9 Przejeżdżanie.....	11
2.10 Schemat połączenia przewodów	12
3 Montaż i regulacja	12
3.1 Narzędzia.....	12
3.2 Sposób dostawy.....	13
3.3 Montaż.....	14
4 Konserwacja	16



Wstęp

PL

Przede wszystkim pragniemy Państwu podziękować za zaufanie, jakim nas Państwo obdarzyli, dokonując wyboru jednego z naszych wózków inwalidzkich.

ŁÓŻKO Vermeiren są konstruowane na podstawie wieloletnich badań i doświadczenia. W procesie projektowania szczególną uwagę poświęcono łatwości użycia i solidności.

Na szacowaną żywotność ŁÓŻKO olbrzymi wpływ ma konserwacja oraz pielęgnacja wózka.

Niniejsza instrukcja pomoże Państwu zapoznać się z obsługą wózka.

Postępowanie zgodnie z instrukcją użytkownika oraz instrukcją konserwacji stanowi zasadniczy warunek gwarancji.

Niniejsza instrukcja obsługi odzwierciedla aktualny stan produktu. Firma Vermeiren zastrzega sobie jednak prawo do wprowadzenia zmian bez obowiązku dostosowania lub wymiany wcześniej dostarczonych modeli.

W razie jakichkolwiek pytań prosimy kontaktować się ze sprzedawcą.

1 Opis produktu

1.1 Przeznaczenie

Zakupione przez Państwa łóżko rehabilitacyjne model Interval zostało zaprojektowane z myślą o zapewnieniu pełnego komfortu. Model ten oferuje szereg możliwości dostosowania do indywidualnych potrzeb użytkownika, które opisane zostały w dalszej części instrukcji.

Prezentowany model łóżka rehabilitacyjnego został zaprojektowany z myślą o dorosłym pacjencie (w wieku od 12 lat, o max. Ciężar pacjenta (patrz tabela 1)).

Łóżko to powinno posiadać odpowiednio dobrany materac (zalecany: min. gęstość pianki RG 35, grubość 120 mm, ciężar maks. 20 kg)

A także modułowa konstrukcja złoża umożliwia pełne użytkowanie łóżka przez osoby niepełnosprawne, osoby starsze lub w czasie rekonwalescencji zarówno w ośrodkach opieki zdrowotnej jak i w domu.

W celu dostosowania produktu do indywidualnych wymagań:

- rozmiary i masa ciała (maks. 150 kg dla Interval 90 cm, maks. 240 kg dla Interval 120 cm i maks. 240 kg dla Interval 140 cm);
- stan fizyczny i psychiczny;
- warunki mieszkaniowe;
- otoczenie;

muszą zostać wzięte pod uwagę.

Łóżko powinno być wykorzystywane zgodnie z klasą warunków środowiskowych 4 z ISO 60601-2-52: „opieki prowadzonej w warunkach domowych gdzie medyczne urządzenie elektryczne jest używane w celu załagodzenia lub zrównoważenia skutków obrażeń, niepełnosprawności lub choroby”.

Z łóżka należy korzystać wyłącznie na powierzchniach, na których wszystkie cztery koła dotykają podłoża.

Łóżka nie należy wykorzystywać w roli drabiny, nie służy ono również do transportu ciężkich lub gorących przedmiotów.

Eksploatacja łóżka na matach, dywanach lub luźnych przykryciach podłogowych może spowodować ich uszkodzenie oraz znacznie utrudnia manewrowanie.

Należy korzystać wyłącznie z akcesoriów zatwierdzonych przez firmę Vermeiren. Korzystanie z łóżka w połączeniu z innymi produktami, sprzętem lub urządzeniami z napędem elektrycznym jest niedozwolone.

Producent nie ponosi odpowiedzialności za uszkodzenia spowodowane brakiem lub nieodpowiednim serwisowaniem bądź będące skutkiem nieprzestrzegania zaleceń zawartych w niniejszej instrukcji obsługi.

Postępowanie zgodnie z instrukcją użytkownika oraz instrukcją konserwacji stanowi zasadniczy warunek gwarancji.



1.2 Parametry techniczne

(dotyczą łóżka całkowicie zmontowanego)

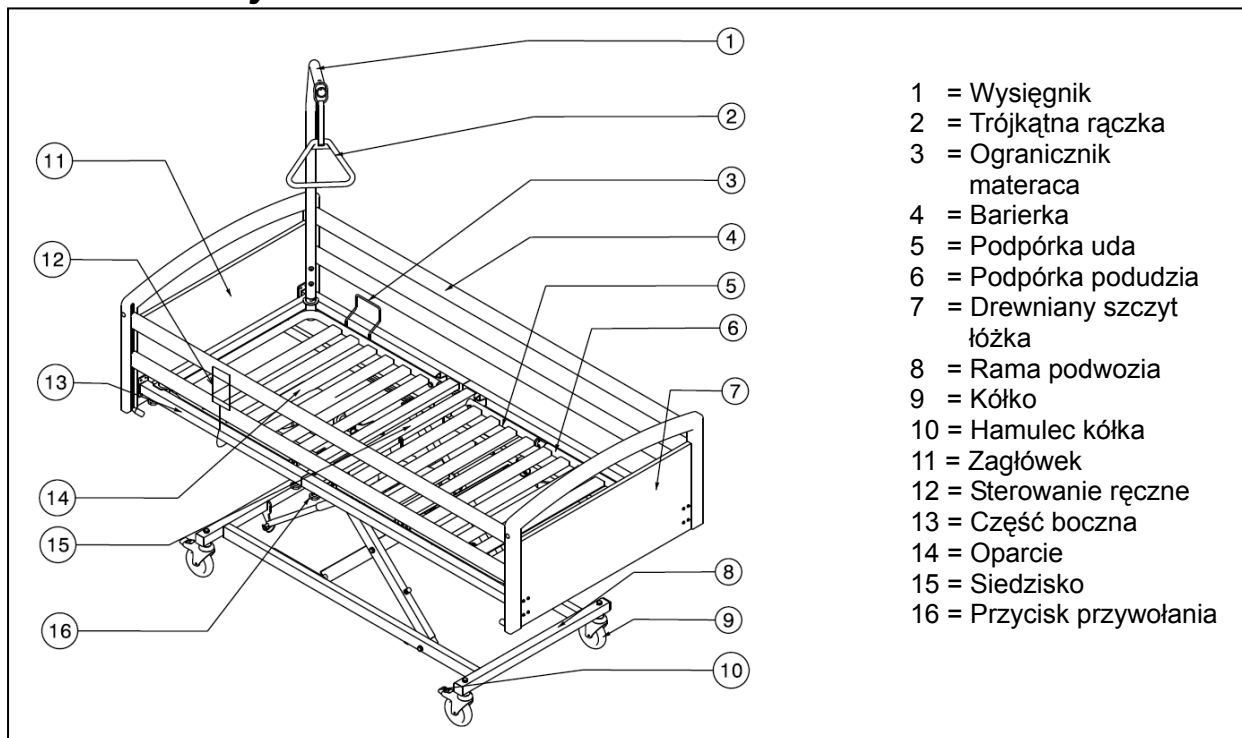
Producent	Vermeiren Polska		
Adres	Ul. Łączna 1, PL-55-100 Trzebnica		
Typ	Łóżko rehabilitacyjne		
Model	Interval, Interval 120 cm, Interval 140 cm		
Opis	Interval 90 cm	Interval XXL	
		Interval 120 cm	Interval 140 cm
max. Ciężar pacjenta	Dopuszczalne obciążenie 150 kg	Dopuszczalne obciążenie 240 kg	Dopuszczalne obciążenie 240 kg
Długość	2080 mm		
Szerokość	1030 mm	1330 mm	1530 mm
Wysokość (bez wysięgnika)	840 mm - 1275 mm	860 mm - 1295 mm	860 mm - 1295 mm
Wysokość (z wysięgnika)	1870 mm - 2305 mm	1900 mm - 2335 mm	1900 mm - 2335 mm
Zakres regulacji wysokości leża:	Płynna regulacja od 370 do 805 mm (bez materaca)		
Masa całkowita (z wyjątkiem poręczy bocznych, wysięgnika oraz trójkątnej rączki)	106 kg	124 kg	139 kg
Zakres regulacji zagłówek (płynny)	70.5°		
Maksymalny kąt dla części udowej podnóżka	28.5°		
Maksymalny kąt dla części podudowej podnóżka	-20.5°		
max. obciążenie robocze *	185 kg	275 kg	275 kg
Dopuszczalne obciążenie wysięgnika	Nominal load 80 kg		
Materac	Min. RG 35, 120 mm grubości, 2000 x 900 mm, max. 20 kg	Min. RG 35, 120 mm grubości, 2000 x 1200 mm, max. 20 kg	Min. RG 35, 120 mm grubości, 2000 x 1400 mm, max. 20 kg
Wysokość przejazdowa (pod ramą podnośnika)	145 mm		
Kółka jezdne (4 sztuki)	Ø 125 mm (4.9 in), blokowane		
Motor podnośnika	LA31.28-300-24-001, Linak		
Motor zagłówek	LA31.2JB-100-24-301, Linak		
Motor podnóżka	LA31.2J-100-24-301, Linak		
Sterowanie ręczne	HLW072-002, Linak (Interval typ 1040) HLW073-005, Linak (Interval typ 1042)	HLW073-005, Linak (Interval typ 1042)	HLW073-005, Linak (Interval typ 1042)
Transformator	CB 09SO-3T-24, Linak		
Parametry prądu transformatora	U in: 230 V~, ± 10%, 50 Hz, I in: max. 1.5 A, Uout: 24V ---, max. 70 VA		
Czas pracy	10%, max. 6 min/h.		
Dopuszczalna głośność pracy	< 65 dB(A)		
Klasa bezpieczeństwa	Bezpieczeństwo kl. II, Typ B / IPX4 (wodoszczelny)		
Temperatura przechowywania i użytkowania	+ 5 °C	+ 41 °C	
Wilgotność powietrza do przechowywania i użytkowania	30%	70%	
Producent zastrzega sobie prawo do wprowadzania zmian parametrów technicznych. Tolerancja pomiarów ± 15mm /1,5 kg / °			
* Max. obciążenie robocze = waga pacjenta + ciężar materaca + ciężar innych akcesoriów			

Tabela 1: Parametry techniczne

Łóżko spełnia wymogi następujących norm:

- EN 1970: Łóżka z regulacją dla osób niepełnosprawnych: Wymagania i badania
 EN 1970+ A1: Łóżka z regulacją dla osób niepełnosprawnych: wymagania i badania
 EN 60601-2-38/A1: Medyczne urządzenia elektryczne - Część 2-38: Szczegółowe wymagania bezpieczeństwa łóżek szpitalnych z napędem elektrycznym

1.3 Elementy składowe



1.4 Objasnienia symboli



Waga maksymalna



CE deklaracja



Wskazówki bezpieczeństwa



Zapoznać się z uwagami użytkownika



Właściwa kolejność, sposób, położenie itd.



Błędna kolejność, sposób, położenie itd.



Klasa bezpieczeństwa II



Typ użytkownika B



Oznaczenie typu

1.5 Akcesoria

⚠ OSTRZEŻENIE: W przypadku stosowania akcesoriów nie wymienionych poniżej należy zachować szczególne środki ostrożności.

- Trzecia drewniana barierka

1.6 Zasady bezpiecznego użytkowania

- ⚠ Przed rozpoczęciem użytkowania czy montażu zapoznać się dokładnie z instrukcją obsługi.
- ⚠ Ustawianie i użytkowanie łóżka powinno odbywać się na płaskich, poziomych powierzchniach tak, aby wszystkie kółka jezdne dotykały podłoża.
- ⚠ Zapewnić należy, aby w miejscu użytkowania łóżka nie było przeszkód utrudniających prawidłową eksploatację czy montaż.
- ⚠ W przypadku wystąpienia ryzyka upadku pacjenta z łóżka podczas wstawania czy kładzenia się, ustalić należy najniższą pozycję leża oraz dokonać blokady położenia.
- ⚠ W przypadku braku nadzoru nad pacjentem (o ile takie okoliczności zachodzą) należy ustalić najwyższe położenie barierek po obydwu stronach łóżka a odblokowanie i opuszczanie ich może odbywać się jedynie przez osobę obsługującą.
- ⚠ w trakcie prac montażowych, demontażowych oraz eksploatacyjnych istnieje szczególne niebezpieczeństwo uszkodzenia rąk.
- ⚠ W trakcie transportu trzymać tylko za stałe, masywne elementy ramy łóżka !
- ⚠ Przed każdym użytkowaniem łóżka sprawdzić i zablokować wszystkie cztery kółka jezdne.
- ⚠ Eksploatacja elektrycznych urządzeń medycznych wewnątrz łóżka jest niedopuszczalna !
- ⚠ Opieranie się o barierki lub wspieranie się na nich grozi wypadkiem !
- ⚠ Przewieszanie się poza obrys łóżka stanowi groźbę wypadku !
- ⚠ Pozostawienie kończyn pomiędzy ruchomymi elementami łóżka grozi ich uszkodzeniem i wypadkiem !
- ⚠ W trakcie czynności regulacyjnych i innych obsługowych zwracać uwagę aby żadna część ciała nie znalazła się w strefie potencjalnego uszkodzenia (ruchome: zagłówek, podnóżek, podnośnik, barierki itd.) !
- ⚠ Podczas regulacji podnóżka czy zagłówek nie należy wsuwać rąk pomiędzy materac a wspomniane części ze względu na ryzyko zranienia kończyn !
- ⚠ Dopuszcza się włączanie wtyczki przewodu zasilającego jedynie do gniazda VDE (220V/230V, 50 Hz).
- ⚠ Wyciąganie wtyczki z gniazdka dopuszczalne jest trzymając tylko za korpus wtyczki a nie za przewód .
- ⚠ Po każdorazowej ręcznej zmianie położenia zablokować ręczne sterowanie za pomocą funkcji blokady.
- ⚠ Eksploatacją łóżka dopuszczalna jest tylko w pomieszczeniach suchych.
- ⚠ Stosować jedynie zalecane materace.
- ⚠ Przy stwierdzeniu deformacji ramy wysięgnika należy go niezwłocznie wymienić na nowy.
- ⚠ Barierki muszą być zamontowane po obydwu stronach łóżka (od ściany również).
- ⚠ Pamiętać należy, że samodzielna naprawa stwarza niebezpieczeństwo wypadku !
- ⚠ Nie otwierać pokryw motorów czy transformatora !
- ⚠ Transport łóżka może odbywać się wyłącznie bez pacjenta
- ⚠ Zwracać uwagę aby przewody prądowe nie znalazły się pomiędzy zawiasami podnóżka czy zagłówek co grozi awarią.
- ⚠ Wszystkie przewody muszą być tak umieszczone aby nie uległy przetarciu i nie dotykały podłogi.
- ⚠ Stosowanie dodatkowych urządzeń mechanicznych czy elektrycznych jest niedopuszczalne.
- ⚠ Przeglądy, naprawy czy dezynfekcje mogą dokonywać jedynie osoby specjalnie przeszkolone.
- ⚠ Dopuszcza się stosowanie jedynie oryginalnych części dostarczanych przez producenta.
- ⚠ Nie wolno obciążać łóżka powyżej dopuszczalnej wartości.
- ⚠ Zabrania się stosowania w strefie łóżka przedmiotów żarzących się lub płonących (świeczki, papierosy itd.).

- ⚠ W przypadku stwierdzenia uszkodzenia barierek (wygięcia, złamania, pęknięcia itd.) należy je niezwłocznie wymienić na nowe z uwagi na ryzyko wypadku.
- ⚠ Podłączenie łóżka do sieci może spowodować zakłócenie innych urządzeń zewnętrznych. W takiej sytuacji należy natychmiast odłączyć zasilanie łóżka.
- ⚠ Należy bezwzględnie stosować się do wszystkich powyższych uwag.
- ⚠ Łóżko z napędem elektrycznym umieścić w odpowiedniej odległości od gniazdka sieci elektrycznej.
- ⚠ Łóżko medyczne powinno być używane jedynie z wycięgniakiem, który zmieści się w ograniczonej przestrzeni dostępnej dla łóżka.

2 Sposób użycia

W niniejszym rozdziale opisano codzienne użytkowanie łóżka. **Instrukcje te są przeznaczone dla użytkownika oraz wyspecjalizowanego sprzedawcy.**

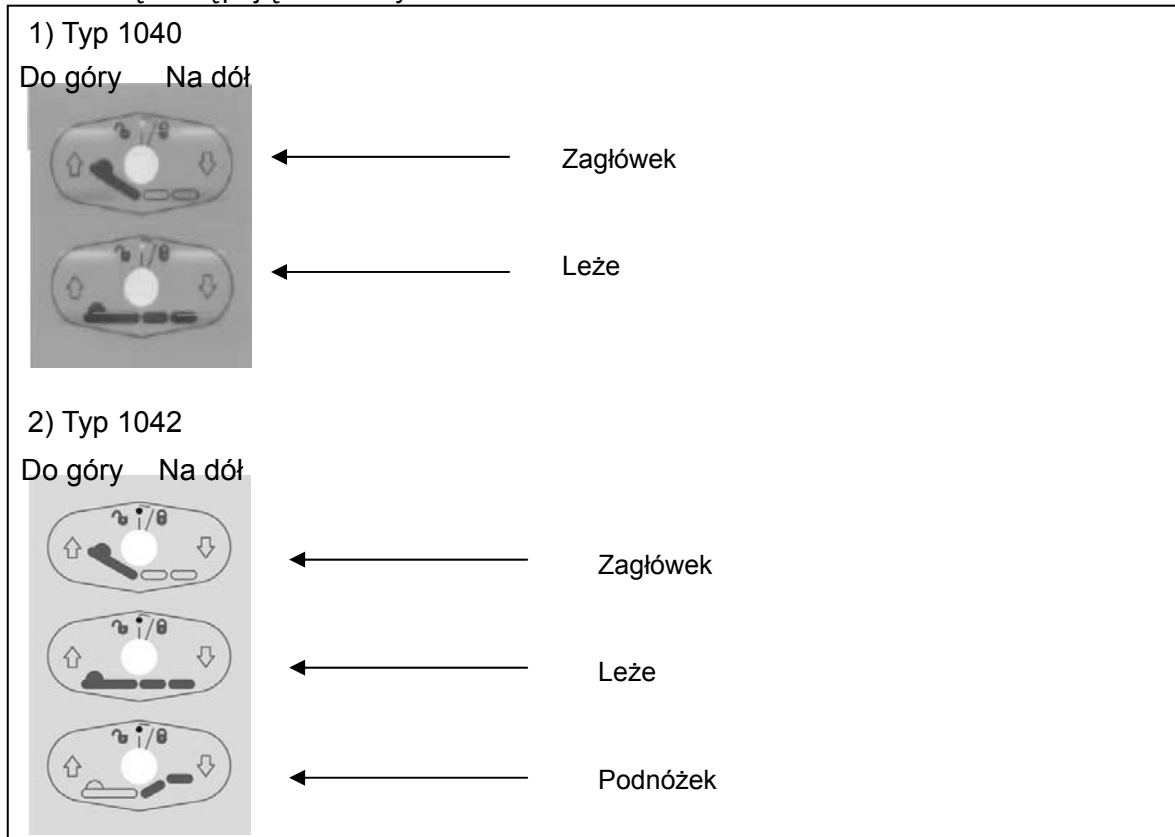
Łóżko rehabilitacyjne jest dostarczane klientowi po złożeniu przez wyspecjalizowanego sprzedawcę. Instrukcje montażu łóżka przeznaczone dla wyspecjalizowanego sprzedawcy zawiera § 3.

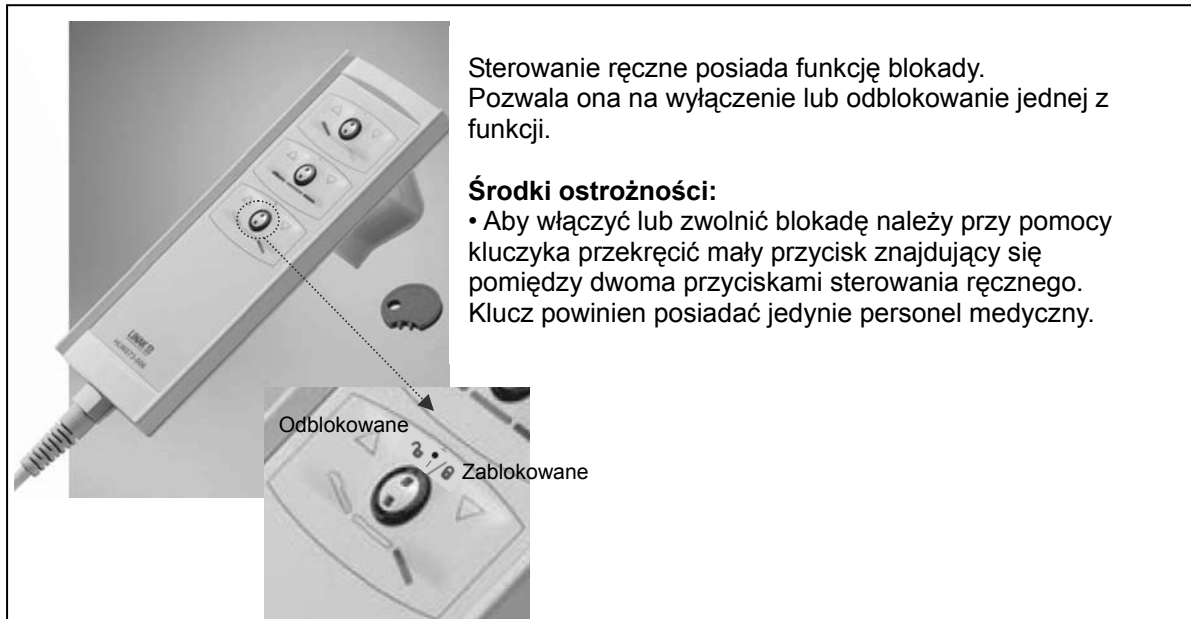
- ⚠ **OSTRZEŻENIE:** Ryzyko porażenia prądem - prosimy się upewnić, że przewody nie są ściśnięte.
- ⚠ **OSTRZEŻENIE:** Łóżko medyczne powinno być używane jedynie z wycięgniakiem, który zmieści się w ograniczonej przestrzeni dostępnej dla łóżka.

2.1 Sterowanie ręczne wraz z funkcją blokady

Położenie wysokości leża, położenie zagłówka czy podnóżka dokonuje się przy pomocy sterowania ręcznego. Należy zablokować i zamontować pilot na barierce po użyciu.

Możliwe są następujące zmiany ustawień łóżka:



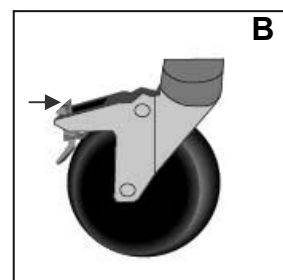
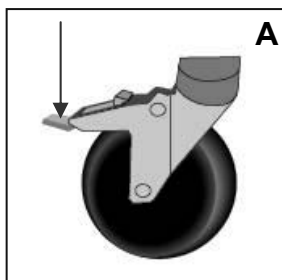


2.2 Obsługa kółek jezdnych

- ⚠ **OSTRZEŻENIE:** Na prawidłową pracę kółek jezdnych wpływ ma zużycie oraz zanieczyszczenie ogumienia (woda, olej, ...) – przed każdym użyciem należy sprawdzać stan ogumienia.
- ⚠ **OSTRZEŻENIE:** Kółka jezdne mogą ulec zużyciu – przed każdym użyciem należy sprawdzać ich stan.
- ⚠ **OSTRZEŻENIE:** Niebezpieczeństwo wypadków - wszystkie kółka jezdne powinny być jednocześnie zablokowane. W przypadku zablokowania jedynie jednego kółka, przemieszczanie łóżka jest możliwe

W celu zabezpieczenia łóżka przed niekontrolowanym przemieszczeniem zastosowano wszystkie kółka skrętne z blokadą.

- **Blokowanie (A)**
Stopkę blokady wcisnąć stopą ku dołowi aż do wyraźnego oporu.
- **Zwalnianie (B)**
Górną stopkę blokady wcisnąć stopą ku przodowi aż do wyraźnego oporu.

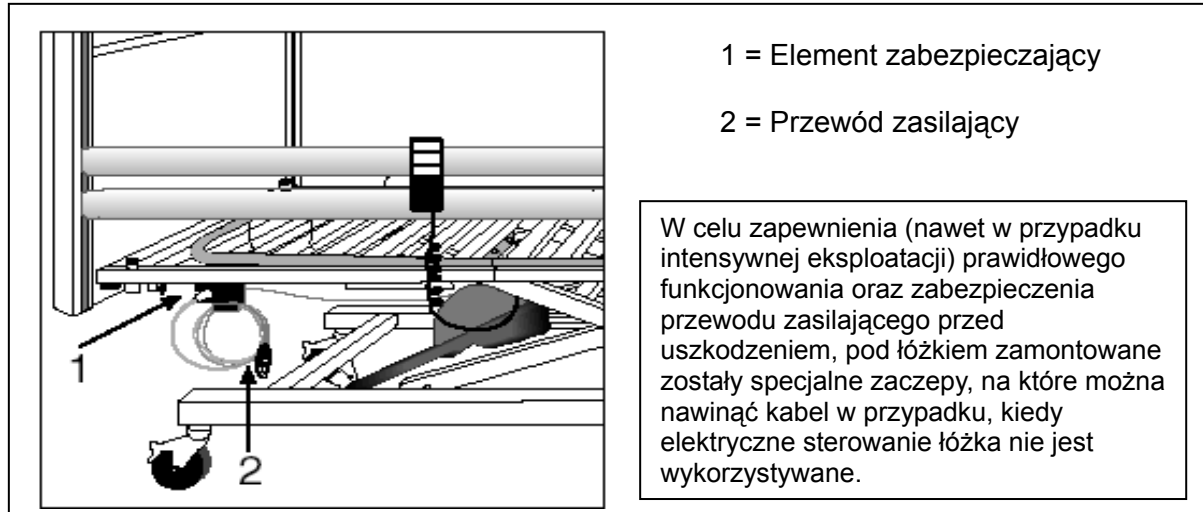


2.3 Zabezpieczenie końcówki kabla

- ⚠ **OSTRZEŻENIE:** Adaptor mocowania przewodu zasilającego pod żadnym pozorem nie może być usunięty.
- ⚠ **OSTRZEŻENIE:** Zabrania się nakładania lub zawieszania innych elementów na adapterze.
- ⚠ **OSTRZEŻENIE:** Przewód zasilający należy prowadzić ostrożnie unikając załamań, przeciągania i dotykania podłogi.

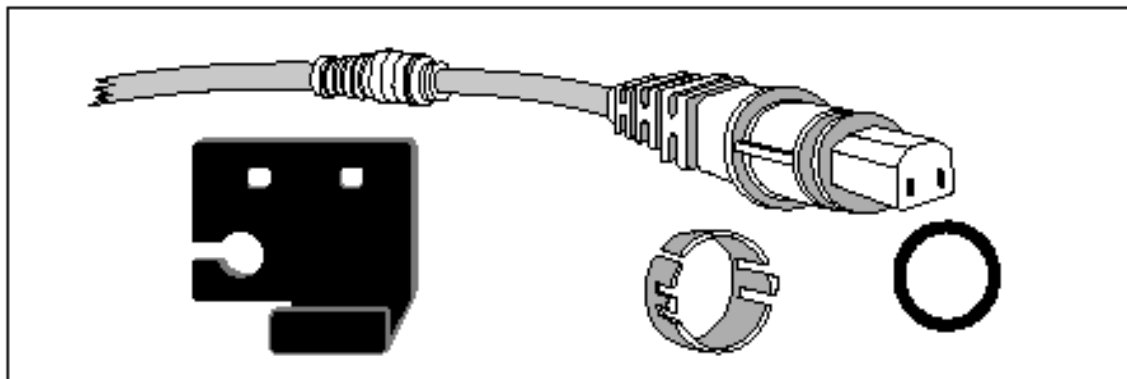
Ze względów bezpieczeństwa przewód zasilający posiada element zabezpieczający chroniący wtyczkę przed odłączeniem od transformatora, które mogłoby spowodować uszkodzenie kabla lub zmniejszenie skuteczności ochrony układu przed spryskaniem wodą.

Jednocześnie zabezpiecza też przed niezamierzonym najechaniem na przewód zasilający w przypadku, gdy leżałby on pod łóżkiem. Element ten jest fabrycznie montowany.



2.4 Przewód zasilania

W celu zapewnienia (nawet w przypadku intensywnej eksploatacji) prawidłowego funkcjonowania oraz stanu technicznego przewodu zasilającego, pod łóżkiem zamontowane zostały specjalne zaczepek, na które można nawinąć kabel w przypadku, kiedy elektryczne sterowanie łóżka nie jest wykorzystywane.



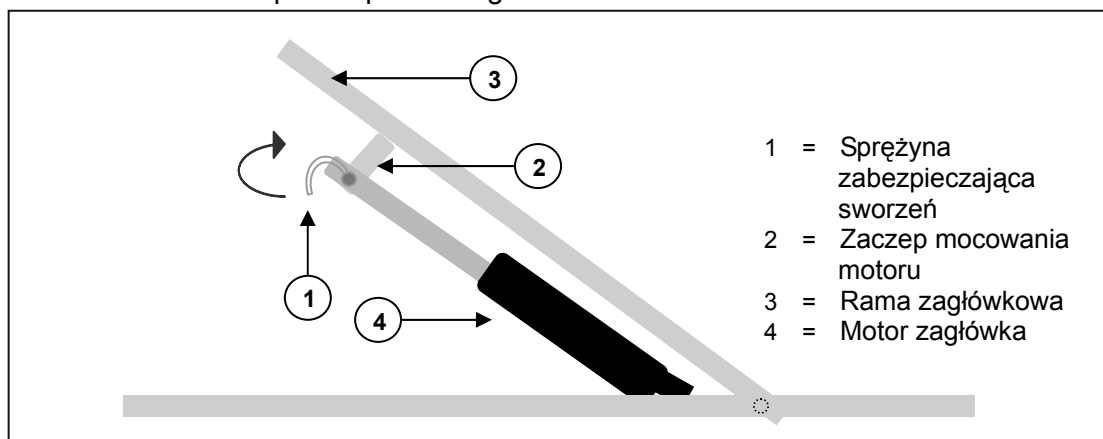
2.5 Awaryjne opuszczanie zagłówka

- ⚠ **OSTRZEŻENIE:** Niebezpieczeństwo urazu – sprawdzić, czy pomiędzy częścią podglówkową a ramą nie znajdują się żadne przedmioty lub części ciała.
- ⚠ **OSTRZEŻENIE:** Niebezpieczeństwo urazu – Awaryjne opuszczanie zagłówka może być dokonywane przez minimum dwie odpowiedzialne osoby.

Część podglówkowa leża może zostać obniżona ręcznie (obniżanie awaryjne w przypadku uszkodzenia silnika).

Czynności do wykonania:

1. Należy pewnie przytrzymać zagłówek w celu uchronienia go przed opadnięciem.
2. Następnie druga osoba może wyciągnąć sworzень mocujący siłownik zagłówka poprzez odgięcie sprężyny zabezpieczającej i wyciągnięcie sworznia z siłownika.
3. Opuścić powoli zagłówek.

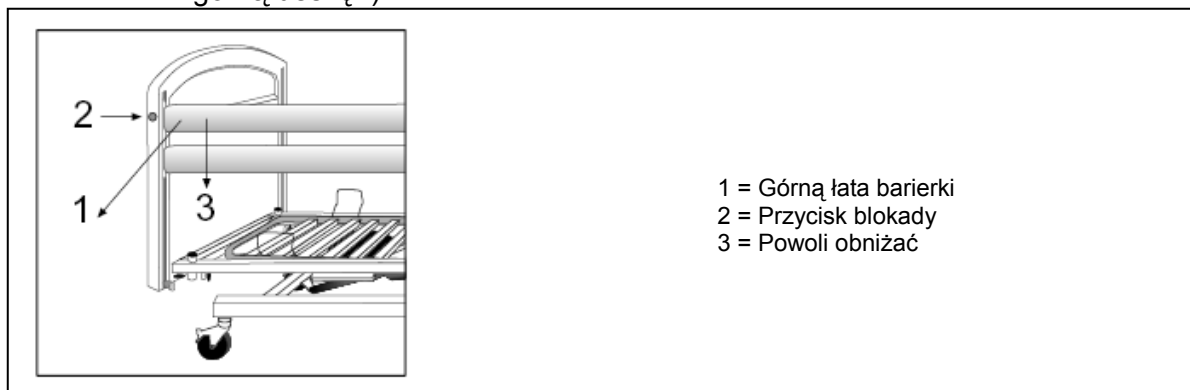


2.6 Barierki

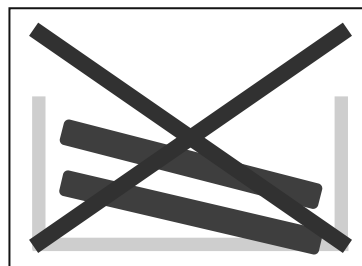
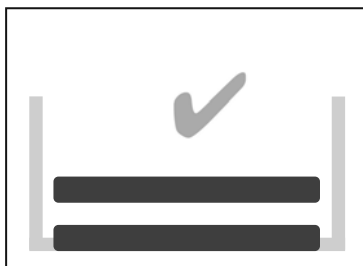
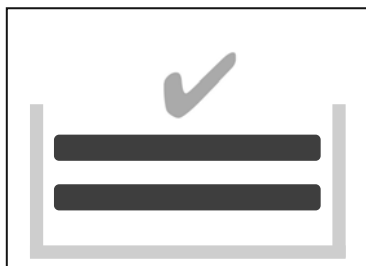
Barierki łóżka są niezależnie opuszczane po obydwu stronach leża.

- **Opuszczanie**

- ⚠ **OSTRZEŻENIE:** Niebezpieczeństwo urazu – zabezpieczyć barierki przed niezamierzonym upadkiem.
 - ⚠ **OSTRZEŻENIE:** Niebezpieczeństwo urazu – sprawdzić, czy żadne przedmioty lub części ciała nie wystają powyżej leża!
 - ⚠ **OSTRZEŻENIE:** Niebezpieczeństwo urazu – jeżeli pacjent nie jest nadzorowany nie obniżać barierek po jednej stronie.
1. Górną łatę barierki lekko podciągnąć do góry
 2. Wcisnąć przycisk ② na panelu zagłówkowym lub podnóżkowym
 3. Powoli opuszczać deski barierki do dołu. (Zawsze należy chwytać tylko za górną deskę !)

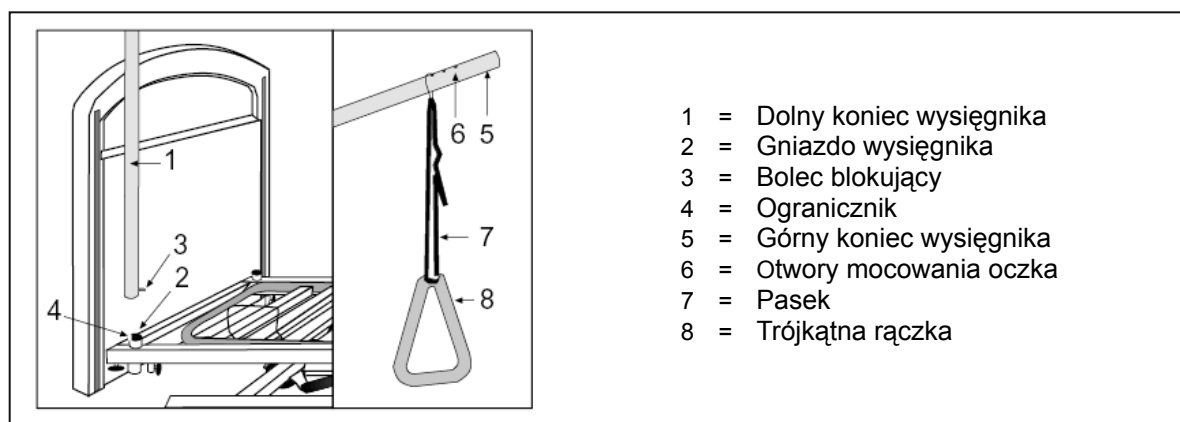


Upewnić się, że funkcje łóżka nie są zaburzone podczas podnoszenia lub obniżania barierki, na przykład przez użycie klinów, w celu zapewnienia bezpieczeństwa pacjenta.



2.7 Wysięgnik

Wysięgnik, jaki jest na wyposażeniu łóżka można zamontować po dowolnej stronie ramy zagłówkowej.



- Dolną rurę wysięgnika (1) umieścić w gnieździe (2) po dowolnej stronie leża.
- Bolec blokujący (3) musi znajdować się w specjalnym ograniczniku (4) wykonanym w gnieździe.
- Nasadzić metalowe oczko zawiesia na górną końcówkę rury wysięgnika (5) i umieścić je w jednym z trzech otworów (6).
- Wyregulować długość paska (7) łączącego oczko z trójkątną rączką (8) stosownie do potrzeb pacjenta i zablokować obraną pozycję.

2.8 Kładzenie się i wstawanie z łóżka

⚠ PRZESTROGA: Ryzyko upadku- Jeśli nie można samemu bezpiecznie położyć się lub wstać z łóżka rehabilitacyjnego, należy poprosić kogoś o pomoc.

1. Zająć pozycję możliwie jak najbliżej łóżka.
2. Sprawdzić czy kółka jezdne są zablokowane.
3. Wyjąć lub złożyć barierki łóżka.
4. Położyć się/wstać z łóżka.

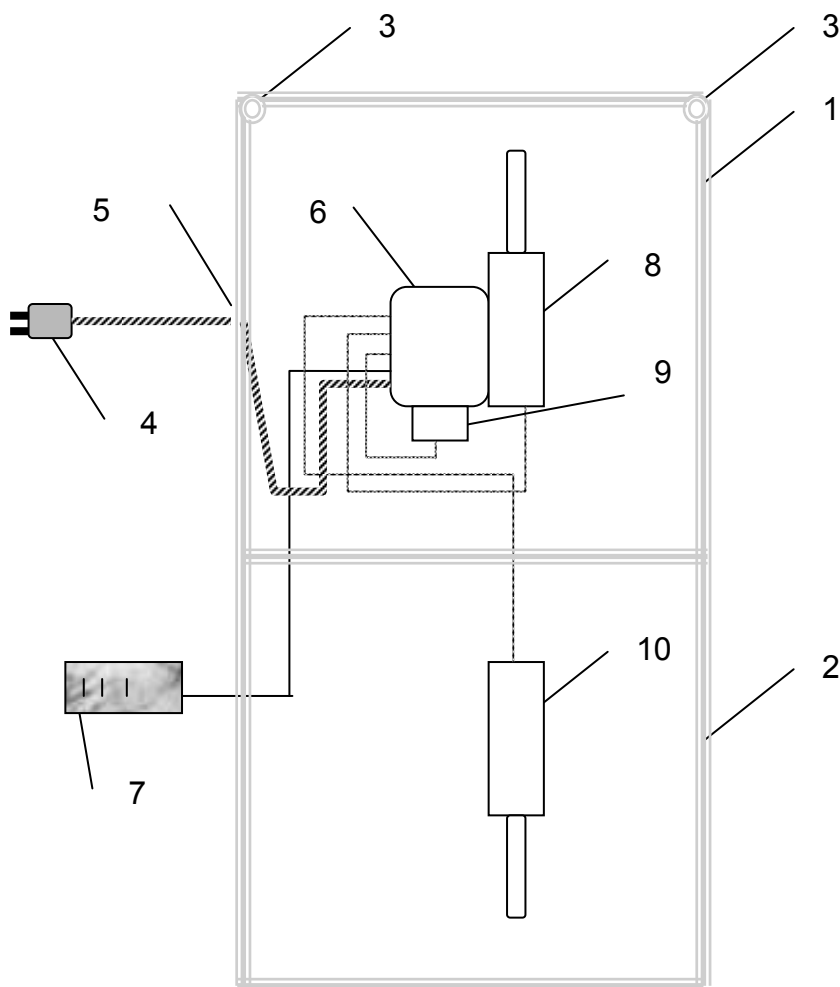
2.9 Przejeżdżanie

⚠ OSTRZEŻENIE: Ryzyko urazu – upewnić się, że łóżko jest prawidłowo umocowane w samochodzie.

⚠ OSTRZEŻENIE: Ryzyko urazu – Transport łóżka może odbywać się wyłącznie bez pacjenta.

W celu uniknięcia uszkodzeń podczas przejeżdżania łóżkiem należy zdemontować wysięgnik. Odłączyć przewód zasilający i zabezpieczyć przewody przed ocieraniem o podłogę.

2.10 Schemat połączenia przewodów



- 1 = Rama leża zagłówkowego
- 2 = Rama leża podnóżkowego
- 3 = Gniazdo wtycznika
- 4 = Przewód prądowy zasilający
- 5 = Adapter mocowania przewodu
- 6 = Transformator / rozdzielacz
- 7 = Pilot
- 8 = Motor zagłówka
- 9 = Motor podnośnika zagłówkowego
- 10 = motor podnośnika podnóżkowego (nie dotyczy modelu Interval 1040 978E)

Nie zgniatać ani nie przytraskiwać przewodów.

3 Montaż i regulacja

Instrukcje zawarte w niniejszym rozdziale są przeznaczone dla wyspecjalizowanego sprzedawcy.

Informacje na temat najbliższych punktów usługowych lub przedstawicieli otrzymać można w najbliższym biurze Vermeiren. Wykaz biur Vermeiren podano na ostatniej stronie.

⚠ OSTRZEŻENIE: Istnieje ryzyko stosowania groźnych dla bezpieczeństwa zakresów - Należy używać wyłącznie zakresów opisanych w niniejszej instrukcji.

3.1 Narzędzia

Do montażu łóżka wymagane są następujące narzędzia.

- Klucz imbusowy
- Śrubokręt

3.2 Sposób dostawy

Dostarczane łóżko Vermeiren Interval będzie zawierało:

1) model Interval typ 1040 90 cm

- Rama podwozia z systemem nożycowym (972) Około 30 kg
- Leże – część podnóżkowa (978E) Około 25 kg
- Leże – część zagłówkowa + transformator i silnik (978E) Około 25 kg
- Drewniane panele (zagłówkowy i podnóżkowy) (965) Około 26 kg
- Barierki (2 x 2 drewniane łąty) (969) Około 11 kg
- Wysięgnik i trójkąt (968) Około 7 kg
- Sterowanie ręczne (z 978E)
- Klucz inbusowy (montażowy) (przy 965)
- Instrukcja obsługi

2) model Interval typ 1042 90 cm

- Rama podwozia z systemem nożycowym (972) Około 30 kg
- Leże – część podnóżkowa + silnik (977E) Około 28 kg
- Leże – część zagłówkowa + transformator i silnik (977E) Około 25 kg
- Drewniane panele (zagłówkowy i podnóżkowy) (965) Około 26 kg
- Barierki (2 x 2 drewniane łąty) (969) Około 11 kg
- Wysięgnik i trójkąt (968) Około 7 kg
- Sterowanie ręczne (z 977E)
- Klucz inbusowy (montażowy) (przy 965)
- Instrukcja obsługi

3) model Interval typ 1042 120 cm

- Rama podwozia z systemem nożycowym (972) Około 35 kg
- Leże – część podnóżkowa + silnik (977E) Około 33 kg
- Leże – część zagłówkowa + transformator i silnik (977E) Około 30 kg
- Drewniane panele (zagłówkowy i podnóżkowy) (965) Około 26 kg
- Barierki (2 x 2 drewniane łąty) (969) Około 11 kg
- Wysięgnik i trójkąt (968) Około 7 kg
- Sterowanie ręczne (z 977E)
- Klucz inbusowy (montażowy) (przy 965)
- Instrukcja obsługi

4) model Interval typ 1042 140 cm

- Rama podwozia z systemem nożycowym (972) Około 40 kg
- Leże – część podnóżkowa + silnik (977E) Około 38 kg
- Leże – część zagłówkowa + transformator i silnik (977E) Około 35 kg
- Drewniane panele (zagłówkowy i podnóżkowy) (965) Około 26 kg
- Barierki (2 x 2 drewniane łąty) (969) Około 11 kg
- Wysięgnik i trójkąt (968) Około 7 kg
- Sterowanie ręczne (z 977E)
- Klucz inbusowy (montażowy) (przy 965)
- Instrukcja obsługi

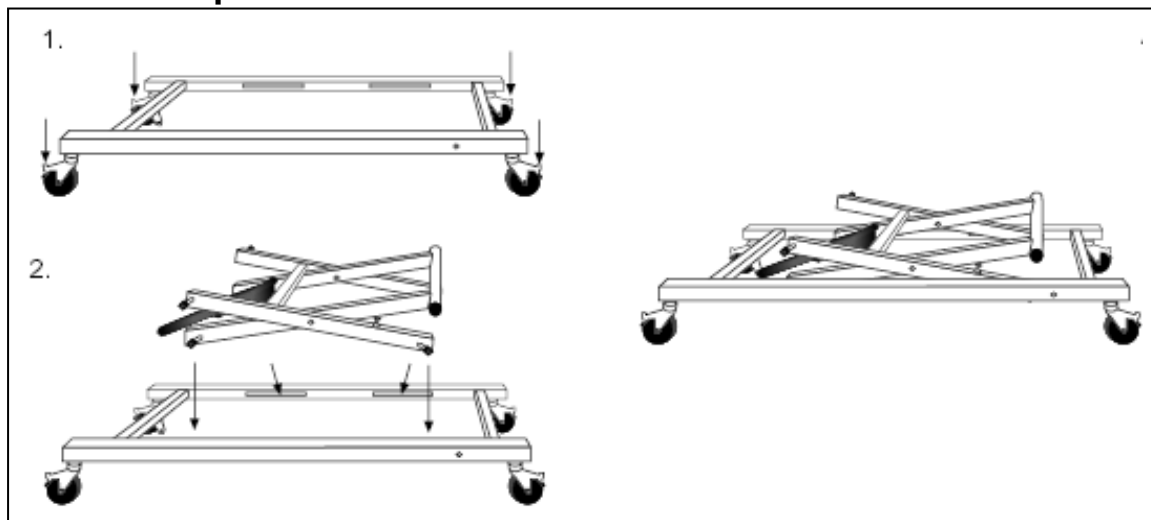
Użytkowanie łóżka złożonego z nieoryginalnych elementów, stosowanie innych systemów napędu itd. DYSKWALIFIKUJE ten wyrób jako łóżko rehabilitacyjne, pozbawia użytkownika gwarancji na wyrób i odpowiedzialności producenta za wszelkie szkody oraz powoduje natychmiastowe anulowanie Deklaracji Zgodności CE.

3.3 Montaż

- ⚠ **PRZESTROGA:** Możliwość przyszcypnięcia – nie wkładać palców pomiędzy elementy łóżka.
- ⚠ **PRZESTROGA:** Ryzyko przytrzaśnięcia – trzymać palce w bezpiecznej odległości od ruchomych części łóżka.

Należy przestrzegać przedstawionej poniżej instrukcji montażu łóżka rehabilitacyjnego.

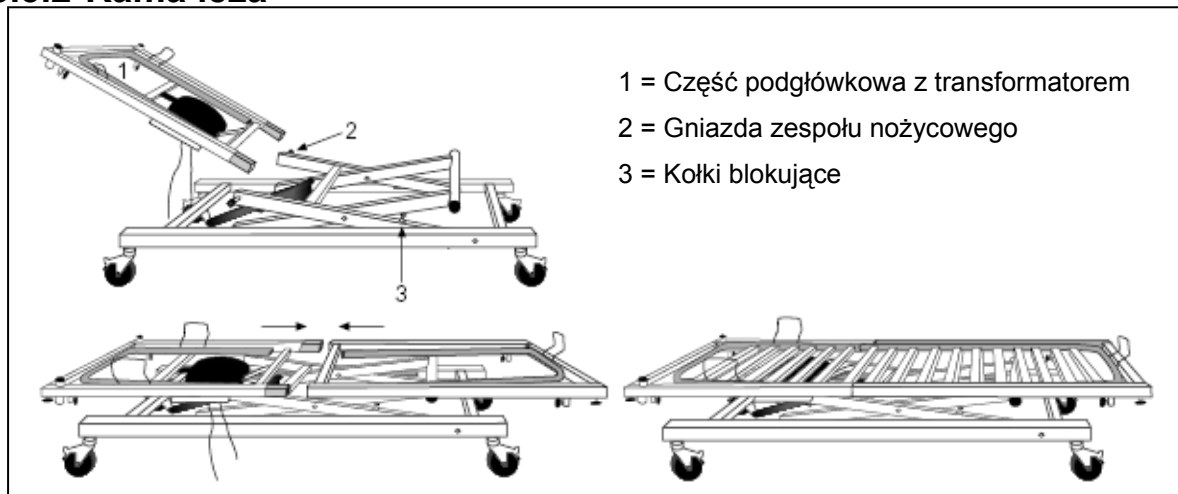
3.3.1 Rama podwozia



1. Ułożyć ramę z kółkami na płaskiej i równej powierzchni i zablokować wszystkie 4 kółka jezdne naciskając stopą na dźwignię.
2. Zespół nożycowy włożyć w taki sposób by kołki blokujące prawidłowo się zatrzasnęły.

Przewody podłączenia motorów chronić przed zmiążdżeniem.

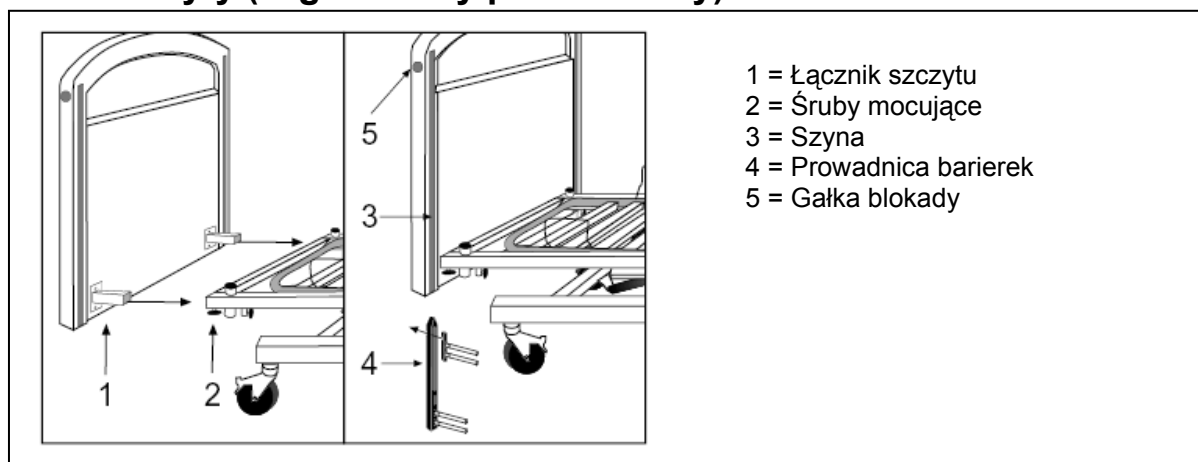
3.3.2 Rama leża



1. Część podgłównowa (z transformatorem) powinna zostać wsunięta do czarnych gniazd zespołu nożycowego. Kołki blokujące leża pełnią funkcję zabezpieczającą.
2. Część podnóżkową z prowadnicami nasunąć na rolki zespołu nożycowego.
3. Połączyć ze sobą sworznie blokujące i zabezpieczyć je na obu końcach śrubami.
4. Ułożyć leża w prowadnicach i delikatnie docisnąć.

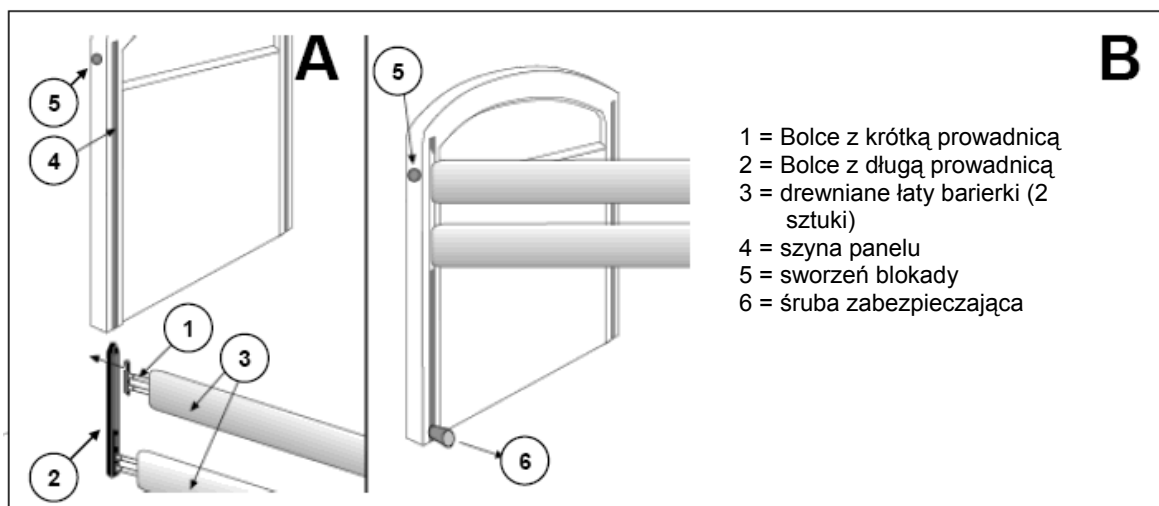
Przewody podłączenia motorów chronić przed zmiążdżeniem.

3.3.3 Szczyty (zagłówkowy/podnóżkowy)



1. Wykorzystując dołączone śruby oraz podkładki przymocować łączniki do szczytów (wstępny montaż).
2. Drewniane szczyty włożyć do końcówek profili leża i dokręcić przy pomocy śrub mocujących.
3. Wsunąć prowadnice barierek ostrym końcem skierowanym ku górze do szyn znajdujących się w zagłówkowi i podnóżku aż do ich całkowitego połączenia.

3.3.4 Barierki



- A.** Do obydwu końców górnej listwy wsunąć bolce z krótką prowadnicą (1). Bolce z długą prowadnicą (2) umieścić na końcach dolnej listwy.

Wsunąć długie prowadnice (2) z dolną listwą po kolei do szyn panelu zagłówkowego i podnóżkowego. Przesunąć całą listwę w górę aż do zatrzaśnięcia. Następnie ponownie odblokować tę prowadnicę aż do końcówki poprzez naciśnięcie przycisku blokady położenia (5) po jednej stronie i pociągnięcie delikatnie w górę górnej listwy.

Przesunąć długą prowadnicę (2) w dół aż do prawie całkowitego jej wysunięcia z szyny. Następnie krótką prowadnicę (1) z drewnianą listwą włożyć pomiędzy ścianki długiej prowadnicy. Trzymając jedynie za górną listwę i ciągnąc w górę wsunąć cały układ prowadnic (1) + (2) do odpowiedniej szyny panelu (4) aż do zablokowania.

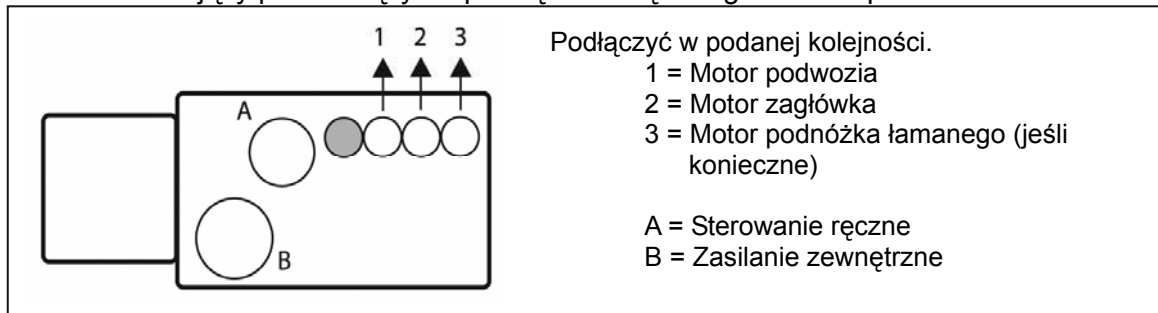
- B.** Włożyć śruby zabezpieczające (6) i ręcznie dokręcić.

3.3.5 Połączenia transformatora

- ⚠ PRZESTROGA: Ryzyko urazu – nie dotykać wtyczki mokrymi rękami.**
⚠ PRZESTROGA: Ryzyko urazu – nie zawieszать żadnych przedmiotów na przewodach zasilających oraz nie dopuszczać do innych mechanicznych naprężeń tych przewodów.

1. Wymagane jest gniazdko sieci elektrycznej o napięciu zasilającym 220V/230V o częstotliwości 50Hz zgodne z VDE.
2. Schemat podłączeń transformatora przedstawiony został na rysunku poniżej:

W celu odłączenia przewodu zasilającego od gniazdka trzymać jedynie za wtyczkę. Przewodu zasilającego nie zapętlać, nie załamywać i nie kłaść na ostrych krawędziach. Przewód zasilający prowadzący do przełącznika ręcznego chronić przed zmiążdżeniem.



4 Konserwacja

Instrukcje dotyczące konserwacji łożka znajdziesz na stronie internetowej firmy Vermeiren: www.vermeiren.pl.

ITALIANO

GARANZIA CONTRATTUALE

La carrozzine manuali sono garantite 5 anni, la carrozzine ultra leggera 4 anni. Le carrozzine elettroniche, tricicli, letti e altri prodotti: 2 anno contro tutti i difetti di costruzione o di materiale (batterie 6 mesi). Multiposizioni 3 anni. Questa garanzia e' limitata alle sostituzioni di parti riconosciute difettose.

CONDIZIONI

Per far valere la garanzia, e' necessario indirizzarla al vostro distributore di fiducia che presentera' al produttore il tagliando.

RISERVE

Questa garanzia non potra' essere applicata nei seguenti casi:

- danno dovuto al cattivo ed improprio utilizzo della carrozzina,
- danno subito durante il trasporto,
- incidente o caduta,
- smontaggio, modifica, o riparazione effettuate in proprio,
- usura abituale della carrozzina,
- invio del tagliando di garanzia con la data di acquisto.



VERMEIREN



**GARANTÍA
GARANTIE
WARRANTY
GARANTIE
GARANZIA**

VERMEIREN GROUP
VERMEIRENPLEIN 1-15
B-2920 Kalmthout
Tel.: 00 32 (0)3 620 20 20
Fax: 00 32 (0)3 666 48 94
www.vermeiren.com

B

Naam/Nom/Name
Name/Nome

Adres/Adresse/Address
Adresse/Indirizzo

Woonplaats/Domicile/Home
Wohnort/Citta

E-mail

Artikel/Article/Article
Artikel/Articolo

Reeks nr./N° de série/Serie nr.
Serien-Nr./No. di serie

Aankoopdatum/Date d'achat/Date of purchase
Kaufdatum/Data di acquisto

Stempel verkoper/Timbre du vendeur
Dealer stamp/Händlerstempel
Timbro del rivenditore

A

Nombre/Nom/Name
Name/Nome

Dirección/Adresse/Address
Adresse/Indirizzo

Ciudad/Domicile/Home
Wohnort/Citta

E-mail

Artículo/Article/Article
Artikel/Articolo

Núm. de serie/N° de série/Serie nr.
Serien-Nr./No. di serie

Fecha de adquisición/Date d'achat/Date of purchase
Kaufdatum/Data di acquisto

Sello del distribuidor /Timbre du vendeur
Dealer stamp/Händlerstempel
Timbro del rivenditore

ESPAÑOL

CONTRATO DE GARANTÍA

Garantía de 5 años para sillas de ruedas estándar. Garantía de 4 años para las sillas de ruedas ligeras. Garantía de 2 años para las sillas de ruedas electrónicas, triciclos, camisas y otros productos. (las baterías tienen una garantía de 6 meses). Garantía de 3 años para las sillas de ruedas multiposición. Esta garantía se limita a la sustitución de las piezas defectuosas o recambios.

CONDICIONES DE APLICACIÓN

Para reclamar esta garantía, debe entregarse a su distribuidor oficial de Vermeiren el apartado "B" de esta tarjeta. La garantía sólo es válida cuando las piezas son sustituidas por Vermeiren Bélgica.

EXCEPCIONES

Esta garantía no es válida en caso de:

- Daños debidos a un uso incorrecto de la silla de ruedas.
- Daños durante el transporte.
- Involucración en un accidente.
- Desmontaje, modificación o reparación que no haya sido realizada por nuestra compañía y / o distribuidor oficial de Vermeiren.
- Desgaste normal de la silla de ruedas.
- Que no se entregue la tarjeta de garantía

FRANCAIS

GARANTIE CONTRACTUELLE

Les fauteuils manuels standard sont garantis 5 ans, les fauteuils ultra légers 4 ans. Les fauteuils électroniques, tricycloès, lits et d'autres produits: 2 ans contre tous vices de construction ou de matériaux (batteries 6 mois).

Cette garantie est expressément limitée au remplacement des éléments ou pièces détachées reconnues défectueuses.

CONDITIONS D'APPLICATION

Pour prétendre à cette garantie, il faut présenter le certificat de garantie que vous avez conservé à votre distributeur Vermeiren. La garantie est uniquement valable au siège de la société.

RESERVES

Cette garantie ne pourra être appliquée en cas de:

- dommage dû à la mauvaise utilisation du fauteuil,
- endommagement pendant le transport,
- accident ou chute,
- démontage, modification ou réparation fait en dehors de notre société,
- usure normale du fauteuil,
- non retour du coupon de garantie.

ENGLISH

CONTRACTUAL WARRANTY

We offer 5 years of warranty on standard wheelchairs, lightweight wheelchairs 4 years. Electronic wheelchairs, tricycles and other products: 2 years (batteries 6 months) and multiposition wheelchairs 3 years. This warranty is limited to the replacement of defective or spare parts.

APPLICATION CONDITIONS

In order to claim its warranty, part "B" of this card has to be given to your official Vermeiren dealer. The warranty is only valid when parts are replaced by Vermeiren in Belgium.

EXCEPTIONS

This warranty is not valid in case of:

- damage due to incorrect usage of the wheelchair,
- damage during transport,
- involvement in an accident,
- a dismount, modification or repair carried outside of our company and/or official Vermeiren dealership,
- normal wear of the wheelchair,
- non-return of the warranty card

DEUTSCH

GARANTIEERKLÄRUNG

Wir garantieren, dass für unsere Rollstühle hochwertige Produkte verwendet werden, die in sorgfältiger Verarbeitung nach dem neuesten Stand der Technik montiert werden. Bevor Ihr Rollstuhl unser Werk verlassen hat, wurde er einer eingehenden Endkontrolle unterzogen, um auch letzte, eventuell vorhandene Mängel aufzuspüren.

Auf Standardrollstühle gewähren wir eine Garantie von 5 Jahren, auf Leichtgewichtsrollstühle 4 Jahre, auf elektronische Rollstühle, Dreiräder, Betten und andere Produkte: 2 Jahre (Batterien 6 Monate), auf Multifunktionsrollstühle 3 Jahre.

In dieser Garantie eingeschlossen sind alle Mängel, die auf einen Produkt- oder Verarbeitungsfehler zurückzuführen sind. Dieser Garantie unterliegen keine Schäden aus unsachgemäßer Benutzung. Ebenfalls sind Verschleißteile von der Garantie ausgenommen.

Sollte einmal der Fall eingetreten sein, dass Sie aus berechtigtem Grunde mit Ihrem Rollstuhl unzufrieden sind, so wenden Sie sich bitte unverzüglich an Ihren Fachhändler. Er wird sich in enger Zusammenarbeit mit uns darum bemühen, eine für Sie zufriedenstellende Lösung zu finden.

A

- Por favor entregue en el plazo de 8 días a partir de la fecha de compra o registre su producto en nuestra página web, <http://www.vermeiren.be/registration>

- à renvoyer dans les 8 jours après achat ou registrar votre produit sur notre site, <http://www.vermeiren.be/registration>

- please return within 8 days of date of purchase or register your product at our website, <http://www.vermeiren.be/registration>

- zurück schicken innerhalb von 8 Tagen nach Kauf oder registrieren Sie Ihr Produkt auf unserer Website, <http://www.vermeiren.be/registration>

- da restituire entro 8 giorni dalla data di acquisto o registrar il vostro prodotto al nostro web site, <http://www.vermeiren.be/registration>

B

- en caso de reparación, por favor, añada el apartado "B".

- en cas de réparation, veuillez ajouter la carte "B".

- in case of repair, please add part "B".

- im Falle einer Reparatur, Karte "B" beifügen

- in case di riparazione, rispediteci la carta "B".

VERMEIREN GROUP
Vermeirenplein 1/15
B-2920 Kalmarhout
BELGIUM





SERVICE

The bed was serviced:
Le lit a été contrôlé:
Het bed is gecontroleerd:

Das Bett wurde überprüft:
Il Letto è stat ispezionata:
La cama ha sido revisada por:
Z łóżka był serwisowany:

Dealer's stamp • Cachet du revendeur • Stempel van de handelaar
Händlerstempel • Timbro del rivenditore • Sello del distribuidor •
Dealerzy pieczęć:

Date • Datum • Data • Fecha:

Dealer's stamp • Cachet du revendeur • Stempel van de handelaar
Händlerstempel • Timbro del rivenditore • Sello del distribuidor •
Dealerzy pieczęć:

Date • Datum • Data • Fecha:

Dealer's stamp • Cachet du revendeur • Stempel van de handelaar
Händlerstempel • Timbro del rivenditore • Sello del distribuidor •
Dealerzy pieczęć:

Date • Datum • Data • Fecha:

Dealer's stamp • Cachet du revendeur • Stempel van de handelaar
Händlerstempel • Timbro del rivenditore • Sello del distribuidor •
Dealerzy pieczęć:

Date • Datum • Data • Fecha:

Dealer's stamp • Cachet du revendeur • Stempel van de handelaar
Händlerstempel • Timbro del rivenditore • Sello del distribuidor •
Dealerzy pieczęć:

Date • Datum • Data • Fecha:

Dealer's stamp • Cachet du revendeur • Stempel van de handelaar
Händlerstempel • Timbro del rivenditore • Sello del distribuidor •
Dealerzy pieczęć:

Date • Datum • Data • Fecha:

Dealer's stamp • Cachet du revendeur • Stempel van de handelaar
Händlerstempel • Timbro del rivenditore • Sello del distribuidor •
Dealerzy pieczęć:

Date • Datum • Data • Fecha:

Dealer's stamp • Cachet du revendeur • Stempel van de handelaar
Händlerstempel • Timbro del rivenditore • Sello del distribuidor •
Dealerzy pieczęć:

Date • Datum • Data • Fecha:

Dealer's stamp • Cachet du revendeur • Stempel van de handelaar
Händlerstempel • Timbro del rivenditore • Sello del distribuidor •
Dealerzy pieczęć:

Date • Datum • Data • Fecha:

Dealer's stamp • Cachet du revendeur • Stempel van de handelaar
Händlerstempel • Timbro del rivenditore • Sello del distribuidor •
Dealerzy pieczęć:

Date • Datum • Data • Fecha:

- For service checklists an additional technical information, please see our specialist dealers nearest to you. More information on our website at: www.vermeiren.com.
- Les listes des contrôles à effectuer lors des entretiens de même que toute autre information technique sont disponibles auprès de nos filiales. Pour de plus amples informations, consultez le site: www.vermeiren.fr.
- Servicelijsten en andere technische informatie kunt u aanvragen bij onze vestigingen. Meer informatie vindt u ook op: www.vermeiren.be.
- Servicechecklisten und weitere technische Informationen erhalten Sie über unsere Niederlassungen. Informationen unter: www.vermeiren.de, www.vermeiren.at, www.vermeiren.ch.
- Gli elenchi di controllo di manutenzione e ulteriori informazioni tecniche sono disponibili presso le nostre filiali. Per informazioni consultare il sito: www.vermeiren.com.
- Para un servicio de revisión o información técnica adicional, por favor, consulte a nuestros distribuidores especialistas más cercanos. Más información en nuestra página web: www.vermeiren.com.
- Po dodatkowe informacje techniczne oraz listę części zamiennych proszę się kontaktować z naszym wyspecjalizowanymi dystrybutorami w pobliżu miejsca zamieszkania. Więcej informacji na naszej stronie www.vermeiren.pl.



Notes

A series of horizontal dotted lines for taking notes.

Belgium

N.V. Vermeiren N.V.

Vermeirenplein 1 / 15
B-2920 Kalmthout
Fax: +32(0)3 666 48 94
website: www.vermeiren.be
e-mail: info@vermeiren.be

France

Vermeiren France S.A.

Z. I., 5, Rue d'Ennevelin
F-59710 Avelin
Tel: +33(0)3 28 55 07 98
Fax: +33(0)3 20 90 28 89
website: www.vermeiren.fr
e-mail: info@vermeiren.fr

Italy

Vermeiren Italia

Viale delle Industrie 5
I-20020 Arese MI
Tel: +39 02 99 77 07
Fax: +39 02 93 58 56 17
website: www.vermeiren.it
e-mail: info@vermeiren.it

Poland

Vermeiren Polska Sp. z o.o

ul. Łączna 1
PL-55-100 Trzebnica
Tel: +48(0)71 387 42 00
Fax: +48(0)71 387 05 74
website: www.vermeiren.pl
e-mail: info@vermeiren.pl

Czech Republic

Vermeiren ČR S.R.O.

Nádražní 132
702 00 Ostrava 1
Tel: +420 596 133 923
Fax: +420 596 121 976
website: www.vermeiren.cz
e-mail: info@vermeiren.cz

Germany

Vermeiren Deutschland GmbH

Wahlerstraße 12 a
D-40472 Düsseldorf
Tel: +49(0)211 94 27 90
Fax: +49(0)211 65 36 00
website: www.vermeiren.de
e-mail: info@vermeiren.de

Austria

Vermeiren Austria GmbH

Schärdinger Strasse 4
A-4061 Pasching
Tel: +43(0)7229 64900
Fax: +43(0)7229 64900-90
website: www.vermeiren.at
e-mail: info@vermeiren.at

Switzerland

Vermeiren Suisse S.A.

Eisenbahnstrasse 62
3645 Gwatt (Thun)
Tel: +41(0)33 335 14 75
Fax: +41(0)33 335 14 67
website: www.vermeiren.ch
e-mail: info@vermeiren.ch

Spain / Portugal

Vermeiren Iberica, S.L.

Carratera de Cartellà, Km 0,5
Sant Gregori Parc Industrial Edifici A
17150 Sant Gregori (Girona)
Tel: +34 972 42 84 33
Fax: +34 972 40 50 54
website: www.vermeiren.es
e-mail: info@vermeiren.es

Manufacturer

Vermeiren GROUP

Vermeirenplein 1 / 15
B-2920 Kalmthout
Tel: +32(0)3 620 20 20
Fax: +32(0)3 666 48 94
website: www.vermeiren.be
e-mail: info@vermeiren.be